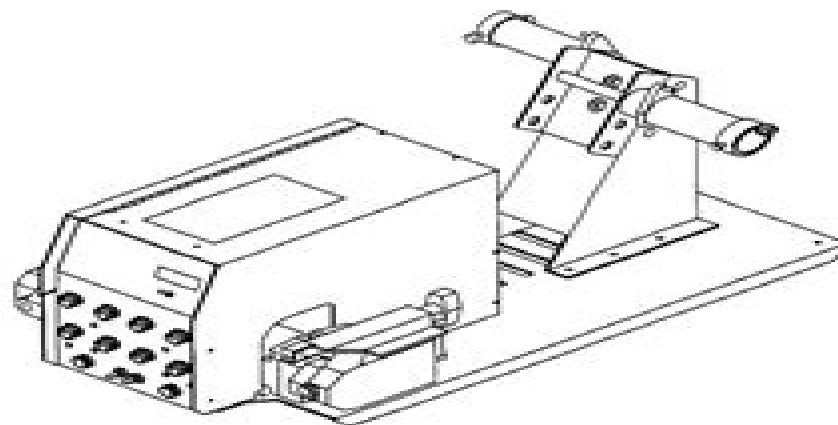




February 1992 FORM: OM-1582A
Effective With Serial No. KC174786

MODEL: D-62
D-64



OWNER'S MANUAL

► **IMPORTANT:** *Read and understand the entire contents of both this manual and the power source manual used with this unit, with special emphasis on the safety material throughout the manual, before installing, operating, or maintaining this equipment. This unit and these instructions are for use only by persons trained and experienced in the safe operation of welding equipment. Do not allow untrained persons to install, operate, or maintain this unit. Contact your distributor if you do not fully understand these instructions.*

MILLER ELECTRIC Mfg. Co.
A Miller Group Ltd. Company

P.O. Box 1079
Appleton, WI 54912 USA
Tel. 414-734-9821

Miller Welder Repair Manual

Puja Mehta



Miller Welder Repair Manual

Welding For Dummies Steven Robert Farnsworth,2010-10-04 Get the know how to weld like a pro Being a skilled welder is a hot commodity in today s job market as well as a handy talent for industrious do it yourself repairpersons and hobbyists *Welding For Dummies* gives you all the information you need to perform this commonly used yet complex task This friendly practical guide takes you from evaluating the material to be welded all the way through the step by step welding process and everything in between Plus you ll get easy to follow guidance on how to apply finishing techniques and advice on how to adhere to safety procedures Explains each type of welding including stick tig mig and fluxcore welding as well as oxyfuel cutting which receives sparse coverage in other books on welding Tips on the best welding technique to choose for a specific project Required training and certification information Whether you have no prior experience in welding or are looking for a thorough reference to supplement traditional welding instruction the easy to understand information in *Welding For Dummies* is the ultimate resource for mastering this intricate skill

Audel Millwrights and Mechanics Guide Thomas B. Davis,Carl A. Nelson,2010-03-22 The hardcover fully updated edition of the only multi craft trade guide Respected by generations of skilled workers *Audel Millwright s and Mechanic s Guide* is the only trade manual to cover maintenance and troubleshooting for all the mechanical trades in a single volume Now available in hardcover it covers the newest equipment on shop floors as well as older machinery sometimes more than 30 years old for which little maintenance and repair information remains available Millwrights mechanics machinists carpenters pipe fitters electricians engineers and those who supervise them will find this book invaluable The only hardcover maintenance and repair manual to cover all the mechanical trades in one guide This updated guide covers new industrial machinery as well as 30 year old equipment for which little information can be found Essential for those who repair machinery as well as machinists carpenters pipe fitters electricians millwrights mechanics engineers mechanical technicians industrial maintenance managers and construction tradespeople This hardcover edition of *Audel Millwright s and Mechanic s Guide* is as valuable to today s skilled workers as previous editions were to their fathers and grandfathers

Audel Welding Pocket Reference James E. Brumbaugh,Rex Miller,2007-03-15 Featuring updated charts dealing with the most common situations welding workers face on the job this comprehensive pocket sized reference is based on recommendations from working professionals and covers welding symbols and definitions types of joints and welds typical welding station configurations oxygen cylinders arc welding charts U S metric measures and more

Welder's Handbook Richard Finch,2007-02-21 A newly updated state of the art guide to MIG and TIG arc welding technology Written by a noted authority in the field this revised edition of HP s bestselling automotive book for over 20 years is a detailed instructional manual on the theory technique equipment and proper procedures of metal inert gas MIG and tungsten inert gas TIG welding

Welding Todd Bridigum,2022-03-22 Expert advice and color photo sequences help young readers and beginners to get started welding safely and with confidence

Rules of Thumb for Mechanical Engineers J. Edward Pope,1997 Fluids Heat transfer Thermodynamics Mechanical seals Pumps and compressors Drivers Gears Bearings Piping and pressure vessels Tribology Vibration Materials Stress and strain Fatigue Instrumentation Engineering economics

Welding Engineering David H. Phillips,2016-02-16 Provides an introduction to all of the important topics in welding engineering It covers a broad range of subjects and presents each topic in a relatively simple easy to understand manner with emphasis on the fundamental engineering principles Comprehensive coverage of all welding engineering topics Presented in a simple easy to understand format Emphasises concepts and fundamental principles

Learn to Weld Stephen Christena,2014 DIVMaster MIG welding and the metal fabrication techniques you need to repair create and duplicate projects in your home welding studio Learn to Weld starts with the basics setting up your studio the right safety gear and safety procedures and the equipment and materials you will need to begin with welding With the help of step by step metalworking photos and tutorials you will learn detailed techniques for cutting and grinding and for joinery using a MIG welder Practice the techniques and projects and you ll soon be able to repair create and duplicate metal fabrication projects in your own welding studio Best of all you will have both the fundamental skills and the confidence you need to create whatever is in your imagination With Learn to Weld you ll be equipped to conquer a world of welding projects div

Eye emergency manual ,2007

Building the Chevy LS Engine HP1559 Mike Mavrigian,2010-12-07 This is an engine rebuilding and modification guide that includes sections on history engine specs disassembly cylinder block and bottom end reconditioning cylinder heads and valvetrain reconditioning balancing step by step engine reassembly torque values and OEM part numbers for the popular Chevy LS series of engines

Oxy-Acetylene Welding Manual Lorn Campbell,2009-12 Many of the earliest books particularly those dating back to the 1900s and before are now extremely scarce and increasingly expensive We are republishing these classic works in affordable high quality modern editions using the original text and artwork

Aws D1. 1/d1. 1m American Welding Society,2020-01-17

Probability and Statistics for Engineering and the Sciences + Enhanced Webassign Access ,2017

Operator, Organizational, Direct and General Support, and Depot Maintenance Manual ,1969

Transformers ,2005 On cover Reclamation Managing Water in the West Describes how transformers work how they are maintained and how to test and evaluate their condition

,

U. S. Navy Underwater Cutting and Welding Manual Naval Sea Systems Command,2002-06-01 Ship Salvage Harbor Clearance and Wreck Removal oftentimes require extensive underwater cutting and welding The lack of recent fleet experience in these areas dictates the need for a manual that incorporates state of the art equipment and tried and proven underwater cutting and welding techniques The knowledge contained in this manual is a collection of fleet and commercial experience It has been reviewed by technical experts with extensive salvage and underwater cutting and welding experience This revision of the Underwater Cutting and Welding Manual has been prepared to provide the most current information on equipment and procedures available All of the equipment covered may not be found on the Diving Equipment Authorized for Navy Use ANU list NAVSEAINST 10560 2 but is included in this manual as an aid to the salvor who finds himself in a must get the job done situation Further guidance can be found in Appendix E Due to limited time allocation there is a lack of realistic underwater cutting and welding training in the Navy s diving schools Students are given only the basics in school and thereafter must practice to become proficient and gain the experience necessary to become qualified underwater cutters and welders I therefore charge all diving officers master divers and diving supervisors to establish or maintain existing training programs for underwater cutting and welding Practice practice practice

Automotive Welding Manual Jay Storer,1995 DIY guide to welding processes and techniques

Welding, Brazing, and Thermal Cutting National Institute for Occupational Safety and Health. Division of Standards Development and Technology Transfer,1988

AWS Certified Welding Supervisor Manual for Quality and Productivity Improvement American Welding Society,Jack R. Barckhoff,Kenneth M. Kerluke,Don L. Lynn,2005-01-01

The book delves into Miller Welder Repair Manual. Miller Welder Repair Manual is a vital topic that must be grasped by everyone, ranging from students and scholars to the general public. This book will furnish comprehensive and in-depth insights into Miller Welder Repair Manual, encompassing both the fundamentals and more intricate discussions.

1. This book is structured into several chapters, namely:
 - Chapter 1: Introduction to Miller Welder Repair Manual
 - Chapter 2: Essential Elements of Miller Welder Repair Manual
 - Chapter 3: Miller Welder Repair Manual in Everyday Life
 - Chapter 4: Miller Welder Repair Manual in Specific Contexts
 - Chapter 5: Conclusion
2. In chapter 1, this book will provide an overview of Miller Welder Repair Manual. The first chapter will explore what Miller Welder Repair Manual is, why Miller Welder Repair Manual is vital, and how to effectively learn about Miller Welder Repair Manual.
3. In chapter 2, this book will delve into the foundational concepts of Miller Welder Repair Manual. The second chapter will elucidate the essential principles that must be understood to grasp Miller Welder Repair Manual in its entirety.
4. In chapter 3, this book will examine the practical applications of Miller Welder Repair Manual in daily life. This chapter will showcase real-world examples of how Miller Welder Repair Manual can be effectively utilized in everyday scenarios.
5. In chapter 4, the author will scrutinize the relevance of Miller Welder Repair Manual in specific contexts. The fourth chapter will explore how Miller Welder Repair Manual is applied in specialized fields, such as education, business, and technology.
6. In chapter 5, this book will draw a conclusion about Miller Welder Repair Manual. This chapter will summarize the key points that have been discussed throughout the book.

This book is crafted in an easy-to-understand language and is complemented by engaging illustrations. It is highly recommended for anyone seeking to gain a comprehensive understanding of Miller Welder Repair Manual.

https://offsite.creighton.edu/public/uploaded-files/index.jsp/Hitler_In_Kimono.pdf

https://offsite.creighton.edu/public/uploaded-files/index.jsp/Helen_Full_Hospital.pdf

https://offsite.creighton.edu/public/uploaded-files/index.jsp/here_i_am_to_worship_lyrics_pdf.pdf

Table of Contents Miller Welder Repair Manual

1. Understanding the eBook Miller Welder Repair Manual
 - The Rise of Digital Reading Miller Welder Repair Manual
 - Advantages of eBooks Over Traditional Books
2. Identifying Miller Welder Repair Manual
 - Exploring Different Genres
 - Considering Fiction vs. Non-Fiction
 - Determining Your Reading Goals
3. Choosing the Right eBook Platform
 - Popular eBook Platforms
 - Features to Look for in an Miller Welder Repair Manual
 - User-Friendly Interface
4. Exploring eBook Recommendations from Miller Welder Repair Manual
 - Personalized Recommendations
 - Miller Welder Repair Manual User Reviews and Ratings
 - Miller Welder Repair Manual and Bestseller Lists
5. Accessing Miller Welder Repair Manual Free and Paid eBooks
 - Miller Welder Repair Manual Public Domain eBooks
 - Miller Welder Repair Manual eBook Subscription Services
 - Miller Welder Repair Manual Budget-Friendly Options
6. Navigating Miller Welder Repair Manual eBook Formats
 - ePub, PDF, MOBI, and More
 - Miller Welder Repair Manual Compatibility with Devices
 - Miller Welder Repair Manual Enhanced eBook Features
7. Enhancing Your Reading Experience
 - Adjustable Fonts and Text Sizes of Miller Welder Repair Manual
 - Highlighting and Note-Taking Miller Welder Repair Manual
 - Interactive Elements Miller Welder Repair Manual
8. Staying Engaged with Miller Welder Repair Manual

- Joining Online Reading Communities
 - Participating in Virtual Book Clubs
 - Following Authors and Publishers Miller Welder Repair Manual
9. Balancing eBooks and Physical Books Miller Welder Repair Manual
- Benefits of a Digital Library
 - Creating a Diverse Reading Collection Miller Welder Repair Manual
10. Overcoming Reading Challenges
- Dealing with Digital Eye Strain
 - Minimizing Distractions
 - Managing Screen Time
11. Cultivating a Reading Routine Miller Welder Repair Manual
- Setting Reading Goals Miller Welder Repair Manual
 - Carving Out Dedicated Reading Time
12. Sourcing Reliable Information of Miller Welder Repair Manual
- Fact-Checking eBook Content of Miller Welder Repair Manual
 - Distinguishing Credible Sources
13. Promoting Lifelong Learning
- Utilizing eBooks for Skill Development
 - Exploring Educational eBooks
14. Embracing eBook Trends
- Integration of Multimedia Elements
 - Interactive and Gamified eBooks

Miller Welder Repair Manual Introduction

Free PDF Books and Manuals for Download: Unlocking Knowledge at Your Fingertips In today's fast-paced digital age, obtaining valuable knowledge has become easier than ever. Thanks to the internet, a vast array of books and manuals are now available for free download in PDF format. Whether you are a student, professional, or simply an avid reader, this treasure trove of downloadable resources offers a wealth of information, conveniently accessible anytime, anywhere. The advent of online libraries and platforms dedicated to sharing knowledge has revolutionized the way we consume information. No longer confined to physical libraries or bookstores, readers can now access an extensive collection of digital books and

manuals with just a few clicks. These resources, available in PDF, Microsoft Word, and PowerPoint formats, cater to a wide range of interests, including literature, technology, science, history, and much more. One notable platform where you can explore and download free Miller Welder Repair Manual PDF books and manuals is the internet's largest free library. Hosted online, this catalog compiles a vast assortment of documents, making it a veritable goldmine of knowledge. With its easy-to-use website interface and customizable PDF generator, this platform offers a user-friendly experience, allowing individuals to effortlessly navigate and access the information they seek. The availability of free PDF books and manuals on this platform demonstrates its commitment to democratizing education and empowering individuals with the tools needed to succeed in their chosen fields. It allows anyone, regardless of their background or financial limitations, to expand their horizons and gain insights from experts in various disciplines. One of the most significant advantages of downloading PDF books and manuals lies in their portability. Unlike physical copies, digital books can be stored and carried on a single device, such as a tablet or smartphone, saving valuable space and weight. This convenience makes it possible for readers to have their entire library at their fingertips, whether they are commuting, traveling, or simply enjoying a lazy afternoon at home. Additionally, digital files are easily searchable, enabling readers to locate specific information within seconds. With a few keystrokes, users can search for keywords, topics, or phrases, making research and finding relevant information a breeze. This efficiency saves time and effort, streamlining the learning process and allowing individuals to focus on extracting the information they need. Furthermore, the availability of free PDF books and manuals fosters a culture of continuous learning. By removing financial barriers, more people can access educational resources and pursue lifelong learning, contributing to personal growth and professional development. This democratization of knowledge promotes intellectual curiosity and empowers individuals to become lifelong learners, promoting progress and innovation in various fields. It is worth noting that while accessing free Miller Welder Repair Manual PDF books and manuals is convenient and cost-effective, it is vital to respect copyright laws and intellectual property rights. Platforms offering free downloads often operate within legal boundaries, ensuring that the materials they provide are either in the public domain or authorized for distribution. By adhering to copyright laws, users can enjoy the benefits of free access to knowledge while supporting the authors and publishers who make these resources available. In conclusion, the availability of Miller Welder Repair Manual free PDF books and manuals for download has revolutionized the way we access and consume knowledge. With just a few clicks, individuals can explore a vast collection of resources across different disciplines, all free of charge. This accessibility empowers individuals to become lifelong learners, contributing to personal growth, professional development, and the advancement of society as a whole. So why not unlock a world of knowledge today? Start exploring the vast sea of free PDF books and manuals waiting to be discovered right at your fingertips.

FAQs About Miller Welder Repair Manual Books

What is a Miller Welder Repair Manual PDF? A PDF (Portable Document Format) is a file format developed by Adobe that preserves the layout and formatting of a document, regardless of the software, hardware, or operating system used to view or print it. **How do I create a Miller Welder Repair Manual PDF?** There are several ways to create a PDF: Use software like Adobe Acrobat, Microsoft Word, or Google Docs, which often have built-in PDF creation tools. Print to PDF: Many applications and operating systems have a "Print to PDF" option that allows you to save a document as a PDF file instead of printing it on paper. Online converters: There are various online tools that can convert different file types to PDF. **How do I edit a Miller Welder Repair Manual PDF?** Editing a PDF can be done with software like Adobe Acrobat, which allows direct editing of text, images, and other elements within the PDF. Some free tools, like PDFescape or Smallpdf, also offer basic editing capabilities. **How do I convert a Miller Welder Repair Manual PDF to another file format?** There are multiple ways to convert a PDF to another format: Use online converters like Smallpdf, Zamzar, or Adobe Acrobats export feature to convert PDFs to formats like Word, Excel, JPEG, etc. Software like Adobe Acrobat, Microsoft Word, or other PDF editors may have options to export or save PDFs in different formats. **How do I password-protect a Miller Welder Repair Manual PDF?** Most PDF editing software allows you to add password protection. In Adobe Acrobat, for instance, you can go to "File" -> "Properties" -> "Security" to set a password to restrict access or editing capabilities. Are there any free alternatives to Adobe Acrobat for working with PDFs? Yes, there are many free alternatives for working with PDFs, such as: LibreOffice: Offers PDF editing features. PDFsam: Allows splitting, merging, and editing PDFs. Foxit Reader: Provides basic PDF viewing and editing capabilities. How do I compress a PDF file? You can use online tools like Smallpdf, ILovePDF, or desktop software like Adobe Acrobat to compress PDF files without significant quality loss. Compression reduces the file size, making it easier to share and download. Can I fill out forms in a PDF file? Yes, most PDF viewers/editors like Adobe Acrobat, Preview (on Mac), or various online tools allow you to fill out forms in PDF files by selecting text fields and entering information. Are there any restrictions when working with PDFs? Some PDFs might have restrictions set by their creator, such as password protection, editing restrictions, or print restrictions. Breaking these restrictions might require specific software or tools, which may or may not be legal depending on the circumstances and local laws.

Find Miller Welder Repair Manual :

[hitler in kimono](#)

[helen full hospital](#)

[here i am to worship lyrics pdf](#)

[hayward pool filter settings](#)

hoa budget template google sheets

[heather graham christian](#)

[hess law lab report](#)

[henrietta lacks high school](#)

health and physical education praxis 5857

[healthy cleanses to jumpstart weight loss](#)

[histology courses near me](#)

[holy moly mac n cheese](#)

[history of the f4u corsair](#)

high school reading assessment pdf

[hayward pool pump how to vacuum](#)

Miller Welder Repair Manual :

User manual Altec Lansing IMT810 (English - 92 pages) Manual. View the manual for the Altec Lansing IMT810 here, for free. This manual comes under the category cradles & docking stations and has been rated by 2 ... ALTEC LANSING MIX iMT810 User Manual This Altec Lansing speaker system is compatible with all iPhone and iPod models. Please carefully read this User Guide for instructions on setting up and using ... Altec Lansing Docking speakers user manuals download Download Altec Lansing Docking speakers user manuals PDF. Browse online operating user's guides, owner's manual for Altec Lansing Docking speakers free. Altec Lansing IMT810 User Guide - manualzz.com View online(92 pages) or download PDF(16.73 MB) Altec Lansing IMT810 User guide • IMT810 docking speakers pdf manual download and more Altec Lansing online ... Altec Lansing user manuals download Download Altec Lansing user manuals, owners guides and PDF instructions. Altec Lansing manuals Altec Lansing IMT810. manual92 pages. Altec Lansing MZX857 ... use your Altec Lansing headset, refer to the user manual. Earphones: True ... Altec Lansing IMT800 User Manual This Altec Lansing speaker system is compatible with all iPhone and iPod models. Please carefully read this User Guide for instructions on setting up and using ... Altec Lansing MIX BoomBox - IMT810 Altec Lansing MIX BoomBox - IMT810; Clip-on Full Feature Remote; 2 x AUX Cables; Miscellaneous Adapters for iPhone & iPod; AC Adapter; User's Guide; Quick ... Altec Lansing Mini Life Jacket 2 user manual (English User manual. View the manual for the Altec Lansing Mini Life Jacket 2 here, for free. This manual comes under the category cradles & docking stations and ... Have an Altec Lansing IMT810 MIX boombox that suddenly ... Jun 26, 2016 — With no firmware source and the challenge of getting hold of a one-time-use flashing jig, then no possible course of action. Of course

a ... MILITARY FOOD ENGINEERING and RATION ... Performance Optimization research seeks to identify and validate, through sound science, dietary supplements and phytonutrients, as well as incorporation in ... Military Food Engineering and Ration Technology Systematic synthesis of U.S. military's food product development, processing, packaging, testing, and distribution methods; Provides technical data for ... Military Food Engineering and Ration Technology The book offers new data on numerous technologies used to solve problems such as nutrient densification, lightweighting, novel thermal processing, and long-term ... Military Food Engineering and Ration Technology Systematic synthesis of U.S. military's food product development, processing, packaging, testing, and distribution methods Provides technical data for ... Military Food Engineering and Ration Technology The new Food Acceptance Branch revolutionized sensory and consumer research on military rations. Details are provided on concepts and methods for testing ... Military food engineering and ration technology Military food engineering and ration technology · Combat Feeding Directorate (U.S.) · Food engineers · Food engineers United States · Operational rations (... Military Food Engineering and Ration Technology The book offers new data on numerous technologies used to solve problems such as nutrient densification, lightweighting, novel thermal processing, and long-term ... Military Food Engineering and Ration Technology [Hardback] The book offers new data on numerous technologies used to solve problems such as nutrient densification, lightweighting, novel thermal processing, and long-term ... Military Food Engineering and Ration Technology Systematic synthesis of U.S. military's food product development, processing, packaging, testing, and distribution methods · Provides technical data for ... Military Food Engineering and Ration Technology Military Food Engineering and Ration Technology · 1. An Overview of U.S. Military Field Feeding and Combat Rations · 2. Thermal Processing of Rations · 3. Emerging ... (PDF) Mini Case Solutions | jie li Mini Case Solutions CHAPTER 2 CASH FLOWS AND FINANCIAL STATEMENTS AT NEPEAN BOARDS Below are the financial statements that you are asked to prepare. 1. Chapter 5 Mini-case Solutions - Warning: TT Chapter 5 Mini-case Solutions · 1. Deloitte Enterprise Value Map. Financial Management I None · 9. Business Forecasts Are Reliably Wrong — Yet Still Valuable. Chapter 9 Mini Case from Financial Management Theory ... Apr 4, 2020 — To help you structure the task, Leigh Jones has asked you to answer the following questions: a. (1) What sources of capital should be included ... Mini Case 1.docx - Samara Ferguson October 22 2018 FIN ... Mini Case on pages 55-56 in Financial Management: Theory and Practice. Using complete sentences and academic vocabulary, please answer questions a through d. Solved Chapter 10 Mini Case from Financial Management Oct 29, 2020 — Business · Finance · Finance questions and answers · Chapter 10 Mini Case from Financial Management: Theory's and Practice 16th edition You have ... Prasanna Chandra Financial Management Mini Case ... Management Mini Case Solutions. Prasanna Chandra Financial Management Mini Case Solutions. Download. d0d94e66b7. Page updated. Report abuse. mini case Ch1 - Finance Management Course Financial Management: Theory and Practice Twelfth Edition Eugene F. Brigham and Michael C. Ehrhardt mini case (p.45) assume that you recently graduated

and ... Mini Case 2 Solutions - FNCE 4305 Global Financial... View Homework Help - Mini Case 2 Solutions from FNCE 4305 at University Of Connecticut. FNCE 4305 Global Financial Management Fall 2014 Mini Case 2 ... Prasanna Chandra Financial Management Mini Case ... Prasanna Chandra Financial Management Mini Case Solutions PDF ; Original Title. Prasanna_Chandra_Financial_Management_Mini_Case_Solutions.pdf ; Copyright. © © All ... Financial Management Mini Case Case Study Feb 16, 2023 — Firstly, there has to be an agent acting on behalf of the principal. Secondly, the interests of the principal and the agent must be different.