

Bookmarks

- fwd
 - Exit
 - QUICK REFERENCE INDEX
 - FOREWORD
 - A: GENERAL INFORMATION
 - GI - General Information
 - B: ENGINE
 - EM - Engine Mechanical
 - LU - Engine Lubrication System
 - CO - Engine Cooling System
 - EC - Engine Control System
 - FL - Fuel System
 - EX - Exhaust System
 - ACC - Accelerator Control System

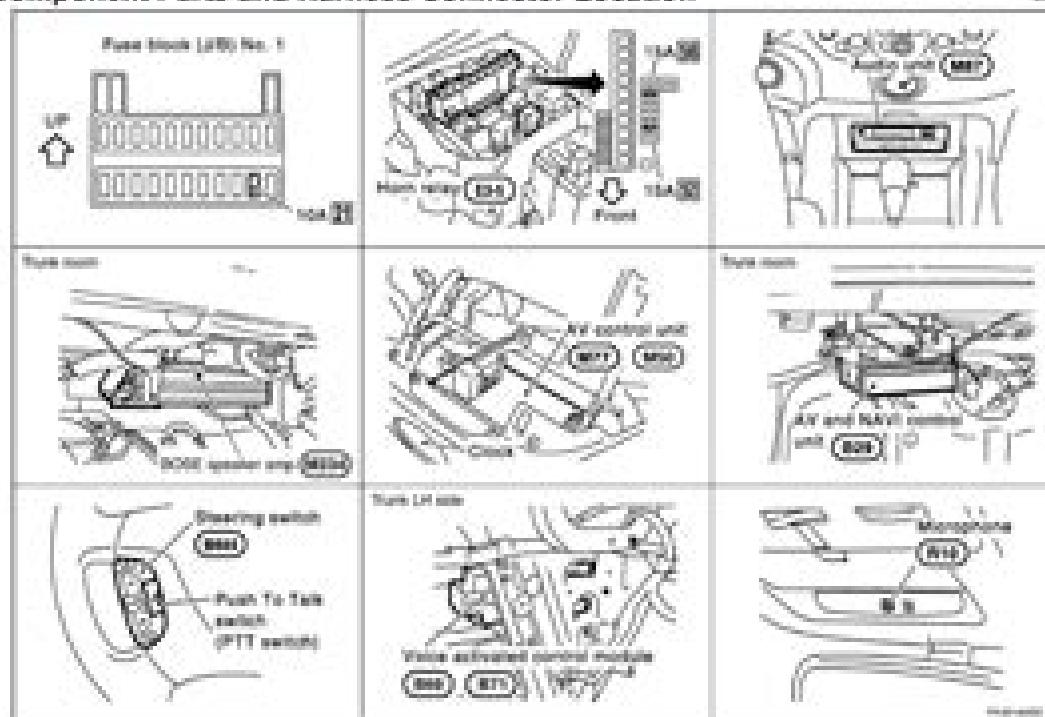
VOICE ACTIVATED CONTROL SYSTEM

AV COMMUNICATION LINE

Voice activated control module is connected to the following units through AV communication line. Each unit transmits/receives data with AV communication line.

- AV and NAVI control unit (with NAVI)
- AV control unit (without NAVI)
- Display
- Audio unit
- Multifunction switch

Component Parts and Harness Connector Location



2005 Infiniti Q45 Owners Manual

ML Yell



2005 Infiniti Q45 Owners Manual

Infiniti Q45 Body Repair Manual Nissan Jidōsha Kabushiki Kaisha,1989 [Infiniti Q45 1994](#) ,1994 *Infiniti Q45 1993* ,1992 **Infiniti Q45 1991** ,1989 **Infiniti Q45 1995** ,1994 *Infiniti Q45 1992* ,1991 [2018 Audi A5 Owner Manual Compatible with OEM Owners Manual, Factory Glovebox Book](#) Helming,2018-08-12 *Chilton's Nissan 350Z & Infiniti G35 2003-08 Repair Manual* Jay Storer,2008 Covers U S and Canadian models of Nissan 350Z Infiniti G35 Does not include Infiniti G37 models **2019 Audi A5 Owner Manual Compatible with OEM Owners Manual, Factory Glovebox Book** Helming,2019-09-30 **2016 Audi Q7 Owner Manual Compatible with OEM Owners Manual, Factory Glovebox Book** Helming,2016-03-10 **2022 Audi Q8 Owner Manual Compatible with OEM Owners Manual, Factory Glovebox Book** Helming,2021-12-09 **2021 Audi A5 Owner Manual Compatible with OEM Owners Manual, Factory Glovebox Book** Helming,2021-03-09 [2019 Cadillac XT5 Owner Manual Compatible with OEM Owners Manual, Factory Glovebox Book](#) Helming,2019-02-08 **2017 Audi Q7 Owner Manual Compatible with OEM Owners Manual, Factory Glovebox Book** Helming,2017-09-20 **2022 Audi A7 Owner Manual Compatible with OEM Owners Manual, Factory Glovebox Book** Helming,2021-12-15 *2020 Acura ILX Owner Manual Compatible with OEM Owners Manual, Factory Glovebox Book* Helming,2020-07-07 *2017 Audi A4 - Owner Manual Compatible with OEM Owners Manual, Factory Glovebox Book* Helming,2017-04-26 [Owners manual](#) Chrysler Corporation,1953 **2023 Cadillac XT5 Owner Manual Compatible with OEM Owners Manual, Factory Glovebox Book** Helming,2023-03-07 [Fundamentals of Actuarial Mathematics](#) S. David Promislow,2011-01-06 This book provides a comprehensive introduction to actuarial mathematics covering both deterministic and stochastic models of life contingencies as well as more advanced topics such as risk theory credibility theory and multi state models This new edition includes additional material on credibility theory continuous time multi state models more complex types of contingent insurances flexible contracts such as universal life the risk measures VaR and TVaR Key Features Covers much of the syllabus material on the modeling examinations of the Society of Actuaries Canadian Institute of Actuaries and the Casualty Actuarial Society SOA CIA exams MLC and C CSA exams 3L and 4 Extensively revised and updated with new material Orders the topics specifically to facilitate learning Provides a streamlined approach to actuarial notation Employs modern computational methods Contains a variety of exercises both computational and theoretical together with answers enabling use for self study An ideal text for students planning for a professional career as actuaries providing a solid preparation for the modeling examinations of the major North American actuarial associations Furthermore this book is highly suitable reference for those wanting a sound introduction to the subject and for those working in insurance annuities and pensions

... by NYC Civil Service Exam Secrets Test Prep Team Our Environmental Police Officer Exam study guide contains easy-to-read essential summaries that highlight the key areas of the Environmental Police Officer ... Entry-Level Police Officer Series Environmental Conservation Police Officer Trainee only): These questions test for basic practical knowledge ... Study and review this guide to familiarize ... Environmental Police Officer WHAT THE JOB INVOLVES: Environmental Police Officers perform and supervise staff performing duties involved in protecting the. New York City Environmental Police Officer Exam Review ... This research and experience allow us to create guides that are current and reflect the actual exam questions on the NYC Environmental Police Officer Exam ... U:\USEG\Environmental Police Officer\ ... THE TEST SCHEDULE: The testing period for Environmental Police Officer is anticipated to be held throughout ... Special Circumstances Guide: This guide is located ... Environmental Conservation Police Officer - NYDEC Candidates who successfully pass the Physical Ability Testing phase will undergo a rigorous background investigation, psychological exam, medical exam, and ... Environmental Police Officer Exam 3030 They're full law enforcement officers with a focus on wildlife, hunting, and environmental regulation. Upvote 1 OASys - Exams - NYC.gov ENVIRONMENTAL POLICE OFFICER. Promotion 9. Exam #, Title. 4503, ADMINISTRATIVE HOUSING SUPERINTENDENT (PROM). 4505, ADMINISTRATIVE PARK AND RECREATION MANAGER ... Becoming an Environmental Conservation Police Officer To be considered for a position as an ECO, candidates must also pass medical physicals, psychological screening, and physical agility tests. Once all the ... H:\EPO NOE July 2017\Environmental Poice Officer ... Mar 27, 2019 — nonrefundable. THE TEST SCHEDULE: Testing for the title of Environmental Police Officer is anticipated to be held throughout ... Guide: This guide ... Drew Magary - The Postmortal Jul 16, 2018 — Drew Magary - The Postmortal ; Publication date: 2011-08-30 ; Topics: postmortal, drew, magary, science fiction, science, fiction, sci-fi, pdf. The Postmortal: A Novel eBook : Magary, Drew: Kindle Store •Finalist for the Philip K. Dick and Arthur C. Clarke Awards • The gripping first novel by Drew Magary, author of The Hike and The Night the Lights Went Out Pdf(readonline) The Postmortal Aug 23, 2022 — Drew Magary, author of The Hike and The Night the Lights Went Out ... - The Postmortal Publishing E-BOOK Online. - The Postmortal ... Full text of "Drew Magary - The Postmortal" Full text of "Drew Magary - The Postmortal". See other formats. THE POSTMORTAL { A NOVEL] Drew Mag ary p r4 5□. flsgh i THE POSTMORTAL { A NOVEL) Drew ... The Postmortal by Drew Magary Witty, eerie, and full of humanity, The Postmortal is an unforgettable thriller that envisions a pre-apocalyptic world so real that it is completely terrifying. The Postmortal by Drew Magary Finalist for the Philip K. Dick and Arthur C. Clarke Awards • The gripping first novel by Drew Magary, author of The Hike and The Night the Lights Went Out The postmortal by Drew Magary The postmortal by Drew Magary, 2011, Penguin Books edition, in English. The Postmortal by Drew Magary: 9780143119821 “The first novel from a popular sports blogger and humorist puts a darkly comic spin on a science fiction premise and hits the sweet spot between Margaret ... The Postmortal The gripping first novel by Drew Magary, author of The Hike and The Night the Lights Went Out "An exciting

page turner. . . . Drew Magary is an excellent writer ... Publication: The Postmortal Drew Magary; Date: 2011-08-30; ISBN: 978-1-101-54374-0 [1-101-54374-4]; Publisher: Penguin Books (US); Price: \$12.99 ?\$: US dollar. Format: ebook ?Used for all ... Solution Manual for Exercises for Weather and Climate Solution Manual for Exercises for Weather and Climate. 8th Edition by Carbone. ISBN 0321769651 9780321769657. Full link download Solution Manual: 8th Std - Social - Weather and Climate | Book Back Exercise Weather and Climate Science Unit Test Key DIRECTIONS: FOR EACH QUESTION, CIRCLE THE BEST ANSWER AMONG THE FOUR CHOICES ... Climate and weather are not different. b. Weather is the accumulation of climate ... 8th grade - Weather and Climate | 274 plays 8th grade - Weather and Climate quiz for 3rd grade students. Find other quizzes for and more on Quizizz for free! Atmosphere, Weather and Climate by RG Barry · Cited by 2686 — This revised and expanded eighth edition of Atmosphere, Weather and Climate will prove invaluable to all those studying the earth's ... Weather vs. Climate Many people believe that weather and climate are interchangeable words for the same definition. They actually have very different meanings! Solutions for Exercises for Weather & Climate (9th Edition) Exercises for Weather & Climate encourages readers to review important ideas and concepts of meteorology through problem solving, simulations, and guided ... Weather and Climate | Science Color By Number Engage your students in a review of the differences between weather and climate with this 12 question color by numbers activity. Weather - bearkatsonline.com | ... Weather and Climate. Unauthorized usage should be reported to the copyright holder below. Eighth Edition 2017. The START Group. Copyright 2017 by The START ...

Reviewing **2005 Infiniti Q45 Owners Manual**: Unlocking the Spellbinding Force of Linguistics

In a fast-paced world fueled by information and interconnectivity, the spellbinding force of linguistics has acquired newfound prominence. Its capacity to evoke emotions, stimulate contemplation, and stimulate metamorphosis is truly astonishing. Within the pages of "**2005 Infiniti Q45 Owners Manual**," an enthralling opus penned by a highly acclaimed wordsmith, readers embark on an immersive expedition to unravel the intricate significance of language and its indelible imprint on our lives. Throughout this assessment, we shall delve to the book is central motifs, appraise its distinctive narrative style, and gauge its overarching influence on the minds of its readers.

https://offsite.creighton.edu/files/virtual-library/Documents/new_orleans_bordelaise.pdf

https://offsite.creighton.edu/files/virtual-library/Documents/ncp_for_obesity.pdf

https://offsite.creighton.edu/files/virtual-library/Documents/neem_en_espanol.pdf

Table of Contents 2005 Infiniti Q45 Owners Manual

1. Understanding the eBook 2005 Infiniti Q45 Owners Manual
 - The Rise of Digital Reading 2005 Infiniti Q45 Owners Manual
 - Advantages of eBooks Over Traditional Books
2. Identifying 2005 Infiniti Q45 Owners Manual
 - Exploring Different Genres
 - Considering Fiction vs. Non-Fiction
 - Determining Your Reading Goals
3. Choosing the Right eBook Platform
 - Popular eBook Platforms

- Features to Look for in an 2005 Infiniti Q45 Owners Manual
- User-Friendly Interface
- 4. Exploring eBook Recommendations from 2005 Infiniti Q45 Owners Manual
 - Personalized Recommendations
 - 2005 Infiniti Q45 Owners Manual User Reviews and Ratings
 - 2005 Infiniti Q45 Owners Manual and Bestseller Lists
- 5. Accessing 2005 Infiniti Q45 Owners Manual Free and Paid eBooks
 - 2005 Infiniti Q45 Owners Manual Public Domain eBooks
 - 2005 Infiniti Q45 Owners Manual eBook Subscription Services
 - 2005 Infiniti Q45 Owners Manual Budget-Friendly Options
- 6. Navigating 2005 Infiniti Q45 Owners Manual eBook Formats
 - ePub, PDF, MOBI, and More
 - 2005 Infiniti Q45 Owners Manual Compatibility with Devices
 - 2005 Infiniti Q45 Owners Manual Enhanced eBook Features
- 7. Enhancing Your Reading Experience
 - Adjustable Fonts and Text Sizes of 2005 Infiniti Q45 Owners Manual
 - Highlighting and Note-Taking 2005 Infiniti Q45 Owners Manual
 - Interactive Elements 2005 Infiniti Q45 Owners Manual
- 8. Staying Engaged with 2005 Infiniti Q45 Owners Manual
 - Joining Online Reading Communities
 - Participating in Virtual Book Clubs
 - Following Authors and Publishers 2005 Infiniti Q45 Owners Manual
- 9. Balancing eBooks and Physical Books 2005 Infiniti Q45 Owners Manual
 - Benefits of a Digital Library
 - Creating a Diverse Reading Collection 2005 Infiniti Q45 Owners Manual
- 10. Overcoming Reading Challenges
 - Dealing with Digital Eye Strain
 - Minimizing Distractions
 - Managing Screen Time
- 11. Cultivating a Reading Routine 2005 Infiniti Q45 Owners Manual

- Setting Reading Goals 2005 Infiniti Q45 Owners Manual
- Carving Out Dedicated Reading Time
- 12. Sourcing Reliable Information of 2005 Infiniti Q45 Owners Manual
 - Fact-Checking eBook Content of 2005 Infiniti Q45 Owners Manual
 - Distinguishing Credible Sources
- 13. Promoting Lifelong Learning
 - Utilizing eBooks for Skill Development
 - Exploring Educational eBooks
- 14. Embracing eBook Trends
 - Integration of Multimedia Elements
 - Interactive and Gamified eBooks

2005 Infiniti Q45 Owners Manual Introduction

In this digital age, the convenience of accessing information at our fingertips has become a necessity. Whether its research papers, eBooks, or user manuals, PDF files have become the preferred format for sharing and reading documents. However, the cost associated with purchasing PDF files can sometimes be a barrier for many individuals and organizations. Thankfully, there are numerous websites and platforms that allow users to download free PDF files legally. In this article, we will explore some of the best platforms to download free PDFs. One of the most popular platforms to download free PDF files is Project Gutenberg. This online library offers over 60,000 free eBooks that are in the public domain. From classic literature to historical documents, Project Gutenberg provides a wide range of PDF files that can be downloaded and enjoyed on various devices. The website is user-friendly and allows users to search for specific titles or browse through different categories. Another reliable platform for downloading 2005 Infiniti Q45 Owners Manual free PDF files is Open Library. With its vast collection of over 1 million eBooks, Open Library has something for every reader. The website offers a seamless experience by providing options to borrow or download PDF files. Users simply need to create a free account to access this treasure trove of knowledge. Open Library also allows users to contribute by uploading and sharing their own PDF files, making it a collaborative platform for book enthusiasts. For those interested in academic resources, there are websites dedicated to providing free PDFs of research papers and scientific articles. One such website is Academia.edu, which allows researchers and scholars to share their work with a global audience. Users can download PDF files of research papers, theses, and dissertations covering a wide range of subjects. Academia.edu also provides a platform for discussions and networking within the academic community. When it comes to downloading 2005 Infiniti Q45 Owners Manual free PDF files of magazines,

brochures, and catalogs, Issuu is a popular choice. This digital publishing platform hosts a vast collection of publications from around the world. Users can search for specific titles or explore various categories and genres. Issuu offers a seamless reading experience with its user-friendly interface and allows users to download PDF files for offline reading. Apart from dedicated platforms, search engines also play a crucial role in finding free PDF files. Google, for instance, has an advanced search feature that allows users to filter results by file type. By specifying the file type as "PDF," users can find websites that offer free PDF downloads on a specific topic. While downloading 2005 Infiniti Q45 Owners Manual free PDF files is convenient, it's important to note that copyright laws must be respected. Always ensure that the PDF files you download are legally available for free. Many authors and publishers voluntarily provide free PDF versions of their work, but it's essential to be cautious and verify the authenticity of the source before downloading 2005 Infiniti Q45 Owners Manual. In conclusion, the internet offers numerous platforms and websites that allow users to download free PDF files legally. Whether it's classic literature, research papers, or magazines, there is something for everyone. The platforms mentioned in this article, such as Project Gutenberg, Open Library, Academia.edu, and Issuu, provide access to a vast collection of PDF files. However, users should always be cautious and verify the legality of the source before downloading 2005 Infiniti Q45 Owners Manual any PDF files. With these platforms, the world of PDF downloads is just a click away.

FAQs About 2005 Infiniti Q45 Owners Manual Books

How do I know which eBook platform is the best for me? Finding the best eBook platform depends on your reading preferences and device compatibility. Research different platforms, read user reviews, and explore their features before making a choice. Are free eBooks of good quality? Yes, many reputable platforms offer high-quality free eBooks, including classics and public domain works. However, make sure to verify the source to ensure the eBook credibility. Can I read eBooks without an eReader? Absolutely! Most eBook platforms offer webbased readers or mobile apps that allow you to read eBooks on your computer, tablet, or smartphone. How do I avoid digital eye strain while reading eBooks? To prevent digital eye strain, take regular breaks, adjust the font size and background color, and ensure proper lighting while reading eBooks. What the advantage of interactive eBooks? Interactive eBooks incorporate multimedia elements, quizzes, and activities, enhancing the reader engagement and providing a more immersive learning experience. 2005 Infiniti Q45 Owners Manual is one of the best book in our library for free trial. We provide copy of 2005 Infiniti Q45 Owners Manual in digital format, so the resources that you find are reliable. There are also many Ebooks of related with 2005 Infiniti Q45 Owners Manual. Where to download 2005 Infiniti Q45 Owners Manual online for free? Are you looking for 2005 Infiniti Q45 Owners Manual PDF? This is definitely going to save you time and cash in something you should think about. If you trying to find then search around for

online. Without a doubt there are numerous these available and many of them have the freedom. However without doubt you receive whatever you purchase. An alternate way to get ideas is always to check another 2005 Infiniti Q45 Owners Manual. This method for see exactly what may be included and adopt these ideas to your book. This site will almost certainly help you save time and effort, money and stress. If you are looking for free books then you really should consider finding to assist you try this. Several of 2005 Infiniti Q45 Owners Manual are for sale to free while some are payable. If you arent sure if the books you would like to download works with for usage along with your computer, it is possible to download free trials. The free guides make it easy for someone to free access online library for download books to your device. You can get free download on free trial for lots of books categories. Our library is the biggest of these that have literally hundreds of thousands of different products categories represented. You will also see that there are specific sites catered to different product types or categories, brands or niches related with 2005 Infiniti Q45 Owners Manual. So depending on what exactly you are searching, you will be able to choose e books to suit your own need. Need to access completely for Campbell Biology Seventh Edition book? Access Ebook without any digging. And by having access to our ebook online or by storing it on your computer, you have convenient answers with 2005 Infiniti Q45 Owners Manual To get started finding 2005 Infiniti Q45 Owners Manual, you are right to find our website which has a comprehensive collection of books online. Our library is the biggest of these that have literally hundreds of thousands of different products represented. You will also see that there are specific sites catered to different categories or niches related with 2005 Infiniti Q45 Owners Manual So depending on what exactly you are searching, you will be able to choose ebook to suit your own need. Thank you for reading 2005 Infiniti Q45 Owners Manual. Maybe you have knowledge that, people have search numerous times for their favorite readings like this 2005 Infiniti Q45 Owners Manual, but end up in harmful downloads. Rather than reading a good book with a cup of coffee in the afternoon, instead they juggled with some harmful bugs inside their laptop. 2005 Infiniti Q45 Owners Manual is available in our book collection an online access to it is set as public so you can download it instantly. Our digital library spans in multiple locations, allowing you to get the most less latency time to download any of our books like this one. Merely said, 2005 Infiniti Q45 Owners Manual is universally compatible with any devices to read.

Find 2005 Infiniti Q45 Owners Manual :

new orleans bordelaise

[ncp for obesity](#)

[neem en espanol](#)

nfhs volleyball scorebook

~~nec code book cheat sheet~~

nantucket had one rule no drama

national electrical code pdf

nat king cole l o v e songs

national notary association indiana

nantucket hotels open in winter

native american culture map

nightmare before christmas trivia

nfpa 72 national fire alarm code pdf

navy cyber awareness training

nice in korean slang

2005 Infiniti Q45 Owners Manual :