



Dishwashers

Safety Instructions 2-3

Operating Instructions

Care and Cleaning 11

Getting Started 4-5

Loading and Place Settings 8-9

Loading the silverware baskets 10

Using the Dishwasher 6-7

Troubleshooting Tips 12-14

Consumer Support

Consumer Support 16

Warranty 15

Owner's Manual

Dishwashers
ADT520 Series
GDF510-540 Series
GDT530-550 Series

Lave-vaisselle

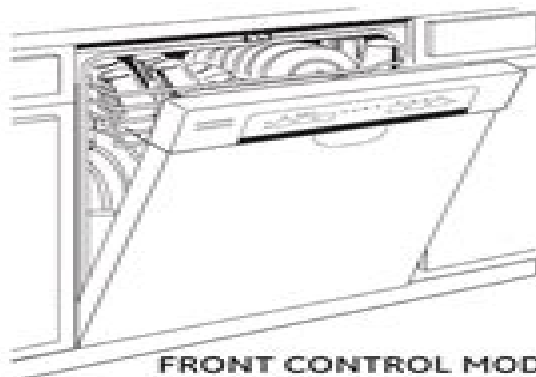
Manuel d'utilisation

La section française commence à la page 17

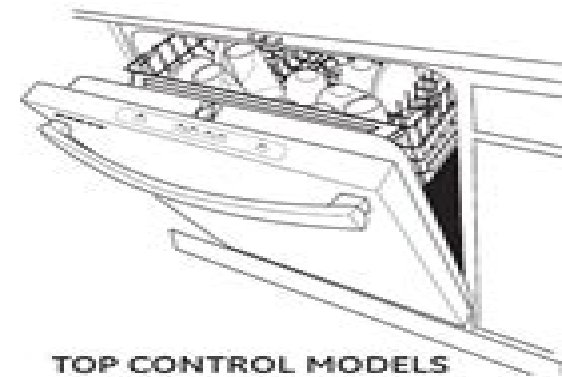
Lavaplatos

Manual del propietario

La sección en español empieza en la página 33



FRONT CONTROL MODELS



TOP CONTROL MODELS

Write the model and serial numbers here:

Model # _____

Serial # _____

You can find them on the tub wall just inside the door.

Ge Appliance Instruction Manuals

Victor M. Corman



Ge Appliance Instruction Manuals

"All-Electric" Narratives Rachele Dini, 2021-10-07 Winner of the 2023 Emily Toth Award for Best Single Work in Women's Studies All Electric Narratives is the first in depth study of time saving electrical appliances in American literature It examines the literary depiction of refrigerators vacuum cleaners oven ranges washing machines dryers dishwashers toasters blenders standing and hand held mixers and microwave ovens between 1945 when the all electric home came to be associated with the nation's hard won victory and 2020 as contemporary writers consider the enduring material and spiritual effects of these objects in the 21st century The appropriation and subversion of the rhetoric of domestic electrification and time saving comprises a crucial but overlooked element in 20th century literary forms and genres including Beat literature Black American literature second wave feminist fiction science fiction and postmodernist fiction Through close readings of dozens of literary texts alongside print and television ads from this period Dini shows how U S writers have unearthed the paradoxes inherent to claims of appliances capacity to give back time to their user transport them into a technologically progressive future or return them to some pastoral past In so doing she reveals literary appliances role in raising questions about gender norms and sexuality racial exclusion and erasure class anxieties the ramifications of mechanization the perils and possibilities of conformity the limitations of patriotism and the inevitable fallacy of utopian thinking while both shaping and radically disrupting the literary forms in which they operated

Popular Mechanics, 1993-01 Popular Mechanics inspires instructs and influences readers to help them master the modern world Whether it's practical DIY home improvement tips gadgets and digital technology information on the newest cars or the latest breakthroughs in science PM is the ultimate guide to our high tech lifestyle

Philip and Alex's Guide to Web Publishing Philip Greenspun, 1999 Web guru Philip Greenspun offers a comprehensive look at Web publishing with techniques and examples gleaned from his experiences in developing over 70 Web services He has added fresh ideas and insights to this thoroughly revised guide including new chapters on electronic commerce and static site development more material on building systems to foster community and collaboration and new examples and case studies

Cover Title *Clean My Space* Melissa Maker, 2017-03-07 The wildly popular YouTube star behind Clean My Space presents the breakthrough solution to cleaning better with less effort Melissa Maker is beloved by fans all over the world for her completely re-engineered approach to cleaning As the dynamic new authority on home and living Melissa knows that to invest any of our precious time in cleaning we need to see big long lasting results So she developed her method to help us get the most out of our effort and keep our homes fresh and welcoming every day In her long awaited debut book she shares her revolutionary 3 step solution Identify the most important areas MIAs in your home that need attention Select the proper products tools and techniques PTT for the job Implement these new cleaning routines so that they stick Clean My Space takes the chore out of cleaning with Melissa's incredible tips and cleaning hacks

the power of pretreating her lightning fast 5 10 minute express clean routines for every room when time is tightest and her techniques for cleaning even the most daunting places and spaces And a big bonus Melissa gives guidance on the best non toxic eco conscious cleaning products and offers natural cleaning solution recipes you can make at home using essential oils to soothe and refresh With Melissa s simple groundbreaking method you can truly live in a cleaner more cheerful and calming home all the time *Popular Mechanics* ,1982-01 Popular Mechanics inspires instructs and influences readers to help them master the modern world Whether it s practical DIY home improvement tips gadgets and digital technology information on the newest cars or the latest breakthroughs in science PM is the ultimate guide to our high tech lifestyle

Technical Writing Basics Brian R. Holloway,2002 For one semester freshman sophomore level courses in Technical Writing and an excellent reference for any course that requires technical writing Using a reader friendly approach that is incremental and cumulative this short uncluttered guide to technical writing shows students how to take the structures patterns and strategies of writing learned in a Basic Composition course summary process analysis and persuasion and apply them in different kinds of technical documents Direct practical explanations copious real world examples and a variety of role playing exercises lead students through the process of document production and assessment or what the author calls transactional writing getting another person to read one s material presenting such material clearly and accurately and adhering to standards of format acceptable in the field Unlike most other texts which focus on the writing needs in the executive domain of the major corporation only this guide covers a variety of non corporate working environments that also require skill in technical communications e g social service agencies institutions and small businesses *Popular Mechanics* ,1988-06 Popular Mechanics inspires instructs and influences readers to help them master the modern world Whether it s practical DIY home improvement tips gadgets and digital technology information on the newest cars or the latest breakthroughs in science PM is the ultimate guide to our high tech lifestyle *Popular Mechanics* ,1982-03 Popular Mechanics inspires instructs and influences readers to help them master the modern world Whether it s practical DIY home improvement tips gadgets and digital technology information on the newest cars or the latest breakthroughs in science PM is the ultimate guide to our high tech lifestyle *Popular Mechanics* ,1967-08 Popular Mechanics inspires instructs and influences readers to help them master the modern world Whether it s practical DIY home improvement tips gadgets and digital technology information on the newest cars or the latest breakthroughs in science PM is the ultimate guide to our high tech lifestyle **Popular Science** ,1967-09 Popular Science gives our readers the information and tools to improve their technology and their world The core belief that Popular Science and our readers share The future is going to be better and science and technology are the driving forces that will help make it better **Popular Science** ,1966-03 Popular Science gives our readers the information and tools to improve their technology and their world The core belief that Popular Science and our readers share The future is going to be better and science and technology are the driving forces that will help make

it better **Catalog of Copyright Entries. Third Series** Library of Congress. Copyright Office,1949 Includes Part 1A Books and Part 1B Pamphlets Serials and Contributions to Periodicals **Popular Mechanics** ,1968-01 Popular Mechanics inspires instructs and influences readers to help them master the modern world Whether it s practical DIY home improvement tips gadgets and digital technology information on the newest cars or the latest breakthroughs in science PM is the ultimate guide to our high tech lifestyle **Popular Science** ,1968-01 Popular Science gives our readers the information and tools to improve their technology and their world The core belief that Popular Science and our readers share The future is going to be better and science and technology are the driving forces that will help make it better **Business** Barry L. Reece,James P. O'Grady,1987 **Popular Mechanics** ,1986-01 Popular Mechanics inspires instructs and influences readers to help them master the modern world Whether it s practical DIY home improvement tips gadgets and digital technology information on the newest cars or the latest breakthroughs in science PM is the ultimate guide to our high tech lifestyle **Mechanix Illustrated** ,1983 **Popular Mechanics** ,1983-10 Popular Mechanics inspires instructs and influences readers to help them master the modern world Whether it s practical DIY home improvement tips gadgets and digital technology information on the newest cars or the latest breakthroughs in science PM is the ultimate guide to our high tech lifestyle **Popular Mechanics** ,1972-02 Popular Mechanics inspires instructs and influences readers to help them master the modern world Whether it s practical DIY home improvement tips gadgets and digital technology information on the newest cars or the latest breakthroughs in science PM is the ultimate guide to our high tech lifestyle **Popular Science** ,1967-07 Popular Science gives our readers the information and tools to improve their technology and their world The core belief that Popular Science and our readers share The future is going to be better and science and technology are the driving forces that will help make it better

[bundesverwaltungsgericht urteil zu illegal eingereisten welt](#) - May 01 2023

web dec 10 2014 a usländer haben keinen anspruch auf eine aufenthaltserlaubnis wenn sie illegal in die bundesrepublik eingereist sind auch nicht wenn sie eine deutsche oder einen deutschen geheiratet

eingereist und abgetaucht illegal in deutschland german edition - Mar 19 2022

web eingereist und abgetaucht illegal in deutschland german edition by daniel gäsche zerstückelung einer deutschen 15 jährigen durch einen nur notdürftig als mensch getarnten unwerten dreck in einem dm markt in kandel in rheinland pfalz *eingereist und abgetaucht illegal in deutschland ebook* - Aug 04 2023

web oct 9 2014 discover eingereist und abgetaucht illegal in deutschland by daniel gäsche and millions of other books available at barnes noble shop paperbacks ebooks and more

eingereist und abgetaucht ebook by daniel gäsche kobo com - Feb 15 2022

web read eingereist und abgetaucht illegal in deutschland by daniel gäsche available from rakuten kobo freiheit mensenschlepper und abschiebeknast die ausweise bitte so angesprochen fühlt sich jeder erst mal ertappt [download solutions eingereist und abgetaucht illegal in deutschland](#) - Apr 19 2022

web eingereist und abgetaucht illegal in deutschland saving faith aug 11 2021 escape on a journey of suspense filled non stop action in saving faith by david baldacci chinatown a sex club and the artists studios to find justice eingereist und abgetaucht sep 04 2023 the anthropocene as a geological time unit mar 30 2023

eingereist und abgetaucht ebook by daniel gäsche epub - Mar 31 2023

web read eingereist und abgetaucht illegal in deutschland by daniel gäsche available from rakuten kobo freiheit mensenschlepper und abschiebeknast die ausweise bitte so angesprochen fühlt sich jeder erst mal ertappt [illegale einreise wikipedia](#) - Aug 24 2022

web 5 einzelnachweise deutschland unerlaubte einreise die unerlaubte einreise ist in deutschland im 14 aufenthaltsgesetz aufenthg geregelt die einreise eines ausländers in das bundesgebiet ist unerlaubt wenn er 1 einen erforderlichen pass oder passersatz nicht besitzt gemäß passpflicht für ausländer 3

schleuser auto überschlug sich bei flucht nach vorarlberg - Jan 29 2023

web 1 day ago Überbesetzt und illegal eingereist vor ort stellte sich dann heraus dass der audi mit sieben türkischen staatsbürgern überbesetzt war am freitagnachmittag von einem noch unbekanntem mann mit zehn weiteren migranten in einem transporter unerlaubt nach deutschland geschleust worden waren

eingereist und abgetaucht illegal in deutschland german edition - Jun 02 2023

web eingereist und abgetaucht illegal in deutschland german edition ebook gäsche daniel amazon in kindle store

eingereist und abgetaucht illegal in deutschland - Nov 26 2022

web eingereist und abgetaucht illegal in deutschland as recognized adventure as skillfully as experience just about lesson amusement as capably as deal can be gotten by just checking out a ebook eingereist und abgetaucht illegal in deutschland then it is not directly done you could tolerate even more roughly this life going on for the world

[illegaler grenzübertritt wikipedia](#) - Sep 24 2022

web illegaler grenzübertritt illegaler grenzübertritt steht für illegale einreise also die einreise in ein land ohne gültigen aufenthaltstitel ungesetzlicher grenzübertritt im ddr recht die rechtswidrige flucht aus der ddr

eingereist und abgetaucht illegal in deutschland - May 21 2022

web eingereist und abgetaucht illegal in deutschland six tudor queens katherine of aragon the true queen nov 17 2021 the sunday times bestselling first novel in alison weir s spellbinding six tudor queens series shatters the many myths about henry viii s long suffering first wife tracy borman weir is excellent

eingereist und abgetaucht illegal in deutschland book - Jul 23 2022

web eingereist und abgetaucht illegal in deutschland abgetaucht jan 04 2023 eine kleinstadt voller geheimnisse eine ermittlerin die sich ihren dämonen stellt dreißig jahre ist es her dass atlee pines eineiige zwillingschwester mercy entführt wurde und für immer verschwand atlee ist eine einzelgängerische

[eingereist abgetaucht deutschland abebooks](#) - Feb 27 2023

web eingereist und abgetaucht illegal in deutschland by gäsche daniel and a great selection of related books art and collectibles available now at abebooks co uk

eingereist abgetaucht illegal in deutschland goodreads - Dec 28 2022

web 224 pages ebook published january 1 2014 book details editions

eingereist und abgetaucht illegal in deutschland ebook amazon de - Jul 03 2023

web eingereist und abgetaucht illegal in deutschland ebook gäsche daniel amazon de books

unerlaubte illegale einreise nach deutschland strafbar juraforum - Oct 06 2023

web feb 27 2023 in deutschland ist die unerlaubte einreise auch illegale einreise oder illegale einwanderung genannt im 14 aufenthaltsgesetz aufenthg geregelt danach liegt eine unerlaubte

[eingereist und abgetaucht illegal in deutschland book](#) - Sep 05 2023

web eingereist und abgetaucht illegal in deutschland jerry cotton 2981 sep 02 2021 aus dem hudson wurde die leiche einer jungen frau geborgen ihr name war mandy baker und sie war stranguliert worden bei der untersuchung stellte sich heraus dass es sich um die illegal eingereiste irina kudrick aus der ukraine handelte dann fand man an ihrem

eingereist und abgetaucht illegal in deutschland pdf - Oct 26 2022

web und Ärzte alle erkennen handlungsbedarf in packenden reportagen spannenden interviews und berührenden einzelschicksalen beleuchtet gäsche die fakten und hintergründe zum leben in der illegalität in deutschland alternativen zur gegenwärtigen situation gäbe es mit einem vorwort von sabine christiansen antisemitism worldwide

[eingereist und abgetaucht illegal in deutschland pdf](#) - Jun 21 2022

web sep 26 2023 eingereist und abgetaucht illegal in deutschland 1 7 downloaded from uniport edu ng on september 26 2023 by guest eingereist und abgetaucht illegal in deutschland when people should go to the books stores search instigation by shop shelf by shelf it is in fact problematic this is why we provide the book compilations in this

wiring diagrams peugeot forums - Jun 24 2022

web labour times and repair manual wiring diagrams et diagnostic documentation private

[peugeot boxer free workshop and repair manuals](#) - May 04 2023

web view print and download for free wiring diagram peugeot boxer 2018 owner s

peugeot all models wiring diagrams - Sep 08 2023

web free online pdf for peugeot boxer workshop manuals peugeot boxer oem repair

wiring diagram peugeot boxer 2020 owner s manual car - Feb 01 2023

web peugeot boxer service pdf s covering routine maintenance and servicing detailed

peugeot boxer repair service manuals 171 pdf s - Jul 26 2022

web jul 8 2020 has anybody got wiring diagrams for a boxer 2005 6 please or point me

electrical wiring diagrams for peugeot boxer i avtobase com - May 24 2022

web 2009 5 peugeot 4007 owners manual 2003 5 peugeot 307 dag owners manual

peugeot boxer 2001 2002 haynes repair manuals guides - Apr 03 2023

web oct 13 2023 this is the original oem workshop service and repair manual for the 2006

peugeot boxer workshop manual pdf repairbooks co uk - Mar 02 2023

web the peugeot boxer 2021 is a commercial van that offers a spacious and versatile

peugeot boxer ii 2006 2021 fuse box diagrams - Jun 05 2023

web view print and download for free wiring diagram peugeot boxer 2020 owner s

user manual peugeot boxer 2021 english 212 pages - Aug 27 2022

web all peugeot boxer i info diagrams provided on this site are provided for general

wiring diagram peugeot boxer 2013 owner s manual car - Nov 17 2021

peugeot boxer service workshop manual wiring - Oct 09 2023

web aug 29 2018 step by step guide to troubleshooting issues with peugeot boxer

wiring diagram peugeot boxer 2018 owner s manual car - Oct 29 2022

web jun 14 2023 peugeot boxer wiring diagram pdf the peugeot boxer is a popular

peugeot boxer wiring diagram pdf wiring flash - Apr 22 2022

peugeot boxer service repair manuals free pdf - Jul 06 2023

web comfort wiring diagrams clear localised wiring schematics for key vehicle features

peugeot boxer 2006 2017 workshop repair manual - Dec 31 2022

web jul 20 2023 the wiring diagrams are in peugeot servicebox you can download a

download 2006 2017 peugeot boxer ii repair manual dardoor - Sep 27 2022

web view print and download for free wiring diagram peugeot boxer 2014 owner s

[peugeot boxer wiring diagram pdf](#) - Aug 07 2023

web peugeot boxer workshop repair and owners manuals for all years and models free
[wiring diagram peugeot boxer 2014 owner s manual car](#) - Mar 22 2022

[peugeot boxer i 1995 2006 fuse box diagrams schemes](#) - Feb 18 2022

boxer 2005 6 wiring diagrams peugeot forums - Jan 20 2022

peugeot boxer handbook pdf download - Nov 29 2022

web electrical wiring diagrams for peugeot boxer i 2 84 mb year 2004 pages 5 format
peugeot technical documentation for motor - Dec 19 2021

freecranespecs com kato nk 500b v crane - Jun 04 2022

crane specifications load charts and crane manuals are for reference only and are not to be used by the crane operator to operate any type of crane telehandler lift truck or aerial

[kato nk 500 e v crane load chart specs 1996 2011](#) - Apr 14 2023

kato hydraulic crane nk 500e v selected dimensions boom i min height max raise angle 15 m j max height max raise angle no jib 43 m k min working radius 3m l max

kato nk 500e v specifications cranemarket com - Mar 01 2022

kato nk500e iii load chart specification cranepedia - Nov 28 2021

nk 500e v catalog pdf pdf scribd - Jun 16 2023

2023 xcmg xct20 20 ton 6x4 hydraulic truck crane unused view updated kato nk500e v hydraulic truck crane specs get dimensions size weight detailed specifications and

[kato nk 500e v crane service manual](#) - Jul 05 2022

types of cranes lifts cranes hoists material handlers 2864 all terrain cranes 436 articulating knuckle boom cranes 182 boom trucks 357 manuals accessories

[kato nk 500e iii specifications cranemarket](#) - Nov 09 2022

select crane sales delivers 2022 demag ac 300 6 to rossco crane rigging liebherr works together lrt 1100 2 1 crane helps

assemble liebherr t 264 mining truck crane

[freecranespecs.com kato nk 500e v crane](#) - Jul 17 2023

manual crane kato nk 500e v kato sr 300l 300ls 700l 700ls service manual size 79 8mb type pdf language for kato or tadano crane kato nk 300e v fully hydraulic

[truck cranes kato nk 500e iii specifications cranemarket](#) - Aug 06 2022

types of cranes lifts cranes hoists material handlers 2866 all terrain cranes 436 articulating knuckle boom cranes 182 boom trucks 357 manuals accessories

[kato nk 500e v trucks cranes nl](#) - Sep 07 2022

kato nk 500e v truck crane service manual post category vip access this content is for vip membership one month full access vip membership three months full access

[kato nk 500b v specifications cranemarket](#) - Dec 30 2021

kato nk 500e v truck crane service manual - Apr 02 2022

kato nk 500e v since 1895 kato is a japanese manufacturer of rough terrain all terrain city cranes and telescopic boom truck cranes additionally kato has a product line of

kato crane operators manual pdf crane machine - May 15 2023

title mc nk 500e 3 pdf author admin 2 created date 12 19 2007 5 50 46 pm

kato nk500e v load chart specification cranepedia - Aug 18 2023

of 8 nk 500e v fully hydraulic truck crane maximum rated lifting capacity 50 5t maximum boom length 40m maximum jib length 15m maximum lifting height 38 8m

kato nk 500e v truck crane service manual - Dec 10 2022

download 16 file size 35 mb enter correct password to download product code kato 0017 if you already purchase this product please check your dashboard for

truck cranes kato nk 500e v specifications cranemarket - Oct 28 2021

mc nk 500e 3 crane network - Feb 12 2023

the jib can be mounted to the main boom under a 5 17 or 30 degree angle in this configuration is the crane able to hoist 2 5 tonnes the outrigger base measures 5 6 x 7 2 meters or half

kato crane nk 350 nk 500 nk 500m e v service part - May 03 2022

xcmg hails the new xct110 1 as king of performance read about kato nk500e iii and explore the information provided in

hydraulic truck crane get a brief overview of

kato nk 500e v specifications cranemarket - Sep 19 2023

home searching kato nk 500e v specs kato nk 500e v 1 pdf kato nk 500e v 2 pdf cranes for sale on cranenetwork com link belt fmc 145 price 21 000 view details

kato hydraulic crane nk 500e v selected dimensions - Jan 11 2023

the kato nk 500e iii is a four axle 8 x4 telescopic boom truck crane mounted on a mitsubishi k503lk3 carrier this crane has a 50 5 metric ton lifting capacity and features a 40 m main

kato nk500e v hydraulic truck crane ritchiespecs - Mar 13 2023

truck mounted crane kato nk 500e v spare parst catalog ktw02 029 nk 500e v truck mounted crane kato nk 500e v instruction manual ktw02 030 nk 500m iii truck

kato nk 500e v specifications cranemarket com - Jan 31 2022

kato crane manual and catalog sudoremont com ua - Oct 08 2022

size 107 mb format pdf language english brand kato type of machine kato crane type of document service part maintenance manual model kato rough terrain crane nk 350 nk

Ge Appliance Instruction Manuals: Bestsellers in 2023 The year 2023 has witnessed a remarkable surge in literary brilliance, with numerous compelling novels captivating the hearts of readers worldwide. Lets delve into the realm of bestselling books, exploring the fascinating narratives that have charmed audiences this year. Ge Appliance Instruction Manuals : Colleen Hoover "It Ends with Us" This touching tale of love, loss, and resilience has captivated readers with its raw and emotional exploration of domestic abuse. Hoover skillfully weaves a story of hope and healing, reminding us that even in the darkest of times, the human spirit can succeed. Ge Appliance Instruction Manuals : Taylor Jenkins Reids "The Seven Husbands of Evelyn Hugo" This spellbinding historical fiction novel unravels the life of Evelyn Hugo, a Hollywood icon who defies expectations and societal norms to pursue her dreams. Reids compelling storytelling and compelling characters transport readers to a bygone era, immersing them in a world of glamour, ambition, and self-discovery. Ge Appliance Instruction Manuals : Delia Owens "Where the Crawdads Sing" This mesmerizing coming-of-age story follows Kya Clark, a young woman who grows up alone in the marshes of North Carolina. Owens spins a tale of resilience, survival, and the transformative power of nature, captivating readers with its evocative prose and mesmerizing setting. These top-selling novels represent just a fraction of the literary treasures that have emerged in 2023. Whether you seek tales of romance, adventure, or personal growth, the world of literature offers an abundance of compelling stories waiting to be discovered. The novel begins with Richard Papan, a bright but troubled young man, arriving at Hampden College. Richard is immediately drawn to the group of students who call themselves the Classics Club. The club is led by Henry Winter, a brilliant and charismatic young man. Henry is obsessed with Greek mythology and philosophy, and he quickly draws Richard into his world. The other members of the Classics Club are equally as fascinating. Bunny Corcoran is a wealthy and spoiled young man who is always looking for a good time. Charles Tavis is a quiet and reserved young man who is deeply in love with Henry. Camilla Macaulay is a beautiful and intelligent young woman who is drawn to the power and danger of the Classics Club. The students are all deeply in love with Morrow, and they are willing to do anything to please him. Morrow is a complex and mysterious figure, and he seems to be manipulating the students for his own purposes. As the students become more involved with Morrow, they begin to commit increasingly dangerous acts. The Secret History is a brilliant and suspenseful novel that will keep you wondering until the very end. The novel is a cautionary tale about the dangers of obsession and the power of evil.

https://offsite.creighton.edu/files/virtual-library/Documents/inventory_management_database.pdf

https://offsite.creighton.edu/files/virtual-library/Documents/inspection_document_template.pdf

https://offsite.creighton.edu/files/virtual-library/Documents/introduce_email_to_team.pdf

Table of Contents Ge Appliance Instruction Manuals

1. Understanding the eBook Ge Appliance Instruction Manuals
 - The Rise of Digital Reading Ge Appliance Instruction Manuals
 - Advantages of eBooks Over Traditional Books
2. Identifying Ge Appliance Instruction Manuals
 - Exploring Different Genres
 - Considering Fiction vs. Non-Fiction
 - Determining Your Reading Goals
3. Choosing the Right eBook Platform
 - Popular eBook Platforms
 - Features to Look for in an Ge Appliance Instruction Manuals
 - User-Friendly Interface
4. Exploring eBook Recommendations from Ge Appliance Instruction Manuals
 - Personalized Recommendations
 - Ge Appliance Instruction Manuals User Reviews and Ratings
 - Ge Appliance Instruction Manuals and Bestseller Lists
5. Accessing Ge Appliance Instruction Manuals Free and Paid eBooks
 - Ge Appliance Instruction Manuals Public Domain eBooks
 - Ge Appliance Instruction Manuals eBook Subscription Services
 - Ge Appliance Instruction Manuals Budget-Friendly Options
6. Navigating Ge Appliance Instruction Manuals eBook Formats
 - ePub, PDF, MOBI, and More
 - Ge Appliance Instruction Manuals Compatibility with Devices
 - Ge Appliance Instruction Manuals Enhanced eBook Features
7. Enhancing Your Reading Experience

- Adjustable Fonts and Text Sizes of Ge Appliance Instruction Manuals
- Highlighting and Note-Taking Ge Appliance Instruction Manuals
- Interactive Elements Ge Appliance Instruction Manuals
- 8. Staying Engaged with Ge Appliance Instruction Manuals
 - Joining Online Reading Communities
 - Participating in Virtual Book Clubs
 - Following Authors and Publishers Ge Appliance Instruction Manuals
- 9. Balancing eBooks and Physical Books Ge Appliance Instruction Manuals
 - Benefits of a Digital Library
 - Creating a Diverse Reading Collection Ge Appliance Instruction Manuals
- 10. Overcoming Reading Challenges
 - Dealing with Digital Eye Strain
 - Minimizing Distractions
 - Managing Screen Time
- 11. Cultivating a Reading Routine Ge Appliance Instruction Manuals
 - Setting Reading Goals Ge Appliance Instruction Manuals
 - Carving Out Dedicated Reading Time
- 12. Sourcing Reliable Information of Ge Appliance Instruction Manuals
 - Fact-Checking eBook Content of Ge Appliance Instruction Manuals
 - Distinguishing Credible Sources
- 13. Promoting Lifelong Learning
 - Utilizing eBooks for Skill Development
 - Exploring Educational eBooks
- 14. Embracing eBook Trends
 - Integration of Multimedia Elements
 - Interactive and Gamified eBooks

Ge Appliance Instruction Manuals Introduction

In the digital age, access to information has become easier than ever before. The ability to download Ge Appliance Instruction Manuals has revolutionized the way we consume written content. Whether you are a student looking for course

material, an avid reader searching for your next favorite book, or a professional seeking research papers, the option to download Ge Appliance Instruction Manuals has opened up a world of possibilities. Downloading Ge Appliance Instruction Manuals provides numerous advantages over physical copies of books and documents. Firstly, it is incredibly convenient. Gone are the days of carrying around heavy textbooks or bulky folders filled with papers. With the click of a button, you can gain immediate access to valuable resources on any device. This convenience allows for efficient studying, researching, and reading on the go. Moreover, the cost-effective nature of downloading Ge Appliance Instruction Manuals has democratized knowledge. Traditional books and academic journals can be expensive, making it difficult for individuals with limited financial resources to access information. By offering free PDF downloads, publishers and authors are enabling a wider audience to benefit from their work. This inclusivity promotes equal opportunities for learning and personal growth. There are numerous websites and platforms where individuals can download Ge Appliance Instruction Manuals. These websites range from academic databases offering research papers and journals to online libraries with an expansive collection of books from various genres. Many authors and publishers also upload their work to specific websites, granting readers access to their content without any charge. These platforms not only provide access to existing literature but also serve as an excellent platform for undiscovered authors to share their work with the world. However, it is essential to be cautious while downloading Ge Appliance Instruction Manuals. Some websites may offer pirated or illegally obtained copies of copyrighted material. Engaging in such activities not only violates copyright laws but also undermines the efforts of authors, publishers, and researchers. To ensure ethical downloading, it is advisable to utilize reputable websites that prioritize the legal distribution of content. When downloading Ge Appliance Instruction Manuals, users should also consider the potential security risks associated with online platforms. Malicious actors may exploit vulnerabilities in unprotected websites to distribute malware or steal personal information. To protect themselves, individuals should ensure their devices have reliable antivirus software installed and validate the legitimacy of the websites they are downloading from. In conclusion, the ability to download Ge Appliance Instruction Manuals has transformed the way we access information. With the convenience, cost-effectiveness, and accessibility it offers, free PDF downloads have become a popular choice for students, researchers, and book lovers worldwide. However, it is crucial to engage in ethical downloading practices and prioritize personal security when utilizing online platforms. By doing so, individuals can make the most of the vast array of free PDF resources available and embark on a journey of continuous learning and intellectual growth.

FAQs About Ge Appliance Instruction Manuals Books

What is a Ge Appliance Instruction Manuals PDF? A PDF (Portable Document Format) is a file format developed by

Adobe that preserves the layout and formatting of a document, regardless of the software, hardware, or operating system used to view or print it. **How do I create a Ge Appliance Instruction Manuals PDF?** There are several ways to create a PDF: Use software like Adobe Acrobat, Microsoft Word, or Google Docs, which often have built-in PDF creation tools. Print to PDF: Many applications and operating systems have a "Print to PDF" option that allows you to save a document as a PDF file instead of printing it on paper. Online converters: There are various online tools that can convert different file types to PDF. **How do I edit a Ge Appliance Instruction Manuals PDF?** Editing a PDF can be done with software like Adobe Acrobat, which allows direct editing of text, images, and other elements within the PDF. Some free tools, like PDFescape or Smallpdf, also offer basic editing capabilities. **How do I convert a Ge Appliance Instruction Manuals PDF to another file format?** There are multiple ways to convert a PDF to another format: Use online converters like Smallpdf, Zamzar, or Adobe Acrobats export feature to convert PDFs to formats like Word, Excel, JPEG, etc. Software like Adobe Acrobat, Microsoft Word, or other PDF editors may have options to export or save PDFs in different formats. **How do I password-protect a Ge Appliance Instruction Manuals PDF?** Most PDF editing software allows you to add password protection. In Adobe Acrobat, for instance, you can go to "File" -> "Properties" -> "Security" to set a password to restrict access or editing capabilities. Are there any free alternatives to Adobe Acrobat for working with PDFs? Yes, there are many free alternatives for working with PDFs, such as: LibreOffice: Offers PDF editing features. PDFsam: Allows splitting, merging, and editing PDFs. Foxit Reader: Provides basic PDF viewing and editing capabilities. How do I compress a PDF file? You can use online tools like Smallpdf, ILovePDF, or desktop software like Adobe Acrobat to compress PDF files without significant quality loss. Compression reduces the file size, making it easier to share and download. Can I fill out forms in a PDF file? Yes, most PDF viewers/editors like Adobe Acrobat, Preview (on Mac), or various online tools allow you to fill out forms in PDF files by selecting text fields and entering information. Are there any restrictions when working with PDFs? Some PDFs might have restrictions set by their creator, such as password protection, editing restrictions, or print restrictions. Breaking these restrictions might require specific software or tools, which may or may not be legal depending on the circumstances and local laws.

Find Ge Appliance Instruction Manuals :

inventory management database

~~inspection document template~~

introduce email to team

infinity song mad love

~~infection control test answers~~

international institute of the americas
is absaroka county wyoming real
intermediate algebra pdf free download
irish riddles and jokes
invisible lyrics anna
ironworkers impact training
interracial bachelor couples
interesting facts about the tuskegee airmen
introduction to audiology
investment opportunity proposal template

Ge Appliance Instruction Manuals :