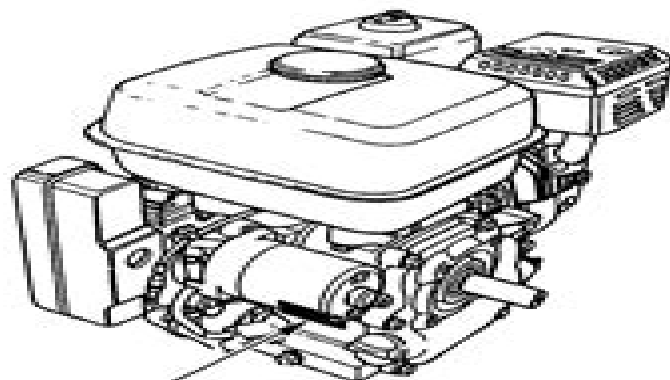


HONDA

GX120 · GX160 · GX200



Serial number and
engine type

OWNER'S MANUAL

32ZH7620
00X32-ZH7-6201

1

HONDA EUROPE N.V. (EEC)
www.honda-engines-eu.com



Gx160 Hayns Manual

John Harold Haynes, Ian M. Coomber



Gx160 Hayns Manual

Haynes GM N-Cars Owners Workshop Manual, No. 1420 Bob Henderson,J. H. Haynes,1992

Automotive Computer Codes John Haynes,2001-01-05 Computer controlled car repair made easy This manual is filled with simple do it yourself diagnosis easy access to on board computer trouble codes and complete and easy to understand code charts for all models

MGA John Harold Haynes,Ian M. Coomber,2013*

M. G. B. Owner's Workshop Manual John Harold Haynes,1969

Oliver & Cockshutt Shop Manual Editors of Haynes Manuals,1992-06-01 With a Haynes manual you can do it yourself from simple maintenance to basic repairs Haynes writes every book based on a complete teardown of the vehicle where we learn the best ways to do a job and that makes it quicker easier and cheaper for you Haynes books have clear instructions and hundreds of photographs that show each step Whether you are a beginner or a pro you can save big with a Haynes manual This manual features complete coverage for your Oliver Cockshutt tractor covering Routine maintenance Tune up procedures Engine repair Cooling and heating Air conditioning Fuel and exhaust Emissions control Ignition brakes Suspension and steering Models covered include Oliver Cockshutt Oliver Model 2255 Oliver Cockshutt Series 1550 Oliver Cockshutt Series 1555 Oliver Cockshutt Series 1600 Oliver Cockshutt Series 1650 Oliver Cockshutt Series 1655 Oliver Cockshutt Series 1750 Oliver Cockshutt Series 1755 Oliver Cockshutt Series 1800 Oliver Cockshutt Series 1850 Oliver Cockshutt Series 1855 Oliver Cockshutt Series 1900 Oliver Cockshutt Series 1950 Oliver Cockshutt Series 1950 T Oliver Cockshutt Series 1955

Case International Shop Manuals 1190 1290 1390 1490+ Editors of Haynes Manuals,1987-11-01 With a Haynes manual you can do it yourself from simple maintenance to basic repairs Haynes writes every book based on a complete teardown of the vehicle where we learn the best ways to do a job and that makes it quicker easier and cheaper for you Haynes books have clear instructions and hundreds of photographs that show each step Whether you are a beginner or a pro you can save big with a Haynes manual This manual features complete coverage for your Case International Tractor Models 1190 1290 1390 or 1490 covering Routine maintenance Tune up procedures Engine repair Cooling and heating Air conditioning Fuel and exhaust Emissions control Ignition Brakes Suspension and steering Electrical systems and Wring diagrams

Haynes Mini Owners Workshop Manual, No. 527 John Haynes,1965-06-01 Haynes offers the best coverage for cars trucks vans SUVs and motorcycles on the market today Each manual contains easy to follow step by step instructions linked to hundreds of photographs and illustrations Included in every manual troubleshooting section to help identify specific problems tips that give valuable short cuts to make the job easier and eliminate the need for special tools notes cautions and warnings for the home mechanic color spark plug diagnosis and an easy to use index

Case/International Shop Manual Models 1896 -2096 Penton Staff,2000-05-24 Diesel Models 1896 2096

MGB John Harold Haynes,1971

Nissan 300ZX, 1984-1989 John Haynes,1986-11-02 Haynes disassembles every subject vehicle and documents every step with thorough instructions and clear photos Haynes repair manuals are used by the pros but written for the do it yourselfer

John Deere Shop Manual 520 530 620 630 720 + Penton Staff,2000-05-24 Models 520 530 620 630 720 730

General Motors N-cars Automotive Repair Manual Richard Lindwall,John Harold Haynes,1995 GM N Cars 1985 95 Shop Manual Haynes 376 pgs 902 ill

Haynes Saturn S-Series 1991 thru 2002 Mark Ryan,2003-11-28 Each Haynes Manual is based on a complete teardown and rebuild of the specific vehicle Features hundreds of hands on photographs taken of specific repair procedures in progress Includes a full chapter on scheduled owner maintenance and devotes a full chapter to emissions systems Wiring diagrams are featured throughout

Allis-Chalmers Shop Manual AC20 AC17 AC25 & AC27 Editors of Haynes Manuals,1989-10-01 With a Haynes manual you can do it yourself from simple maintenance to basic repairs Haynes writes every book based on a complete teardown of the vehicle where we learn the best ways to do a job and that makes it quicker easier and cheaper for you Haynes books have clear instructions and hundreds of photographs that show each step Whether you are a beginner or a pro you can save big with a Haynes manual This manual features complete coverage for your Allis Chambers Tractor Model AC20 AC17 AC25 or AC27 covering routine maintenance tune up procedures engine repair cooling and heating air conditioning fuel and exhaust emissions control ignition brakes suspension and steering electrical systems and wiring diagrams

General Motors Haynes Repair Manual Robert Maddox,1999

General Motors X-cars Automotive Repair Manual Rik Paul,John Harold Haynes,1995

Chilton's Nissan 350Z & Infiniti G35 2003-08 Repair Manual Jay Storer,2008 Covers U S and Canadian models of Nissan 350Z Infiniti G35 Does not include Infiniti G37 models

Case International Shop Manuals 1190 1290 1390 1490+ Editors of Haynes Manuals,1987-11-01 With a Haynes manual you can do it yourself from simple maintenance to basic repairs Haynes writes every book based on a complete teardown of the vehicle where we learn the best ways to do a job and that makes it quicker easier and cheaper for you Haynes books have clear instructions and hundreds of photographs that show each step Whether you are a beginner or a pro you can save big with a Haynes manual This manual features complete coverage for your Case International Tractor Models 1190 1290 1390 or 1490 covering Routine maintenance Tune up procedures Engine repair Cooling and heating Air conditioning Fuel and exhaust Emissions control Ignition Brakes Suspension and steering Electrical systems and Wring diagrams

Kia Sorento, '03-'13 Haynes Publishing,2018-05-01 Each Haynes manual provides specific and detailed instructions for performing everything from basic maintenance and troubleshooting to a complete overhaul of the machine in this case the Kia Sorento model years 2003 through 2013 Do it yourselfers will find this service and repair manual more comprehensive than the factory manual making it an indispensable part of their tool box A typical Haynes manual covers general information troubleshooting lubrication and routine maintenance engine top end engine lower end primary drive clutch and external shift mechanism transmission and internal shift mechanism engine management system electrical system wheels tires and drivebelt front suspension and steering rear suspension brakes body and color wiring diagrams An index makes the manual easy to navigate

Kia Sephia, Spectra and Sportage J.J. Haynes, 2011-08-15 Complete coverage for your Kia Sephia Spectra and Sportage covering Sephia 1994 thru 2001 Spectra 2000 thru 2009 and Sportage 2005 thru 2010 Routine Maintenance Tune up procedures Engine repair Cooling and heating Air Conditioning Fuel and exhaust Emissions control Ignition Brakes Suspension and steering Electrical systems Wiring diagrams With a Haynes manual you can do it yourself from simple maintenance to basic repairs Haynes writes every book based on a complete teardown of the vehicle We learn the best ways to do a job and that makes it quicker easier and cheaper for you Our books have clear instructions and hundreds of photographs that show each step Whether you re a beginner or a pro you can save big with Haynes Step by step procedures Easy to follow photos Complete troubleshooting section Valuable short cuts Color spark plug diagnosis

Embark on a transformative journey with Explore the World with is captivating work, **Gx160 Hayns Manual** . This enlightening ebook, available for download in a convenient PDF format , invites you to explore a world of boundless knowledge. Unleash your intellectual curiosity and discover the power of words as you dive into this riveting creation. Download now and elevate your reading experience to new heights .

https://offsite.creighton.edu/public/book-search/default.aspx/how_to_print_your_own_fabric_at_home.pdf

<https://offsite.creighton.edu/public/book-search/default.aspx/How%20To%20Get%20Ame%20License.pdf>

<https://offsite.creighton.edu/public/book-search/default.aspx/how%20to%20move%20beyond%20fear.pdf>

Table of Contents Gx160 Hayns Manual

1. Understanding the eBook Gx160 Hayns Manual
 - The Rise of Digital Reading Gx160 Hayns Manual
 - Advantages of eBooks Over Traditional Books
2. Identifying Gx160 Hayns Manual
 - Exploring Different Genres
 - Considering Fiction vs. Non-Fiction
 - Determining Your Reading Goals
3. Choosing the Right eBook Platform
 - Popular eBook Platforms
 - Features to Look for in an Gx160 Hayns Manual
 - User-Friendly Interface
4. Exploring eBook Recommendations from Gx160 Hayns Manual
 - Personalized Recommendations
 - Gx160 Hayns Manual User Reviews and Ratings
 - Gx160 Hayns Manual and Bestseller Lists
5. Accessing Gx160 Hayns Manual Free and Paid eBooks
 - Gx160 Hayns Manual Public Domain eBooks
 - Gx160 Hayns Manual eBook Subscription Services
 - Gx160 Hayns Manual Budget-Friendly Options

6. Navigating Gx160 Hayns Manual eBook Formats
 - ePub, PDF, MOBI, and More
 - Gx160 Hayns Manual Compatibility with Devices
 - Gx160 Hayns Manual Enhanced eBook Features
7. Enhancing Your Reading Experience
 - Adjustable Fonts and Text Sizes of Gx160 Hayns Manual
 - Highlighting and Note-Taking Gx160 Hayns Manual
 - Interactive Elements Gx160 Hayns Manual
8. Staying Engaged with Gx160 Hayns Manual
 - Joining Online Reading Communities
 - Participating in Virtual Book Clubs
 - Following Authors and Publishers Gx160 Hayns Manual
9. Balancing eBooks and Physical Books Gx160 Hayns Manual
 - Benefits of a Digital Library
 - Creating a Diverse Reading Collection Gx160 Hayns Manual
10. Overcoming Reading Challenges
 - Dealing with Digital Eye Strain
 - Minimizing Distractions
 - Managing Screen Time
11. Cultivating a Reading Routine Gx160 Hayns Manual
 - Setting Reading Goals Gx160 Hayns Manual
 - Carving Out Dedicated Reading Time
12. Sourcing Reliable Information of Gx160 Hayns Manual
 - Fact-Checking eBook Content of Gx160 Hayns Manual
 - Distinguishing Credible Sources
13. Promoting Lifelong Learning
 - Utilizing eBooks for Skill Development
 - Exploring Educational eBooks
14. Embracing eBook Trends
 - Integration of Multimedia Elements

- Interactive and Gamified eBooks

Gx160 Hayns Manual Introduction

Gx160 Hayns Manual Offers over 60,000 free eBooks, including many classics that are in the public domain. Open Library: Provides access to over 1 million free eBooks, including classic literature and contemporary works. Gx160 Hayns Manual Offers a vast collection of books, some of which are available for free as PDF downloads, particularly older books in the public domain. Gx160 Hayns Manual : This website hosts a vast collection of scientific articles, books, and textbooks. While it operates in a legal gray area due to copyright issues, its a popular resource for finding various publications. Internet Archive for Gx160 Hayns Manual : Has an extensive collection of digital content, including books, articles, videos, and more. It has a massive library of free downloadable books. Free-eBooks Gx160 Hayns Manual Offers a diverse range of free eBooks across various genres. Gx160 Hayns Manual Focuses mainly on educational books, textbooks, and business books. It offers free PDF downloads for educational purposes. Gx160 Hayns Manual Provides a large selection of free eBooks in different genres, which are available for download in various formats, including PDF. Finding specific Gx160 Hayns Manual, especially related to Gx160 Hayns Manual, might be challenging as theyre often artistic creations rather than practical blueprints. However, you can explore the following steps to search for or create your own Online Searches: Look for websites, forums, or blogs dedicated to Gx160 Hayns Manual, Sometimes enthusiasts share their designs or concepts in PDF format. Books and Magazines Some Gx160 Hayns Manual books or magazines might include. Look for these in online stores or libraries. Remember that while Gx160 Hayns Manual, sharing copyrighted material without permission is not legal. Always ensure youre either creating your own or obtaining them from legitimate sources that allow sharing and downloading. Library Check if your local library offers eBook lending services. Many libraries have digital catalogs where you can borrow Gx160 Hayns Manual eBooks for free, including popular titles. Online Retailers: Websites like Amazon, Google Books, or Apple Books often sell eBooks. Sometimes, authors or publishers offer promotions or free periods for certain books. Authors Website Occasionally, authors provide excerpts or short stories for free on their websites. While this might not be the Gx160 Hayns Manual full book , it can give you a taste of the authors writing style. Subscription Services Platforms like Kindle Unlimited or Scribd offer subscription-based access to a wide range of Gx160 Hayns Manual eBooks, including some popular titles.

FAQs About Gx160 Hayns Manual Books

How do I know which eBook platform is the best for me? Finding the best eBook platform depends on your reading preferences and device compatibility. Research different platforms, read user reviews, and explore their features before

making a choice. Are free eBooks of good quality? Yes, many reputable platforms offer high-quality free eBooks, including classics and public domain works. However, make sure to verify the source to ensure the eBook credibility. Can I read eBooks without an eReader? Absolutely! Most eBook platforms offer web-based readers or mobile apps that allow you to read eBooks on your computer, tablet, or smartphone. How do I avoid digital eye strain while reading eBooks? To prevent digital eye strain, take regular breaks, adjust the font size and background color, and ensure proper lighting while reading eBooks. What the advantage of interactive eBooks? Interactive eBooks incorporate multimedia elements, quizzes, and activities, enhancing the reader engagement and providing a more immersive learning experience. Gx160 Hayns Manual is one of the best book in our library for free trial. We provide copy of Gx160 Hayns Manual in digital format, so the resources that you find are reliable. There are also many Ebooks of related with Gx160 Hayns Manual. Where to download Gx160 Hayns Manual online for free? Are you looking for Gx160 Hayns Manual PDF? This is definitely going to save you time and cash in something you should think about.

Find Gx160 Hayns Manual :

how to print your own fabric at home

how to get ame license

how to move beyond fear

how to make a bed runner

how to play it's raining on recorder

~~how to retire in 5 years with property~~

how to create a training manual template

how to get your ex back quiz

~~how to study for cpe exam~~

~~how to get statistics answers~~

how to train a dog to behave

how to overcome computer addiction

how to catch a turkey book pdf

how to play mah jongg beginner's guide

how to detox to pass a drug test

Gx160 Hayns Manual :

[download leica tcrp 1205 user manual pdf manuals group](#) - Nov 12 2022

web jan 20 2018 save this book to read leica tcr 1205 user manual pdf ebook at our online library get leica tcr 1205 user manual pdf file for free from our online library this are

[tcrp1205 r1000 gs12 smartantenna pdf leica geosystems](#) - Oct 23 2023

web user prog on f6 f ødn o o o o fi o pinpoint riooo f 12 jxl fli stu fio on pgup shift r 6 geosystems o bluetooth tcrp1205 caution jxl fli stu fio

leica tcrp 1205 user manual by wierie91 issuu - May 18 2023

web click leica tcrp 1201 for product info and updated pricing leica tps1200 technical specifications and system features tca tcp tcra tcrp type 1205 5 1 5 mgon

leica tcrp 1205 r300 user s guide instructions manual - Dec 13 2022

web leica tcrp 1205 user manual postal clerk 3 jan 29 2022 a soil owner s manual may 21 2021 there are many books that have been written about how to manipulate amend

leica tcrp 1205 manuale by freealtgen64 issuu - Jul 08 2022

web may 9 2018 leica tcrp 1205 manuale ppt file type pdf leica tcrp 1205 manuale tutorial file type pdf leica tcrp 1205 manuale chapter file type pdf leica tcrp

[leica tcrp 1205 manuale by tvchd066 issuu](#) - Apr 05 2022

web leica tcrp1205 5 motorized auto target total station id x1221 calibrated by a leica service center leica gkl211 battery charger w ac adapter qty 2 battery

[leica tcrp1205 total station tps1200 series](#) - Sep 22 2023

web this manual contains important safety directions as well as instructions for setting up the product and operating it refer to 6 safety directions for further information read

[leica tcrp1203 r300 total station pdf leica geosystems](#) - Feb 15 2023

web operating instructions user manual owner s manual installation manual workshop manual repair manual service manual illustrated parts list electric schematics

[leica tcrp 1205 manuale by thomas issuu](#) - Mar 04 2022

web the leica 1205 tcrp total station include the following features angle measurement distance sell leica tcrp1205 new leica tcrp1205 used leica tcrp1205

leica tcrp 1205 user manual cyberlab sutd edu sg - Jun 07 2022

web sep 14 2017 page 2 save this book to read leica tcrp 1205 manuale pdf ebook at our online library get leica tcrp 1205

manuale pdf file for free from our online library

tcp1205 r400 viva cs10 controller pdf cpe leica - Jul 20 2023

web summary of contents for leica tps1200 series page 1 leica tps1200 technical reference manual version 5 5 english page 2 the type and the serial number of your

leica tcp 1205 total stations - Apr 17 2023

web 3 cpe leica geosystems com us leica tcp1203 r300 total station html 17 11 23 description tcp1203 r300 total station smartworx tps reference line

leica tps1200 series technical reference - Jun 19 2023

web leica tps1200 technical specifications and system features tca tcp tcra tcp type 1205 5 1 5 mgon 0 1 0 1 mgon 4 0 07 gon 1 5 0 5 mgon tcrm models and

leica tcp1205 total station xpert survey equipment - Jan 02 2022

leica tcp 1205 total stations - Dec 01 2021

leica tcp 1205 manuale by rickyfox3350 issuu - Feb 03 2022

leica tcp1205 r400 total station xpert survey - Jan 14 2023

web specifications within this manual always applies to the following units units of length in m meter in addition within brackets in us ft feet units of angle in in addition

leica tcp 1205 user manual pdf cyberlab sutd edu sg - Sep 10 2022

web leica tcp 1205 user manual traveler response to transportation system changes jul 01 2023 track related research transportation engineers have used editions of the

leica tcr 1205 user manual by barryogorman2 issuu - Aug 09 2022

web nov 9 2023 leica tcp 1205 user manual pdf recent information on the status of large whales in california waters national center for education statistics user s

leica tcp 1201 total stations - Mar 16 2023

web user manual leica tcp 1205 this user manual also called owner s manual or operating instructions contains all information for the user to make full use of the

user manual engineering surveyor - Oct 11 2022

web jan 8 2018 leica tcp 1205 manuale pdf file type pdf leica tcp 1205 manuale ppt file type pdf leica tcp 1205 manuale

tutorial file type pdf leica tcrp 1205

leica tcrp 1205 user manual pdf mga db1 insurezone - May 06 2022

web aug 5 2017 leica tcrp 1205 manuale introduction the primary subject on this ebook is mostly lined about leica tcrp 1205 manuale and completed with all of the

leica tps1200 user manual sccs survey - Aug 21 2023

web o bluetooth tcrp1205 made in switzerland pors abc jkt tuv def mno wxyz fl 0 pinpeint r400 viva def mno vwx ghi pors ok abc jkl ruv def mno

abschiedbrauchtzeitpalliativmedizinundethik copy dev2 bryanu - Aug 03 2022

web ein greift philosophische und existenzielle fragen am ende des lebens und angesichts von sterben und tod auf beschreibt die psychologischen herausforderungen in der end of life care diskutiert ethische fragen am lebensende zu den themen behandlungsabbruch formen der sterbehilfe

abschied braucht zeit palliativmedizin und ethik ci kubesail - Jan 28 2022

web 2 abschied braucht zeit palliativmedizin und ethik 2021 07 27 methoden und interventionsmöglichkeiten der sozialen arbeit ein und bietet darüber hinaus zahlreiche praxisrelevante informationen dies macht das werk unverzichtbar für studierende der sozialen arbeit und zugleich für alle im hospiz und palliativbereich tätigen

abschied braucht zeit palliativmedizin und ethik des sterbens - Sep 04 2022

web auf unserer webseite werden neben den technisch erforderlichen cookies noch cookies zur statistischen auswertung gesetzt sie können die website auch ohne diese cookies nutzen

abschied braucht zeit palliativmedizin und ethik des sterbens - May 12 2023

web dabei geht es ihr nicht nur um schmerztherapie und angstlinderung um trost und beistand für die sterbenden und ihre angehörigen sondern auch darum dem tod raum und zeit zu geben

palliativmedizin abschied braucht zeit deutsches Ärzteblatt - Mar 10 2023

web artikel kommentare briefe statistik ja auch ich wünsche mir genügend zeit zum abschied zu haben schreibt h christof müller busch in seinem im august 2012 erschienenen buch über

abschied braucht zeit palliativmedizin und ethik des sterbens - Nov 06 2022

web abschied braucht zeit palliativmedizin und ethik des sterbens von bernd hontschik herausgeber h christof müller busch 13 august 2012 taschenbuch isbn kostenloser versand für alle bücher mit versand und verkauf duch amazon

abschiedbrauchtzeit palliativmedizinunde thik - Apr 30 2022

web fälle palliativmedizin 30 jahre leben mit ms lebensende sterben und tod ressourcenorientierte psychoonkologie musiktherapie in hospizarbeit und palliative care elf tage und ein jahr lebensende angewandte ethik und film abschied

braucht zeit gelingendes sterben praxis der achtsamkeit soziale arbeit in palliative care assistierter
abschied braucht zeit palliativmedizin und ethik pdf rdoforum gov - Feb 26 2022

web apr 9 2022 4 abschied braucht zeit palliativmedizin und ethik 2022 04 09 pflegedienst und pflegeheimleitungen
pflegende begleiter und betreuer alter menschen den letzten lebensabschnitt positiv und würdevoll gestalten das buchser
pflegeinventar für häusliche krisensituationen blick goldmann verlag für

abschiedbrauchtzeitpalliativmedizinundethik dev2 bryanu - Mar 30 2022

web wegbegleitung trost und hoffnung 100 fragen zu palliative care ratgeber lebensende sterben und tod abschied braucht
zeit palliative care resilienz bis ins hohe alter was wir von johann sebastian bach lernen können ressourcenorientierte
psychoonkologie spiritual care statt seelsorge dogmatik im diskurs lebensende fälle palliativmedizin

abschied braucht zeit palliativmedizin und ethik pdf pdf - Dec 27 2021

web nicht nur um schmerztherapie und angstlinderung um trost und beistand für die sterbenden und ihre angehörigen
sondern auch darum dem tod raum und zeit zu geben seinen moment zuzulassen

abschied braucht zeit palliativmedizin und ethik des sterbens - Jul 02 2022

web abschied braucht zeit palliativmedizin und ethik des sterbens 13 august 2012 isbn kostenloser versand für alle bücher
mit versand und verkauf duch amazon august 2012 amazon de bücher

abschied braucht zeit media suhrkamp de - Apr 11 2023

web abschied braucht zeit h christof müller busch abschied braucht zeit palliativmedizin und ethik des sterbens suhrkamp
medizinhuman suhrkamp taschenbuch 4368 abends friedlich einschlummern und im schlaf sanft hinübergleiten so stellen
sich viele von uns einen guten tod vor

abschied braucht zeit suhrkamp verlag - Jun 13 2023

web aug 13 2012 für schwerkranke menschen deren lebenszeit begrenzt ist sind dagegen oft andere dinge wichtig
ausreichend zeit für den abschied keine schmerzen zu

abschied braucht zeit palliativmedizin und ethik des sterbens - Feb 09 2023

web semantic scholar extracted view of abschied braucht zeit palliativmedizin und ethik des sterbens by h müller busch

abschied braucht zeit suhrkamp verlag - Jul 14 2023

web aug 13 2012 abschied braucht zeit palliativmedizin und ethik des sterbens buch suhrkamp taschenbuch von h christof
müller busch auf suhrkamp de bestellen

socialnet rezensionen abschied braucht zeit palliativmedizin und - Oct 05 2022

web apr 26 2013 monika nöcker ribaupierre rezension vom 26 04 2013 zu christof müller busch abschied braucht zeit
palliativmedizin und ethik des sterbens suhrkamp verlag frankfurt m 2012 isbn 978 3 518 46368 0 reihe suhrkamp

taschenbuch 4368 medizinhuman band 14

abschied braucht zeit palliativmedizin und ethik des sterbens - Jan 08 2023

web abschied braucht zeit palliativmedizin und ethik des sterbens medizinhuman 14 kindle ausgabe von h christof müller busch autor bernd hontschik herausgeber format kindle ausgabe 4 5 65 sternbewertungen teil von medizinhuman 17 bücher ethische aspekte der palliativmedizin springerlink - Dec 07 2022

web sep 16 2016 ergebnisse palliativmedizin ist keine luxusmedizin sondern muss zur grundversorgung zählen auf die jeder mensch ein anrecht hat soweit es einer verbesserung der versorgungslage bedarf ist es eine ethische pflicht diese voranzutreiben die frage nach einem guten sterben ist dabei äußerst vielschichtig

amazon de kundenrezensionen abschied braucht zeit palliativmedizin - Jun 01 2022

web finden sie hilfreiche kundenrezensionen und rezensionsbewertungen für abschied braucht zeit palliativmedizin und ethik des sterbens auf amazon de lesen sie ehrliche und unvoreingenommene rezensionen von unseren nutzern wir verwenden cookies und ähnliche tools die erforderlich sind um ihnen einkäufe zu ermöglichen ihr

abschied braucht zeit palliativmedizin und ethik des sterbens - Aug 15 2023

web abschied braucht zeit palliativmedizin und ethik des sterbens taschenbuch 13 august 2012 von bernd hontschik herausgeber h christof müller busch autor 4 5 64 sternbewertungen teil von medizinhuman 17 bücher alle

tattoo images art tattoo black and grey iii 120 designs - Aug 13 2023

web tattoo images art tattoo black and grey iii 120 designs paintings drawings and sketches planet tattoo book 2 ebook martini daniel amazon com au books

tattoo images art tattoo black and grey iii 120 d pdf - Apr 28 2022

web feb 27 2023 230 pretty black and grey tattoo designs 2023 tattoosboygirl vikas sindher february 27 2023 females black and grey tattoos are very popular in the

black and grey tattoo designs photos and premium high - Feb 07 2023

web find black and grey tattoo drawings designs stock images in hd and millions of other royalty free stock photos illustrations and vectors in the shutterstock collection

black and grey tattoo drawings designs royalty free images - Jan 06 2023

web 1 imagine tattoo studio credits imagine tattoo studio singapore highlights lgbtq friendly walk ins welcome transparent pricing to be consulted with the studio

15 realistic black and grey tattoo artists you should follow on ig - Aug 01 2022

web apr 7 2021 the connotation of grey and black tattoos differs from one design to another some of the most common meanings are love power rebellion memories religious

[tattoo images art tattoo black and grey iii 120](#) - Sep 14 2023

web dec 24 2014 tattoo images art tattoo black and grey iii 120 designs paintings drawings and sketches planet tattoo book 2 kindle edition by martini daniel

40 black and grey tattoo designs to enhance body art - Jun 30 2022

web the first steps in aftercare should be provided by the actual tattoo artist and then further instructions provided to the client for self care to be done by the tattoo artist with clean

tattoo guide by familiar strangers tattoo studio singapore - May 30 2022

web tattoo images art tattoo black and grey iii 120 d a flip through every page of my tattoo designs flash book volume 1 make tattoo design red black diy

[the ultimate guide to tattoo artists in singapore harper s](#) - Sep 02 2022

web may 21 2020 what are realistic black and grey tattoos the black and grey aesthetic is not the same as black and white in the tattoo industry a black and grey tattoo artist

[11 best tattoo artists in singapore 2022](#) - Dec 05 2022

web aug 10 2023 1 inkvasion tattoo studio 2 ink by finch tattoo piercing studio 3 bmf ink tattoo studio 4 8 volts tattoo 5 shadow show tattoo 6 c k tattoo

[black and grey tattoos 60 ideas things you](#) - Apr 09 2023

web jan 1 1970 this second volume of paintings drawings and sketches in black gray incorporates new and talented artists including the artworks of 37 worldwide tattooists

tattoo images art tattoo black and gray ii paintings - Mar 08 2023

web video 4 216 black and grey tattoo designs stock photos high res pictures browse 4 216 black and grey tattoo designs photos and images available or start a new

[top 18 best tattoo artists in singapore tropika club magazine](#) - Nov 04 2022

web magazine styles black and gray tattoo style 23 08 2022 anton yarovoy black and gray tattoo by inal bersekov black and gray tattooing is another popular style of

tattoo images art tattoo black and grey iii 120 d pdf - Dec 25 2021

[tattoo images art tattoo black and grey iii 120 d](#) - Jan 26 2022

web tattoo images art tattoo black and grey iii 120 d pdf yeah reviewing a ebook tattoo images art tattoo black and grey iii 120 d pdf could accumulate your near

[black and gray tattoo style all about black and gray tattooing](#) - Oct 03 2022

web sep 4 2017 gone are the days where tattoos come with a certain negative stigma previously associated with gangs and hoodlums these days tattoos are seen as a way

[tattoo images art tattoo black and grey iii shortform](#) - May 10 2023

web tattoo images art tattoo black and grey iii 120 designs paintings drawings and sketches planet tattoo daniel martini 3 83 40 ratings and reviews

[tattoo images art tattoo black and grey iii 120 desig](#) - Oct 15 2023

web read 5 reviews from the world s largest community for readers 122 paintings drawings and sketches with the aesthetics of black grey this third volume o tattoo images

[220 best black and gray tattoos ideas pinterest](#) - Jun 11 2023

web black and gray tattoos aug 19 2020 explore find tattoo design s board black and gray tattoos followed by 240 884 people on pinterest see more ideas about tattoos

230 pretty black and grey tattoo designs 2023 tattoosboygirl - Mar 28 2022

web apr 7 2019 and with the recommended tattooing list of the five best tattoo studios in singapore you may find the best match for your tattooing 1 familiar strangers tattoo

[amazon com customer reviews tattoo images art tattoo](#) - Jul 12 2023

web find helpful customer reviews and review ratings for tattoo images art tattoo black and grey iii 120 designs paintings drawings and sketches planet tattoo book 2 at

5 best singapore tattoo studios with most talented artists - Feb 24 2022

web stimulate metamorphosis is truly astonishing within the pages of tattoo images art tattoo black and grey iii 120 d an enthralling opus penned by a very acclaimed