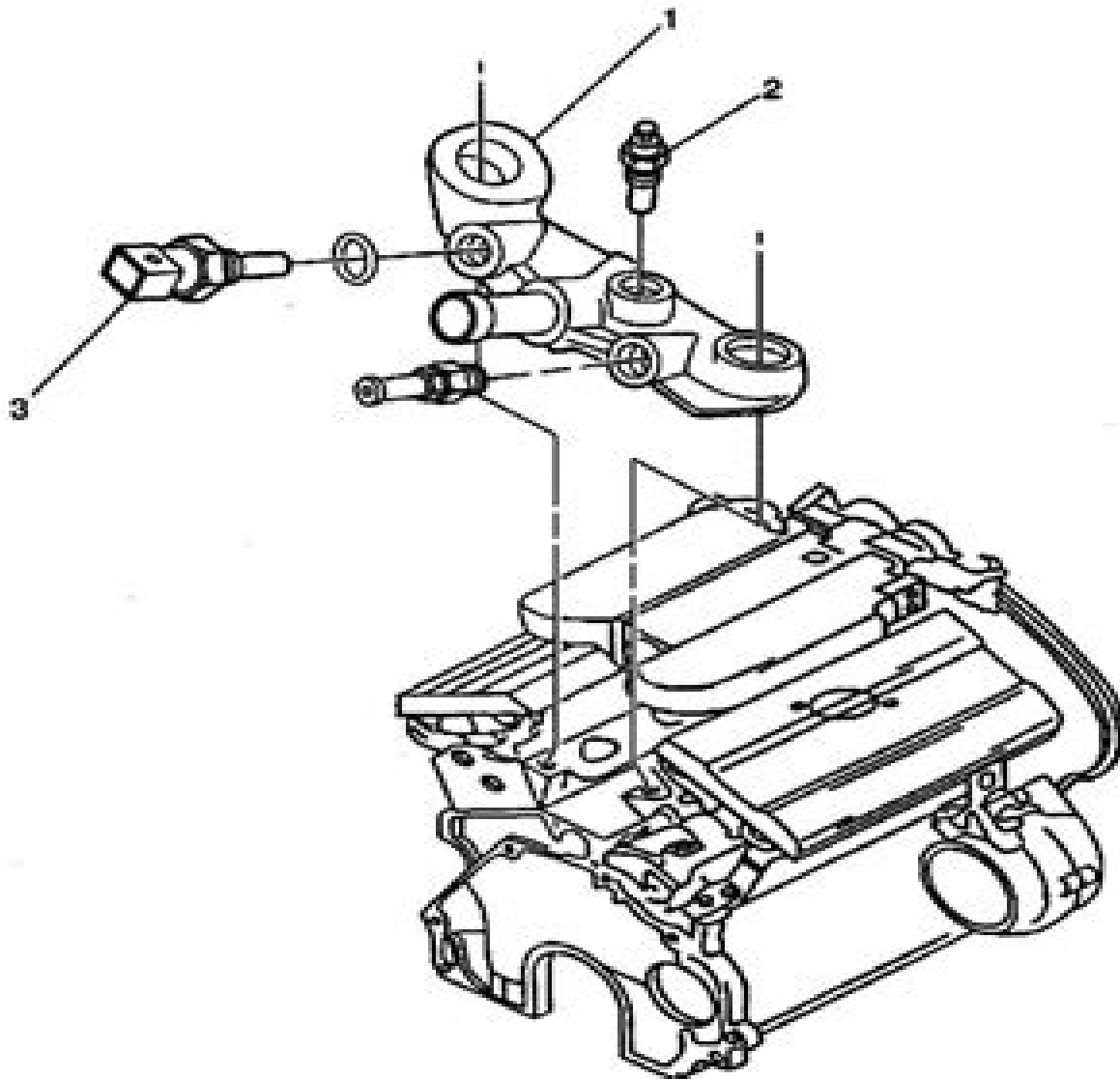


# Top View of Rear Engine



## Legend

(1) Coolant Bridge

(2) Coolant Temperature Sender

(3) Engine Coolant Temperature (ECT) Sensor

# 2001 Catera Engine Diagram

**Mark Mason**



## 2001 Catera Engine Diagram

Popular Science, 2002-12 Popular Science gives our readers the information and tools to improve their technology and their world The core belief that Popular Science and our readers share The future is going to be better and science and technology are the driving forces that will help make it better Critical Thinking Gregory Bassham, 2008 Through the use of humour fun exercises and a plethora of innovative and interesting selections from writers such as Dave Barry Al Franken J R R Tolkien as well as from the film The Matrix this text hones students critical thinking skills A Passion for Ideas Heinrich von Pierer, Bolko von Oetinger, 2002 Business and industry leaders are eager to find ways to spark the creative instinct in their work forces The creation implementation and sustainability of new ideas is the lifeblood ensuring the growth and viability of any organization Without continuing innovation competitive advantage and global market share are endangered Once thriving organizations can find themselves unprepared for the future This newly translated work examines the multi layered environment of innovation by melding the thoughts of business management pundits like Peter Senge with the views of artist politicians and other non traditional thinkers like Tao Ho Peter Greenaway and Wolfgang Rihm These thought leaders share their insights and help us to understand the process of creativity and construction and the methods to move organizations forward in an ever changing climate Marketing Management Christie L. Nordhielm, Marta Dapena Baron, 2014-01-07 Marketing Management The Big Picture organizes traditional Marketing Management theory and practice in a conceptually appealing way The use of well known examples and consumer commercials throughout the content ensures students will commit to memory and innovative method for structuring and solving marketing problems The framework constitutes a disciplined approach to connecting marketing variables to each other inextricably linking marketing strategy concepts with their executional implications **The Student's Elements of Geology** Sir Charles Lyell, 1871 **Saturn L-Series 2000-04 Repair Manual** Mike Stubblefield, 2004 All models Car Mary Walton, 1997 This astonishing journey into the belly of one of our most important industries a portrait of the energy and ingenuity of America at work follows the 1996 Ford Taurus from its conception to its public debut Car and Driver, 2000-07 American Multinationals and Japan Mark Mason, 1992 Drawing on rich historical materials from both sides of the Pacific including corporate records and government documents never before made public Mason examines the development of both Japanese policy towards foreign investment and the strategic responses of American corporations **Car Guys vs. Bean Counters** Bob Lutz, 2011-06-09 A legend in the car industry reveals the philosophy that's starting to turn General Motors around In 2001 General Motors hired Bob Lutz out of retirement with a mandate to save the company by making great cars again He launched a war against penny pinching office politics turf wars and risk avoidance After declaring bankruptcy during the recession of 2008 GM is back on track thanks to its embrace of Lutz's philosophy When Lutz got into the auto business in the early sixties CEOs knew that if

you captured the public's imagination with great cars the money would follow The car guys held sway and GM dominated with bold creative leadership and iconic brands like Cadillac Buick Pontiac Oldsmobile GMC and Chevrolet But then GM's leadership began to put their faith in analysis determined to eliminate the waste and personality worship of the bygone creative leaders Management got too smart for its own good With the bean counters firmly in charge carmakers and much of American industry lost their single minded focus on product excellence Decline followed Lutz's commonsense lessons with a generous helping of fascinating anecdotes will inspire readers at any company facing the bean counter analysis paralysis menace *Car Design Yearbook 1* Stephen Newbury,2002 The Car Design Yearbook 1 is the first volume of an innovative annual series that explores the world's latest concept and production cars Stephen Newbury reviews models ranging from the mass market to the most exotic of concept cars The Practice of English Language Teaching Jeremy Harmer,2010

**The Role of Glycosylation in Health and Disease** Gordan Lauc,Irena Trbojević-Akmačić,2021-09-08 Glycobiology is an emerging field of studying glycans sugars and glycoconjugates that are essentially involved in almost all biological processes from fine tuning glycoprotein function to protein protein interactions signaling immune response host pathogen interactions etc However due to structural complexity of glycans and analytical challenges this exciting field was lagging behind other areas of biology With technological advancements growing number of glycans functions are being discovered and the study of glycans is becoming a cutting edge discipline in basic and clinical research Despite recent developments in glycobiology field many aspects of glycosylation process still remain unknown both in a healthy human organism and in pathological states Human glycome is dynamic and changes with physiological triggers immune challenges and disease Atypical glycosylation is consequently a subject of disease biomarker research and a target for therapeutic interventions On the other hand properties of glycosylated biotherapeutics are predominantly determined by their glycans The Role of Glycosylation in Health and Disease provides a comprehensive overview of types and functions of glycans in a healthy human organism as well as their role in pathophysiology of different diseases and efficiency of glycosylated biotherapeutics Written by the experts in the field this book aims to bring glycobiology field closer to students researchers in life sciences and professionals in

biopharmaceutical industry *Elements of Geology* Sir Charles Lyell,1841 **National Automotive Sampling System, Crashworthiness Data System**,1995 *National Accident Sampling System*,1981 The Product Manager's Handbook Linda Gorchels,2000 This revised and updated edition fully integrates the Internet and other digital technologies into the product manager's portfolio of tools The book includes all new information on what it takes to be a successful product manager It explains the product manager's role in the planning process including strategic and operational planning how to evaluate product portfolios how to propose and develop successful new products and much more **BOOK JACKET** **If I Only Knew How to Read** Kimberly Coates,2013-02-13 Follow Paige an adorable book as she takes you on a fun adventure to discover why we all need to learn how to read Read If I Only Knew How To Tell Time for another learning adventure

**Taken for a Ride** Bill Vasic, Bradley A. Stertz, 2000-05-30 It was the deal heard round the world In May 1998 a stunning 36 billion merger was announced by Chrysler the all American automaker and Daimler Benz the German manufacturer of Mercedes Benz luxury sedans The Wall Street Journal christened the deal the biggest industrial merger of all time The marriage of Daimler and Chrysler promised to rock the global auto industry and draw up a blueprint for international consolidation on an epic scale But the union of Chrysler the blue collar maker of Jeeps and minivans with Daimler the crown jewel of German industry didn't turn out to be a merger made in heaven When the dust settled Daimler had bought Chrysler and the shock waves reverberated on both sides of the Atlantic An American icon lost its independence and a German giant grew in power and influence The DaimlerChrysler deal brought together two automotive superpowers and triggered a chain reaction among competitors seeking partners around the world In a gripping narrative ripped from the daily headlines Bill Vasic and Bradley A Stertz of the Detroit News go behind the scenes of the defining corporate drama of the decade With groundbreaking reporting they reveal the untold story behind the unsuccessful attempt to take over Chrysler by its biggest shareholder the reclusive billionaire Kirk Kerkorian and its legendary retired CEO Lee Iacocca Their startling grab for the smallest of Detroit's Big Three automakers sparked secret talks between Chrysler and Daimler on a massive joint venture The first deal collapsed but it set the stage for the final intense negotiations between Chrysler chairman Robert Eaton and Daimler chairman Jürgen Schrempp It was hailed as a historic merger of equals but the euphoria evaporated amid a clash of cultures identities and personalities The action moves feverishly around the world with larger than life characters in the high stakes arena of international automaking Taken for a Ride follows the twists and turns in the road to DaimlerChrysler and in the end emerges as a cautionary tale of the risks and rewards of going global *The Practice of Business Statistics* David S. Moore, 2009 This book immerses students in the course immediately involving them in practical statistics supported business decision making from the outset Using real data to provide a context for tackling modern business problems it introduces a range of core ideas early

[key production schemes worksheet answers e2020 zip full](#) - Jan 28 2022

web oct 23 2020 25 2 nuclear transformations worksheet answers piecewise answers helpful for is solving systems of equations production schemes worksheet defined

**pdf e2020 answer key biology pdf free idp2 kantarainitiative** - Mar 10 2023

web aug 22 2023 modern biology biology testpack answer key grade 10 4th edition modern biology biology lab manual answer key biology interactive reader answer

**e2020 answers github topics github** - Jul 14 2023

web sep 12 2022 add a description image and links to the e2020 answers topic page so that developers can more easily

learn about it curate this topic

*read free e2020 answer key biology* - Jan 08 2023

web e2020 answer key biology ch 1 review questions biology 2e openstax oct 18 2021 web the scientific method hypothesis based science inductive reasoning 8 the process of

e2020 answer key biology yvc moeys gov kh - Nov 06 2022

web e2020 answer key biology is available in our book collection an online access to it is set as public so you can download it instantly our digital library spans in multiple countries

e2020 answer key biology old vulkk com - Sep 04 2022

web 2 e2020 answer key biology 2021 06 23 could be used in undergraduate courses plant cell organelles evan moor educational publishers the ajn book of the year award

**edgenuity e2020 biology answers bookb eu** - Feb 26 2022

web edgenuity e2020 biology answers bookb eu answer collection edgenuity answers the answers are only for answers for biology chemistry i first had the idea to start this

*test answers 2023 edgenuity test answers biology* - May 12 2023

web jul 8 2020 free edgenuity test answers biology edgenuity vs e2020 answer keys e2020 recently changed its name to edgenuity however alot of the answers for subjects

**t ea 10 sınıf t 21d biyoloji cevap anahtarı** - Sep 23 2021

web t ea t 21d 10 sınıf biyoloji meb 2021 2022 Ölçme değerlendirme ve sınav hizmetleri genel müdürlüğü cevap anahtarı 2 tekrar testi 1 a 2

2020 meb ekys temel soru kitapçığı ve cevap anahtarı 10 - Apr 11 2023

web milli eğitim bakanlığı eğitim kurumlarına yönetici seçme sınavı 2020 meb ekys temel soru kitapçığı ve cevap anahtarı 10

**free e2020 biology answers cyberlab sutd edu sg** - Jul 02 2022

web e2020 biology answers biology may 22 2020 it contains a summary with occasional more detailed sections of all the mandatory sections of the practice tests with

e2020biologyanswerkey 2022 coconut gov - Apr 30 2022

web 10 01 00 gmt pdf edgenuity e2020 biology answer key pib biology home e2020 edgenuity answers how to pass edgenuity and e2020 e2020 answer key biology edgenuity

**e2020 answers for biology part pdf free download docplayer** - Aug 15 2023

web 1 e2020 answers for biology part free pdf ebook download e2020 answers for biology part download or read online ebook e2020 answers for biology part in pdf

2020 osym gov tr - Oct 25 2021

web nov 18 2020 2020 elektronik yabancı dil sınavı e yds 2020 7 almanca fransızca sonuçları açıklandı 19 07 2020

*e2020 answers biology secure4 khronos* - Jun 01 2022

web e2020 answer key biology adamgayle com this e2020 answers biology as one of the bulk operational sellers here will totally be joined by the best options to review e2020

2020 eus ve 2020 sts eczacılık temel soru kitapçıkları ve - Jun 13 2023

web nov 30 2020 29 kasım 2020 tarihinde uygulanan eczacılıkta uzmanlık eğitimi giriş sınavı 2020 eus ve eczacılık alanında yurtdışı yükseköğretim diploma denkliği için seviye

**e2020 answer key biology secure4 khronos** - Oct 05 2022

web may 27 2023 feasible in the route of them is this e2020 answer key biology that can be your associate as perceived venture as expertly as experience just about tutorial

*e2020 answers biology uniport edu ng* - Dec 07 2022

web jul 11 2023 e2020 answers biology 1 7 downloaded from uniport edu ng on july 11 2023 by guest e2020 answers biology spectrum language arts grade 8 2014 08

**e2020 biology b answers neurocme med ucla edu** - Dec 27 2021

web e2020 biology b answers 1 e2020 biology b answers as recognized adventure as capably as experience roughly lesson amusement as skillfully as arrangement can be

**download ebook e2020 answer key biology pdf file free** - Aug 03 2022

web aug 16 2023 e2020 answer key biology and numerous book collections from fictions to scientific research in any way in the midst of them is this e2020 answer key biology

*e2020 answer key biology help environment harvard edu* - Feb 09 2023

web e2020 answer key biology this is likewise one of the factors by obtaining the soft documents of this e2020 answer key biology by online you might not require more

neet 2020 solved questions booklet code e1 answer key - Mar 30 2022

web neet 2020 question paper solved questions of booklet code e1 neet2020 answerkey1 solvedquestions

neet 2020 solved question paper booklet code e3 answer - Nov 25 2021

web sep 18 2020 neet 2020 solved questions of booklet code e3 biology section neet2020 answerkeye3 solvedquestions e3

**cara beternak ayam petelur bagi peternak pemula rumahmigran** - Jan 09 2023

web nov 14 2021 rumahmigran com berkat permintaan telur yang tiada habisnya membuat usaha beternak ayam petelur memberikan potensi bisnis yang besar namun bagi pemula harus tahu bagaimana cara beternak ayam petelur yang tepat

sehingga mudah untuk dilakukan nantinya

### **cara mudah menentukan modal ternak ayam petelur 100 ekor - Dec 28 2021**

web dec 8 2021 modal usaha ternak ayam petelur awal yang telah dihitung sejumlah rp 2 818 500 rp 100 000 biaya vaksin rp 2 918 500 dengan demikian pendapatan bersih yang diperoleh sebesar rp 3 424 800 rp 2 918 500 rp 506 300 pendapatan tersebut sudah termasuk biaya ternak ayam petelur untuk pembuatan kandang

### **cara budidaya ayam petelur untuk pemula hasilkan telur - Jun 14 2023**

web apr 20 2022 bagi pemula memulai bisnis ayam petelur tentu membutuhkan panduan serta cara budidaya ayam petelur yang sesuai dengan kebutuhan untuk memulai skala pemula perlu memperhatikan dari segi biaya dan juga teknis kualitas yang digunakan

### *10 cara budidaya ayam petelur bagi pemula ilmubudidaya com - Jul 03 2022*

web aug 18 2017 berikut ini panduan lengkap cara berternak ayam petelur bagi pemula itulah 10 cara budidaya ayam petelur yang bisa anda ikuti agar mendapatkan hasil yang optimal semoga artikel ini membantu dan bermanfaat

### ringkasan cara beternak ayam petelur untuk pemula - Aug 04 2022

web jun 27 2023 berternak ayam petelur dapat menjadi usaha yang menguntungkan bagi pemula namun untuk mencapai keberhasilan dalam beternak peternak perlu memahami langkah langkah yang tepat dalam artikel ini kita akan membahas cara beternak ayam petelur untuk pemula secara lengkap dan mudah dipahami

### *7 cara beternak ayam petelur bagi pemula sampai proses - Feb 27 2022*

web jun 9 2023 cara beternak ayam petelur kebutuhan pasar yang semakin ramai bisnis peternakan ayam baik ayam petelur dan ayam pedaging meskipun semakin banyak peternak ayam petelur permintaan pasar terus bertambah sehingga dipasaran pasokan telur belum tercukupi terkadang bahkan cadangan telur yang sedikit membuat harga

### 8 cara ternak ayam petelur untuk pemula agar tidak rugi - Dec 08 2022

web feb 21 2022 daftar isi bagaimana cara beternak ayam petelur yang benar 1 mencari lokasi yang tepat 2 maksimalkan lahan 3 pilih bibit ayam yang bagus 4 memahami pakan dan nutrisinya 5 perhatikan minum ayam 6 berikan vaksin pada ayam 7 jaga kesehatan dan kebersihan ayam 8 sortir telur ayam ketika panen

### **panduan lengkap cara beternak ayam petelur pemula - May 13 2023**

web jun 7 2022 a bibit ayam petelur untuk memulai bisnis peternakan ayam petelur tentu saja anda harus memiliki bibit ayam petelur terlebih dahulu karena itu anda harus mengeluarkan modal untuk membeli ayam petelur pertama anda anda bisa membeli bibit ayam petelur sebanyak 50 ekor hingga 100 ekor tergantung dari modal yang anda miliki

### 8 tips cara mudah mulai ternak ayam petelur untuk pemula - Feb 10 2023

web 2 menyiapkan kandang cara ternak ayam petelur untuk pemula selanjutnya adalah menyediakan kandang yang baik dan



nyaman untuk ayam kandang yang baik dan aman sangat penting untuk keberhasilan peternakan ayam petelur pastikan kandang memiliki ukuran yang cukup untuk ayam anda dengan ruang yang cukup untuk bergerak

**cara beternak ayam petelur untuk pemula ternak pertama** - Jan 29 2022

web cara beternak ayam petelur sebelum bisnis ayam petelur dimulai terlebih dahulu harus mempersiapkan segala sesuatu yang diperlukan cara beternak ayam petelur untuk pemula secara singkat pemberian pakan ayam petelur di bagi menjadi 2 fase yakni fase starter umur 0 4 minggu dan fase finisher umur 4 6 minggu perhatikan

6 cara ternak ayam pedaging dan petelur untuk pemula - Mar 11 2023

web sep 16 2023 1 menentukan lokasi kandang langkah pertama dalam ternak ayam adalah menentukan lokasi kandang umumnya lokasi yang bagus adalah jauh dari pemukiman penduduk agar masyarakat tidak terganggu

**bisnis dan cara budidaya ternak ayam petelur untuk pemula** - Apr 12 2023

web dec 29 2022 1 mempersiapkan lokasi dan kandang cara pertama untuk budidaya ternak ayam petelur yaitu dengan mempersiapkan lokasi dimana kamu akan membuat kandang usahakan agar lokasi kandang yang kamu pilih terletak cukup jauh dari pemukiman warga supaya tidak mengganggu

**tips mudah ternak ayam petelur 100 ekor bagi pemula** - Sep 05 2022

web apr 30 2021 1 mengenali jenis ayam petelur jenis ayam petelur yang biasa dibudidayakan di indonesia ada 2 yaitu ayam coklat dan ayam putih beda jenis ayam beda pula harga jualnya dan besar keuntungan yang bisa diperoleh perbedaan ayam putih dan coklat ayam putih telurnya berwarna putih ukurannya relatif kecil

ternak ayam petelur bagi pemula peluang usaha youtube - Jun 02 2022

web cara memelihara ayam petelur ternak ayam petelur bagi pemula peluang usahabudidaya ayam petelur sangat gampang bisa dilihat videonya itu super gampang hanyy

analisa ternak ayam petelur 100 ekor untuk pemula - Jul 15 2023

web dec 7 2021 bagi anda peternak ayam petelur pemula semoga analisa kami ini bermanfaat bagi anda perlu di ingat analisa ini hanyalah untuk beternak dalam skala kecil seperti 100 sampai 500 ekor saja dan di dalam analisa tersebut belum termasuk biaya

*10 langkah cara ternak ayam petelur bagi pemula ekor9 com* - Nov 07 2022

web untuk pakan ayam petelur yang masih bibit lakukan dalam dua fase yaitu 1 fase starter pada usia 0 4 minggu dan 2 fase finishin di usia 4 6 minggu dengan intensitas 3 kali sehari dan terus bertambah setiap minggu 6 penyajian minum ayam petelur sebenarnya tidak ada minuman khusus untuk ayam petelur

**panduan lengkap ternak ayam petelur yang mudah bagi pemula** - Aug 16 2023

web jan 20 2018 cara ternak ayam petelur bagi pemula 1 persiapan lokasi kandang sebelum kita memulai usaha ternak

ayam petelur kita harus mempersiapkan kandangnya penempatan lokasi kandang juga harus diperhatikan karena jika tidak tentu akan timbul masalah nantinya

**cara beternak ayam petelur untuk pemula yang bermodal kecil** - Oct 06 2022

web februari 18 2021 begini cara beternak ayam petelur foto ist net cara beternak ayam petelur dengan modal kecil bisa menjadi pilihan untuk anda yang baru memulai usaha ini dengan mengenal tahapan ternak ayam ini akan memberikan pengalaman berharga jika berhasil akan lebih mudah untuk mengembangkannya

**7 cara beternak ayam petelur bagi pemula hot liputan6 com** - Mar 31 2022

web jun 17 2023 liputan6 com jakarta cara beternak ayam petelur bagi pemula diperlukan kehati hatian dan tahapan yang tidak boleh dilewatkan mengapa begitu sebab cara beternak ayam petelur bagi pemula selain harus memperhatikan aspek lingkungan juga memperhatikan kondisi dari calon bibit ayam petelur itu sendiri

[panduan lengkap cara ternak ayam petelur rekreartive](#) - May 01 2022

web dec 22 2022 ternak ayam petelur adalah bisnis pertanian yang menghasilkan telur yang bisa dijual ke pasar menyiapkan tempat yang sesuai ayam dengan umur yang sesuai pakan yang sesuai dan tempat penjualan telur yang tepat adalah beberapa hal yang perlu diperhatikan dalam memulai usaha ternak ayam petelur

*morocco türkçe Çeviri bab la İngilizce türkçe sözlük* - Jun 21 2021

web Ücretsiz İngilizce türkçe sözlükte morocco in karşılığı ve başka pek çok türkçe çeviri bab la online dictionaries vocabulary conjugation grammar share

*morocco 1 1 000 000 travel map geocart sic piopend info* - Jan 17 2021

web morocco 1 1 000 000 travel map geocart 6 borrow being able to gather integrate and visualize our student and financial data has helped us identify gaps in our services specifically student focused services the easier it is to gather and visualize data the more confident i am in the decisions i am making for the college

*morocco 1 1 250 000 by gizi* - Jun 09 2020

web morocco 1 1 250 000 by gizi morocco global money week april 28th 2020 250 000 number of people reached indirectly 3 500 000 moroccan foundation for financial education fmef morocco celebrated the 7th edition of global money week also known as journées de la finance pour les enfants et les jeunes au maroc

[morocco 1 1 250 000 by gizi tvl parisbytrain com](#) - Jul 11 2020

web morocco 1 1 250 000 by gizi xe convert mad usd morocco dirham to united states dollar may 3rd 2020 convert 1 moroccan dirham to us dollar get live exchange rates historical rates amp charts for mad to usd with xe s free currency

[morocco 1 1 250 000 by gizi media joomlashine com](#) - Aug 24 2021

web 1 100 000 with a resolution of 9 1 m px 250 000 morocco tunisia algeria road map 1 ft2 221 april 29th 2020

Összehasonlítani algeria road edition isbn 9789638703002 algeria at 1 2 500 000 in a road map version from gizi map with relief shading used to present the

[tureng morocco türkçe İngilizce sözlük](#) - Feb 27 2022

web İngilizce türkçe online sözlük tureng kelime ve terimleri çevir ve farklı aksanlarda sesli dinleme morocco faslı morocco slipper çedik morocco fas morocco leather ne demek

[morocco earthquake s destruction in maps videos and photos](#) - Jun 14 2023

web sep 9 2023 joe snell morocco s devastating 6 8 magnitude earthquake was the deadliest seismic event the country has experienced in more than a century and it has left behind a landscape of devastation in

**morocco 1 1 250 000 by gizi biblioteca ump edu pe** - May 21 2021

web morocco 1 1 250 000 by gizi tunisia morocco xe convert mad usd morocco dirham to united states dollar category old maps of morocco wikimedia mons morocco global money week moisture shampoo 1 000 ml gold of morocco use of phosphate rocks for sustainable agriculture download morocco topographic maps mapstor

[turkey time to morocco time converter timebie](#) - Dec 16 2020

web turkey time and morocco time converter calculator turkey time and morocco time conversion table timebie home over 56 000 migrants intercepted by morocco in 2022 anadolu - May 01 2022

web nov 13 2022 moroccan authorities have intercepted thousands of illegal migrants in the first eight months of 2022 according to a parliamentary report the report said that over 56 000 migrants were prevented

**1 000 year old alien corpses displayed in glass cases in mexico** - Mar 19 2021

web sep 13 2023 the mummified specimens were displayed in glass cases as part of an official unveiling at mexico s congress in a hearing which has stirred excitement among ufo unidentified flying object

[morocco 1 1 250 000 download only old vulkk](#) - Jul 03 2022

web morocco 1 1 250 000 u s foreign trade the geographical journal bulletin of the bureau of agricultural intelligence and of plant diseases list of titles added to the catalogue roads to ruin the war for morocco in the sixteenth century international organization and conference series agricultural statistics international review of the science

**morocco earthquake kills more than 1 000 npr** - Jul 15 2023

web sep 9 2023 a powerful earthquake in morocco has killed more than 1 000 people rescue attempts are made more difficult as the quake s epicenter is in the rugged atlas mountains a rare powerful earthquake

**morocco 1 1 250 000 by gizi online kptm edu my** - Aug 12 2020

web sep 3 2023 effective regulation case study morocco 2001 250 000 morocco tunisia algeria road map 1 ft2 221

apartment islane 1 agadir morocco bewertungen leishmaniasis 2014 investment april 16th 2020 1 nena soil partnership

conference towards a regional It 1 250 000 the french soil classification system cps

**morocco 1 1 250 000 by gizi f1test f1experiences** - Feb 15 2021

web same way attain not reveal the magazine morocco 1 1 250 000 by gizi that you are looking for we settle for morocco 1 1 250 000 by gizi and countless books gatherings from fictions to scientific studyh in any way it is your certainly own mature to portray examining routine simply stated the morocco 1 1 250 000 by gizi is commonly

*morocco 1 1 000 000 2023 sheet map folded waterstones* - Oct 26 2021

web oct 10 2022 buy morocco 1 1 000 000 2023 from waterstones today click and collect from your local waterstones or get free uk delivery on orders over 25

*morocco earthquake more than 2 000 dead as tremors felt in* - Oct 06 2022

web sep 9 2023 a strong earthquake of magnitude 6.8 has struck central morocco killing more than 2 000 people and causing severe damage in several areas residents rushed into the streets when the quake struck

*libya floods death toll rises past 2 000 as rescuers search* - Nov 26 2021

web sep 12 2023 americas 1 212 318 2000 emea 44 20 7330 7500 asia pacific 65 6212 1000 nyc penthouse once listed for record 250 million gets 22 price cut featured how to invest view more wealth

*morocco schedule 2022 transfermarkt* - Jul 23 2021

web morocco 1 2 1 2022 world cup 315 15 m total market value squad size 45 000 4 1 africa cup of nations compact detailed matchday date time venue ranking opponent system of play attendance result group c mon jan 10 2022 5 00 pm

morocco 1 1 250 000 by gizi network eve gd - Sep 24 2021

web morocco 1 1 250 000 by gizi morocco may 4th 2020 morocco s capital city is rabat its largest city is its main port casablanca other cities recording a population over 500 000 in the 2014 moroccan census are fes marrakesh meknes salé and tangier morocco is represented in the iso 3166 1 alpha 2 geographical encoding standard by the symbol ma

**libya floods morocco quake leave 8 000 dead as politics** - Nov 07 2022

web september 13 2023 at 4 46 am pdt about 8 000 people have died and thousands more are injured or missing in the disasters that struck the two north african nations of morocco and libya within

*morocco earthquake death toll nears 3 000 king mohammed* - Jan 09 2023

web september 13 2023 at 1 14 am pdt listen 3 18 morocco s king mohammed vi visited earthquake victims in marrakech as the death toll neared 3 000 people from a disaster that cast a spotlight on

**all zip codes in morocco in** - Nov 14 2020

web sep 1 2023 newton in area code s telephone area code s that are associated with morocco in area codes are used in the north american numbering plan nanp to facilitate phone routing there are approximately 350 area codes in use in the united

states 219 timezone s time zone designation within the u s

**libya floods morocco earthquake death toll nears 9 000** - Feb 10 2023

web september 14 2023 at 1 55 am pdt rescuers waded in waist deep water in libya and dug through crumbled mud brick buildings in morocco in search of survivors after dual natural disasters over the

*morocco 1 1 250 000 by gizi f1test f1experiences* - Sep 12 2020

web jun 16 2023 such a referred morocco 1 1 250 000 by gizi books that will find the money for you worth fetch the unquestionably best seller from us nowfrom multiple chosen authors in particular situations you also succeed not explore the publication morocco 1 1 250 000 by gizi that you are looking for

*photos powerful earthquake in morocco kills nearly 2 500 los* - Mar 11 2023

web sep 9 2023 published sept 9 2023 updated sept 11 2023 8 34 am pt a rare powerful earthquake struck morocco late friday killing nearly 2 500 people and damaging buildings in a swath of destruction

morocco neresi hangi Ülke türkçesi İngilizcesi ne demek - Apr 19 2021

web morocco neresidir kuzey afrika ülkesi olan fas ülkesinin başkenti rabat kentidir ve para birimi olarak dirhemi kullanmaktadırlar Ünlü gezgin battuta bu ülkede doğmuş ve dünyayı gezmeye başlamıştır dünyaca bilinen marakeş kazablanka fes suvayr ve tanca gibi turistik şehirleri vardır

**morocco eu provides 1 million in humanitarian aid in response** - May 13 2023

web sep 11 2023 in response to the deadly earthquake of magnitude 6 8 that struck central morocco on the night of 8 september the eu is releasing an initial funding of 1 million in humanitarian aid to assist the most affected people this funding aims to support the relief efforts carried out by humanitarian partners in the country

plus de 2 000 morts dans un puissant séisme au maroc - Sep 05 2022

web sep 9 2023 un puissant séisme a frappé le maroc dans la nuit de vendredi 8 à samedi 9 septembre faisant 296 morts et 153 blessés selon un bilan officiel provisoire publié par le ministère de l

*morocco in mourning following deadliest quake in six decades* - Dec 08 2022

web september 9 2023 at 4 41 pm pdt listen 3 11 morocco authorities searched for survivors as aid offers poured in from around the world following a powerful earthquake that killed more than 2 000

*libya da sel uluslararası yardım ülkeye ulaşmaya başladı* - Aug 04 2022

web 22 hours ago büyük çaplı uluslararası yardım cumartesi günü libya ya ulaşmaya başladı ancak selin yol açtığı yıkım nedeniyle derne de hayatta kalanlar yardımlara erişmekte zorluklar

**morocco gizi 1 1 250 000 themapcentre com** - Dec 28 2021

web morocco gizi 1 1 250 000 please note delivery for this map is usually 5 to 7 days uk morocco at 1 1 250 000 on an

indexed map from gizi map with

**does anyone have a geological map 1 1 000 000 or 1 50k of morocco** - Jun 02 2022

web mar 5 2021 e g a more general one by brumnich 1936 1 500 000 here or one with stratigraphic petrographic details about central morocco by termier 1932 1 200 000 here share improve this answer

[morocco earthquake live updates more than 2 000 dead](#) - Apr 12 2023

web sep 10 2023 hundreds sleep outdoors in marrakech after deadly earthquake in morocco sept 9 202301 25 just a few minutes down the road though a line of people was waiting to get into a nightclub and

**september 9 2023 earthquake hits morocco cnn** - Aug 16 2023

web sep 9 2023 hundreds dead after quake strikes morocco state tv reports from cnn s mohammed tawfeeq at least 296 people have been killed and more than 150 wounded after an earthquake of magnitude 6 8 hit

**morocco 1 1 250 000 geographical travel map gizi map** - Mar 31 2022

web buy morocco 1 1 250 000 geographical travel map gizi by gizimapshu isbn from amazon s book store everyday low prices and free delivery on eligible orders

**downloadable free pdfs morocco 1 1 250 000 pdf gcca eu** - Jan 29 2022

web mar 23 2023 right here we have countless book morocco 1 1 250 000 pdf and collections to check out we additionally meet the expense of variant types and as well as type of the books to browse

**morocco 1 1 250 000 by gizi tug do nlnetlabs nl** - Oct 14 2020

web april 16th 2020 1 nena soil partnership conference towards a regional lt 1 250 000 the french soil classification system cpcs of 1967 is almost the unique legend used a schematic general soil map of morocco was prepared at the scale of 1 2 500 000 characterization of soil resources 02 06 2015 5 exemple of soil maps

If you ally need such a referred **2001 Catera Engine Diagram** ebook that will pay for you worth, get the agreed best seller from us currently from several preferred authors. If you want to entertaining books, lots of novels, tale, jokes, and more fictions collections are after that launched, from best seller to one of the most current released.

You may not be perplexed to enjoy all book collections 2001 Catera Engine Diagram that we will categorically offer. It is not going on for the costs. Its practically what you compulsion currently. This 2001 Catera Engine Diagram, as one of the most functional sellers here will certainly be along with the best options to review.

[https://offsite.creighton.edu/files/virtual-library/Documents/mrap\\_maxx\\_pro.pdf](https://offsite.creighton.edu/files/virtual-library/Documents/mrap_maxx_pro.pdf)

[https://offsite.creighton.edu/files/virtual-library/Documents/mr\\_freeze\\_new\\_52.pdf](https://offsite.creighton.edu/files/virtual-library/Documents/mr_freeze_new_52.pdf)

[https://offsite.creighton.edu/files/virtual-library/Documents/money\\_banking\\_and\\_financial\\_markets.pdf](https://offsite.creighton.edu/files/virtual-library/Documents/money_banking_and_financial_markets.pdf)

## **Table of Contents 2001 Catera Engine Diagram**

1. Understanding the eBook 2001 Catera Engine Diagram
  - The Rise of Digital Reading 2001 Catera Engine Diagram
  - Advantages of eBooks Over Traditional Books
2. Identifying 2001 Catera Engine Diagram
  - Exploring Different Genres
  - Considering Fiction vs. Non-Fiction
  - Determining Your Reading Goals
3. Choosing the Right eBook Platform
  - Popular eBook Platforms
  - Features to Look for in an 2001 Catera Engine Diagram

- User-Friendly Interface
- 4. Exploring eBook Recommendations from 2001 Catera Engine Diagram
  - Personalized Recommendations
  - 2001 Catera Engine Diagram User Reviews and Ratings
  - 2001 Catera Engine Diagram and Bestseller Lists
- 5. Accessing 2001 Catera Engine Diagram Free and Paid eBooks
  - 2001 Catera Engine Diagram Public Domain eBooks
  - 2001 Catera Engine Diagram eBook Subscription Services
  - 2001 Catera Engine Diagram Budget-Friendly Options
- 6. Navigating 2001 Catera Engine Diagram eBook Formats
  - ePub, PDF, MOBI, and More
  - 2001 Catera Engine Diagram Compatibility with Devices
  - 2001 Catera Engine Diagram Enhanced eBook Features
- 7. Enhancing Your Reading Experience
  - Adjustable Fonts and Text Sizes of 2001 Catera Engine Diagram
  - Highlighting and Note-Taking 2001 Catera Engine Diagram
  - Interactive Elements 2001 Catera Engine Diagram
- 8. Staying Engaged with 2001 Catera Engine Diagram
  - Joining Online Reading Communities
  - Participating in Virtual Book Clubs
  - Following Authors and Publishers 2001 Catera Engine Diagram
- 9. Balancing eBooks and Physical Books 2001 Catera Engine Diagram
  - Benefits of a Digital Library
  - Creating a Diverse Reading Collection 2001 Catera Engine Diagram
- 10. Overcoming Reading Challenges
  - Dealing with Digital Eye Strain
  - Minimizing Distractions
  - Managing Screen Time
- 11. Cultivating a Reading Routine 2001 Catera Engine Diagram
  - Setting Reading Goals 2001 Catera Engine Diagram



- Carving Out Dedicated Reading Time
- 12. Sourcing Reliable Information of 2001 Catera Engine Diagram
  - Fact-Checking eBook Content of 2001 Catera Engine Diagram
  - Distinguishing Credible Sources
- 13. Promoting Lifelong Learning
  - Utilizing eBooks for Skill Development
  - Exploring Educational eBooks
- 14. Embracing eBook Trends
  - Integration of Multimedia Elements
  - Interactive and Gamified eBooks

### **2001 Catera Engine Diagram Introduction**

In this digital age, the convenience of accessing information at our fingertips has become a necessity. Whether its research papers, eBooks, or user manuals, PDF files have become the preferred format for sharing and reading documents. However, the cost associated with purchasing PDF files can sometimes be a barrier for many individuals and organizations. Thankfully, there are numerous websites and platforms that allow users to download free PDF files legally. In this article, we will explore some of the best platforms to download free PDFs. One of the most popular platforms to download free PDF files is Project Gutenberg. This online library offers over 60,000 free eBooks that are in the public domain. From classic literature to historical documents, Project Gutenberg provides a wide range of PDF files that can be downloaded and enjoyed on various devices. The website is user-friendly and allows users to search for specific titles or browse through different categories. Another reliable platform for downloading 2001 Catera Engine Diagram free PDF files is Open Library. With its vast collection of over 1 million eBooks, Open Library has something for every reader. The website offers a seamless experience by providing options to borrow or download PDF files. Users simply need to create a free account to access this treasure trove of knowledge. Open Library also allows users to contribute by uploading and sharing their own PDF files, making it a collaborative platform for book enthusiasts. For those interested in academic resources, there are websites dedicated to providing free PDFs of research papers and scientific articles. One such website is Academia.edu, which allows researchers and scholars to share their work with a global audience. Users can download PDF files of research papers, theses, and dissertations covering a wide range of subjects. Academia.edu also provides a platform for discussions and networking within the academic community. When it comes to downloading 2001 Catera Engine Diagram free PDF files of magazines, brochures, and catalogs, Issuu is a popular choice. This digital publishing platform hosts a vast collection of publications

from around the world. Users can search for specific titles or explore various categories and genres. Issuu offers a seamless reading experience with its user-friendly interface and allows users to download PDF files for offline reading. Apart from dedicated platforms, search engines also play a crucial role in finding free PDF files. Google, for instance, has an advanced search feature that allows users to filter results by file type. By specifying the file type as "PDF," users can find websites that offer free PDF downloads on a specific topic. While downloading 2001 Catera Engine Diagram free PDF files is convenient, its important to note that copyright laws must be respected. Always ensure that the PDF files you download are legally available for free. Many authors and publishers voluntarily provide free PDF versions of their work, but its essential to be cautious and verify the authenticity of the source before downloading 2001 Catera Engine Diagram. In conclusion, the internet offers numerous platforms and websites that allow users to download free PDF files legally. Whether its classic literature, research papers, or magazines, there is something for everyone. The platforms mentioned in this article, such as Project Gutenberg, Open Library, Academia.edu, and Issuu, provide access to a vast collection of PDF files. However, users should always be cautious and verify the legality of the source before downloading 2001 Catera Engine Diagram any PDF files. With these platforms, the world of PDF downloads is just a click away.

### **FAQs About 2001 Catera Engine Diagram Books**

How do I know which eBook platform is the best for me? Finding the best eBook platform depends on your reading preferences and device compatibility. Research different platforms, read user reviews, and explore their features before making a choice. Are free eBooks of good quality? Yes, many reputable platforms offer high-quality free eBooks, including classics and public domain works. However, make sure to verify the source to ensure the eBook credibility. Can I read eBooks without an eReader? Absolutely! Most eBook platforms offer webbased readers or mobile apps that allow you to read eBooks on your computer, tablet, or smartphone. How do I avoid digital eye strain while reading eBooks? To prevent digital eye strain, take regular breaks, adjust the font size and background color, and ensure proper lighting while reading eBooks. What the advantage of interactive eBooks? Interactive eBooks incorporate multimedia elements, quizzes, and activities, enhancing the reader engagement and providing a more immersive learning experience. 2001 Catera Engine Diagram is one of the best book in our library for free trial. We provide copy of 2001 Catera Engine Diagram in digital format, so the resources that you find are reliable. There are also many Ebooks of related with 2001 Catera Engine Diagram. Where to download 2001 Catera Engine Diagram online for free? Are you looking for 2001 Catera Engine Diagram PDF? This is definitely going to save you time and cash in something you should think about. If you trying to find then search around for online. Without a doubt there are numerous these available and many of them have the freedom. However without doubt you

receive whatever you purchase. An alternate way to get ideas is always to check another 2001 Catera Engine Diagram. This method for see exactly what may be included and adopt these ideas to your book. This site will almost certainly help you save time and effort, money and stress. If you are looking for free books then you really should consider finding to assist you try this. Several of 2001 Catera Engine Diagram are for sale to free while some are payable. If you arent sure if the books you would like to download works with for usage along with your computer, it is possible to download free trials. The free guides make it easy for someone to free access online library for download books to your device. You can get free download on free trial for lots of books categories. Our library is the biggest of these that have literally hundreds of thousands of different products categories represented. You will also see that there are specific sites catered to different product types or categories, brands or niches related with 2001 Catera Engine Diagram. So depending on what exactly you are searching, you will be able to choose e books to suit your own need. Need to access completely for Campbell Biology Seventh Edition book? Access Ebook without any digging. And by having access to our ebook online or by storing it on your computer, you have convenient answers with 2001 Catera Engine Diagram To get started finding 2001 Catera Engine Diagram, you are right to find our website which has a comprehensive collection of books online. Our library is the biggest of these that have literally hundreds of thousands of different products represented. You will also see that there are specific sites catered to different categories or niches related with 2001 Catera Engine Diagram So depending on what exactly you are searching, you will be able to choose ebook to suit your own need. Thank you for reading 2001 Catera Engine Diagram. Maybe you have knowledge that, people have search numerous times for their favorite readings like this 2001 Catera Engine Diagram, but end up in harmful downloads. Rather than reading a good book with a cup of coffee in the afternoon, instead they juggled with some harmful bugs inside their laptop. 2001 Catera Engine Diagram is available in our book collection an online access to it is set as public so you can download it instantly. Our digital library spans in multiple locations, allowing you to get the most less latency time to download any of our books like this one. Merely said, 2001 Catera Engine Diagram is universally compatible with any devices to read.

### **Find 2001 Catera Engine Diagram :**

[mrp maxx pro](#)

[mr freeze new 52](#)

[money banking and financial markets](#)

[movie song duets](#)

[money tree coloring page](#)

[mojave limestone guidebook](#)

modern monetary theory debunked

*modern physics multiple choice questions*

*mollie steves zachry texas arboretum*

most precious gift in the world

**moves that matter**

**mushrooms in new england**

ms diet recipes

~~mysore university distance education~~

**mount olympus books**

**2001 Catera Engine Diagram :**