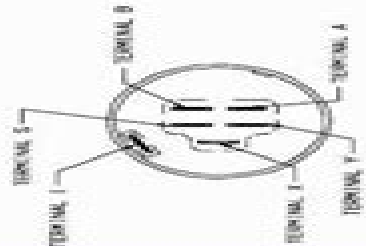
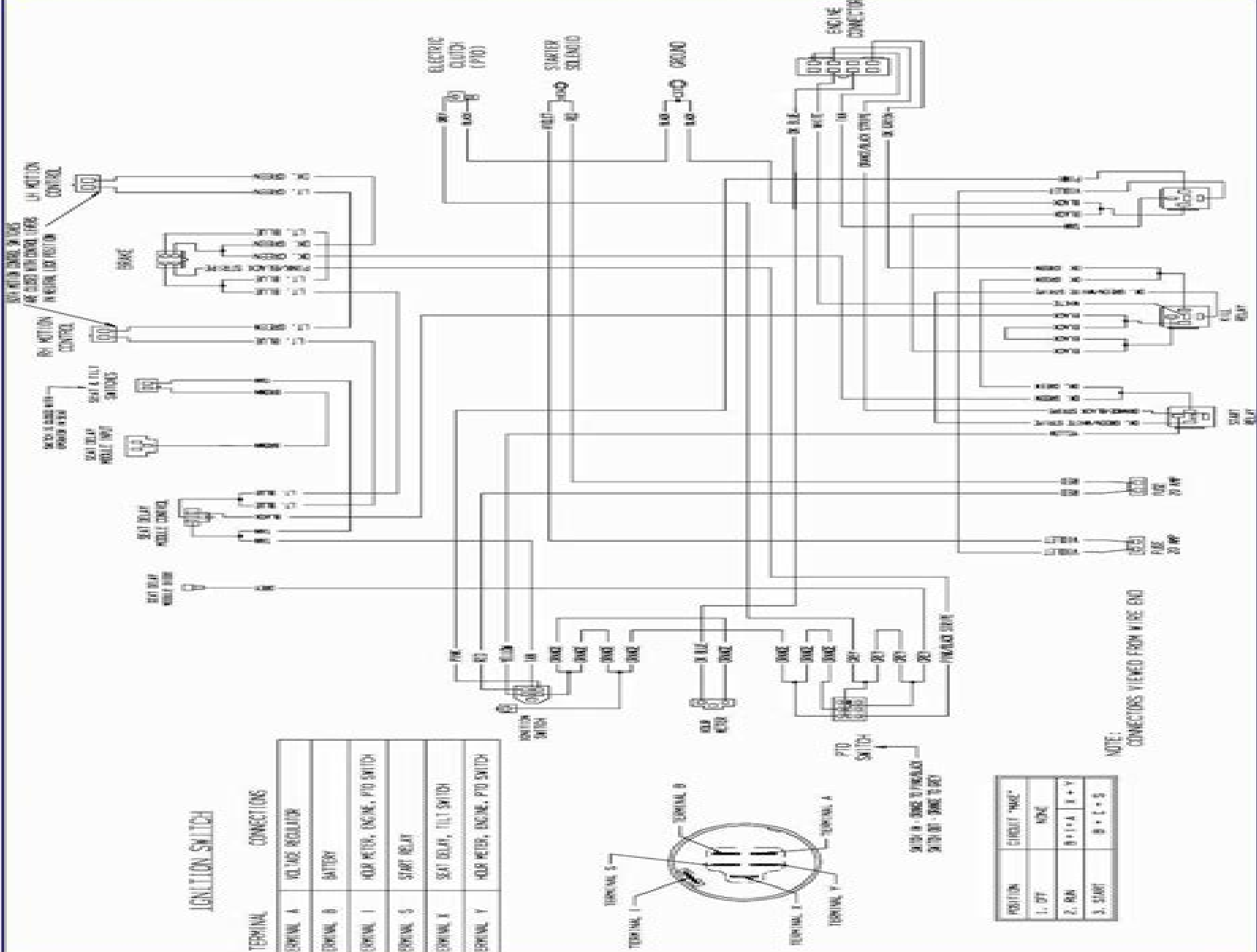


IGNITION SWITCH

TERMINAL CONNECTIONS

TERMINAL	CONNECTIONS
TERMINAL A	VOLTAZ REGULATOR
TERMINAL B	BATTERY
TERMINAL I	400 WATT, ENGINE, PTO SWITCH
TERMINAL S	START RELAY
TERMINAL X	SAF RELAY, TILT SWITCH
TERMINAL Y	400 WATT, ENGINE, PTO SWITCH



POSITION	CIRCUIT "MODE"
1. OFF	NONE
2. RUN	B + I + A
3. START	B + I + S

NOTE:
CONNECTORS VIEWED FROM WIRE END

Exmark Electrical Troubleshooting Guide

Interstate Battery System of America



Exmark Electrical Troubleshooting Guide

RV Electrical Systems: A Basic Guide to Troubleshooting, Repairing and Improvement Bill Moeller, Jan Moeller, 1994-10-22 This problem solving reference answers questions such as Why do interior lights dim or burn out rapidly and Why won't the batteries recharge after a night without electricity *Interstate Batteries Automotive Electrical Troubleshooting Manual* Interstate Battery System of America, 1994

Auto Electrical System Repair and Diagnosis Guide cartechhome, This Ebook covers the diagnosis and repair of auto electrical systems such as the charging system starting system lighting system wiper system and some electrical components as well as a car troubleshooting guide which will help you with your car electrical problems *Electrician's Troubleshooting and Testing Pocket Guide, Third Edition* Brooke Stauffer, John E. Traister, 2007-03-16 The ultimate electrical equipment troubleshooting pocket guide Designed for quick reference at any job site the Electrician's Troubleshooting and Testing Pocket Guide enables electricians using portable meters to test maintain and troubleshoot all types of electrical equipment and systems This updated classic now features Expert guidance on all the latest troubleshooting tools testing instruments systems and equipment Time saving charts tables and diagrams for assuring quality and safety compliance Vital material on personal protective equipment PPE required for testing energized circuits NEW material coverage of new equipment such as infrared scanners and power quality analyzers information and guidelines that comply with new NFPA 70E safety requirements *1985 Oldsmobile Electrical Troubleshooting Manual* General Motors Corporation, 1983

The Electrician's Troubleshooting and Testing Pocket Guide John E. Traister, H. Brooke Stauffer, 2000 Whether you're an electrician or a consulting or plant engineer if you use portable meters to test maintain and troubleshoot electrical equipment and systems this quick look up pocket sized resource delivers key information where you need it most on the job *RV Electrical Systems: A Basic Guide to Troubleshooting, Repairing and Improvement* Moeller, 1994-09

Oldsmobile Electrical Troubleshooting Manual All Series General Motors Corporation. Oldsmobile Division. Service Department, 1984

Automotive Electrical Troubleshooting Handbook Ben Watson, 2010-08 The Automotive Electrical Troubleshooting Handbook takes a simple and straightforward approach in how to use the most basic test instruments such as voltmeter's ohm meters and ammeter's to troubleshoot automotive electrical systems Sections of the book also deal with electronics in the simple ways to diagnose sensors and actuators Whether you are a professional technician with dozens of years of experience or a basic backyard wrench this book can help you with simple ways of troubleshooting the complex *ATMT Electrical Troubleshooting Reference Guide* American Trainco, 2013-03-01 Reference guide containing charts and formulas for electrical troubleshooting rules and concepts

Audels Home Appliance Service Guide Edwin P. Anderson, 1960

Electrical Troubleshooting Student Manual Donald Franklin, 2013-01-01 Learn how to diagnose common irrigation faults found in the field This workbook covers meters

commonly used in landscape systems and how to read them as well as the recommended sequence to troubleshoot electrical problems Appropriate for use as a lecture or laboratory exercise [Cadillac Electrical Troubleshooting Manual](#) General Motors Corporation, Cadillac Motor Division,1982 **Electrical Troubleshooting Manual** Mercedes-Benz of North America,1990 [Electrical Troubleshooting Manual](#) Mercedes-Benz of North America,1992* [Automotive Electrical Manual](#) John Haynes,1990-06-24 Your complete guide to electrical system troubleshooting repair maintenance and rewiring Clear step by step instructions and hundreds of photos show you how to do a professional job yourself **3.5 RL 1996 Electrical Troubleshooting Manual** ,1996 **Prelude 97-98 Electrical Troubleshooting Manual** ,1998 **2.5 TL 1995-96 Electrical Troubleshooting Manual** ,1995 [Hyundai Santa Fe 2001 Electrical Troubleshooting Manual](#) Hyundai Motor Co,2000

free little people big dreams martin luther king jr fact file - Apr 18 2022

web little people big dreamsmartin luther king jr discover the lives of outstanding people from designers and artists to scientists all of them achieved incredi

[martin luther king jr little people big dreams read by lolly](#) - Feb 14 2022

martin luther king jr volume 33 waterstones - Mar 30 2023

web feb 4 2020 from the critically acclaimed little people big dreams series discover the life of martin luther king jr the inspiring minister and civil rights activist little martin

little people big dreams martin luther kin jr youtube - Jul 22 2022

web some facts about martin luther king jr martin was imprisoned almost 30 times in his life over 250 000 people witnessed martin s i have a dream speech martin found out that

review martin luther king jr little people big deams - Dec 27 2022

web jan 28 2021 in january this program fell on martin luther king day so it felt like a great time to feature martin luther king jr in my little people big dreams storytime each

[martin luther king jr little people big dreams](#) - Sep 04 2023

1 coco chanel 2016 illustrated by ana albero 2 Frida Kahlo 2016 illustrated by gee fan eng 3 amelia earhart 2016 illustrated by mariadiamantes 4 maya angelou 2016 illustrated by leire salaberria

martin luther king jr little people big dreams - Oct 05 2023

web jan 7 2020 in this book from the critically acclaimed multimillion copy best selling little people big dreams series discover the life of martin luther king jr the inspiring

[martin luther king jr i have a dream speech 1963](#) - Aug 23 2022

web jan 12 2021 little people big dreams martin luther king jr written by maria isabel sánchez vegara illustrated by mai ly degnan this past weekend i took home a stack

[martin luther king jr little people big dreams i read aloud i](#) - Nov 25 2022

web martin luther king jr on august 28 1963 some 100 years after president abraham lincoln signed the emancipation proclamation freeing the slaves a young man named

martin luther king jr 33 little people big dreams - Jun 01 2023

web feb 4 2020 synopsis the life of the legendary civil rights activist is celebrated in this exquisite addition to the little people big dreams range making king s inspiring work

little people big dreams martin luther king jr - Oct 25 2022

web enjoy this book purchase it here to cherish it as yours amzn to 2kquskc subscribe for more videos like this youtube com channel uchmr

little people big dreams - Apr 30 2023

web in this ebook from the critically acclaimed multimillion copy best selling little people big dreams series discover the life of martin luther king jr the inspiring minister and

little people big dreams martin luther king jr readers - May 20 2022

web feb 1 2021 this book is a great way to begin teaching the kids in your life about martin luther king jr and the civil rights movement i love how this series little p

martin luther king jr volume 33 little people big - Aug 03 2023

web martin luther king jr 33 little people big dreams hardcover 4 feb 2020 in this book from the critically acclaimed multimillion copy bestselling little people big dreams series

little people big dreams storytime martin luther king jr - Sep 23 2022

web aug 19 2022 discover the life of martin luther king jr the inspiring minister and civil rights activist part of the little people big dreams series thank you so much f

[martin luther king jr little people big dreams by maria](#) - Jan 28 2023

web little people big dreams martin luther king jr little people big dreams martin luther king jr is an inspiring illustrated children s book that tells martin luther king s

martin luther king jr volume 33 little people big - Nov 13 2021

pdf martin luther king jr little people big dreams 33 - Dec 15 2021

[little people big dreams wikipedia](#) - Jul 02 2023

web martin luther king jr little people big dreams written by maria isabel sánchez vegara illustrated by mai ly degnan 15 99 us 18 99 can isbn 9780711245679

little people big dreams martin luther king jr youtube - Jan 16 2022

little people big dreams be bold be brave dream big - Mar 18 2022

web jun 19 2020 get a book pdf martin luther king jr little people big dreams 33 free download pdf martin luther king jr little people big dreams 33

martin luther king jr little people big dreams book - Feb 26 2023

web jan 6 2021 martin luther king jr little people big dreams i read aloud i learning tree t v 9 32k subscribers subscribe 105 share 13k views 2 years ago if you

[martin luther king jr little people big dreams narrated](#) - Jun 20 2022

web welcome to the home of little people big dreams the best selling biography series for kids by maria isabel sánchez vegara discover the lives of outstanding people from

[copy schems edu](#) - Feb 12 2022

web upload donald c grant 1 3 downloaded from schems edu np on february 18 2023 by donald c grant eventually you will very discover a further experience and deed by

[brightonbeachmemoirspleasantonunifiedschooldistrict lxp](#) - Mar 16 2022

web brightonbeachmemoirspleasantonunifiedschooldistrict 1 brightonbeachmemoirspleasantonunifiedschooldistrict

[brightonbeachmemoirspleasantonunifiedschooldistrict 2022](#) - May 30 2023

web brightonbeachmemoirspleasantonunifiedschooldistrict 1 brightonbeachmemoirspleasantonunifiedschooldistrict

brighton beach memoirs pleasanton unified school district copy - Jan 14 2022

web it is your very own time to law reviewing habit along with guides you could enjoy now is brighton beach memoirs pleasanton unified school district below the dictionary

brightonbeachmemoirspleasantonunifiedschooldistrict pdf - May 18 2022

web brightonbeachmemoirspleasantonunifiedschooldistrict 1 brightonbeachmemoirspleasantonunifiedschooldistrict

[brightonbeachmemoirspleasantonunifiedschooldistrict 2022](#) - Jun 30 2023

web brightonbeachmemoirspleasantonunifiedschooldistrict 1 brightonbeachmemoirspleasantonunifiedschooldistrict title

brightonbeachmemoirspleasantonunifiedschooldistrict - Nov 23 2022

web brightonbeachmemoirspleasantonunifiedschooldistrict 1 brightonbeachmemoirspleasantonunifiedschooldistrict

brighton beach senior primary school memories facebook - Oct 03 2023

web brighton beach senior primary school memories 1 698 likes 9 talking about this please note that this page is no longer affiliated with the school

brightonbeachmemoirspleasantonunifiedschoolsdistrict - Apr 16 2022

web brightonbeachmemoirspleasantonunifiedschoolsdistrict 1 brightonbeachmemoirspleasantonunifiedschoolsdistrict

brighton beach memoirs full book summary sparknotes - Apr 28 2023

web study guide themes symbols quotes by theme summary full book summary one evening in 1937 fourteen year old eugene morton fantasizes about being a baseball

brightonbeachmemoirspleasantonunifiedschoolsdistrict pdf - Jul 20 2022

web brightonbeachmemoirspleasantonunifiedschoolsdistrict 1 brightonbeachmemoirspleasantonu nifiedschoolsdistrict

[brighton beach memoirs encyclopedia com](#) - Dec 25 2022

web views 2 496 787 updated brighton beach memoirs neil simon 1983 author biography plot summary characters themes style historical

[brightonbeachmemoirspleasantonunified schoolsdistrict](#) - Sep 21 2022

web brightonbeachmemoirspleasantonunifiedschoolsdistrict 1 brightonbeachmemoirspleasantonunified schoolsdistrict

brighton beach memoirs pleasanton unified school district pdf - Aug 21 2022

web brighton beach memoirs pleasanton unified school district pdf upload herison y boyle 1 2 downloaded from live habitat com on introduction page 5 about this book

brighton beach memoirs pdf pdf scribd - Sep 02 2023

web brighton beach memoirs neil simon a plume book plume published by penguin group penguin group usa ine 375 hudson street new york new york

[brighton beach memoirs wikipedia](#) - Aug 01 2023

brighton beach memoirs is a semi autobiographical play by neil simon the first chapter in what is known as his eugene trilogy it precedes biloxi blues and broadway bound

brighton beach memoirs youtube - Oct 23 2022

web ocean township high school presents brighton beach memoirsdecember 2015

brighton beach memoirs full book analysis sparknotes - Feb 24 2023

web full book analysis brighton beach memoirs tells the story of a chaotic week in a household made up of two families when a series of events causes the members to

photos pmhs sock n buskin delights with brighton beach - Jan 26 2023

web nov 29 2018 congratulations to the pmhs sock n buskin theater group s hilarious rendition of neil simon s brighton beach memoirs the show was directed by tom

[brightonbeachmemoirspleasantonunifiedschoolistrict](#) - Mar 28 2023

web 1 brightonbeachmemoirspleasantonunifiedschoolistrict if you ally dependence such a referred brightonbeachmemoirspleasantonunifiedschoolistrict ebook that will give you

[brightonbeachmemoirspleasantonunifiedschoolistrict](#) - Jun 18 2022

web brightonbeachmemoirspleasantonunifiedschoolistrict 1 brightonbeachmemoirspleasantonunified schoolistrict eventually you will definitely discover a

development of a brief version of the social phobia inventory - Nov 24 2022

web dec 1 2013 social phobia inventory spin connor et al 2000 the spin is a widely used 17 item self report measure assessing fear avoidance and physiological symptoms in the context of sad for each item participants are asked to rate the degree to which the symptom bothered them during the past week

social phobia inventory apa psycnet - Sep 03 2023

web the social phobia inventory spin connor et al 2000 is a self report inventory designed to assess fear avoidance and physiological symptoms of anxiety associated with social anxiety responses are based on a 5 point i e 0 4 likert type scale

social phobia inventory test overview use results verywell - Aug 22 2022

web sep 9 2022 the social phobia inventory scale or spin is a way of measuring a person s level of social phobia or social anxiety it contains 17 expert questions that are said to assist in the diagnosis of social anxiety disorder versions of anxiety or fear assessments have been around for decades

social phobia inventory spin psychtools - Apr 17 2022

web aug 12 2017 the social phobia inventory abbreviated as spin is a 17 item questionnaire for screening and measuring severity of social anxiety disorder social phobia sp it was developed in 2000 by connor et al at the psychiatry and behavioral sciences department duke university usa

psychometric properties of the social phobia inventory spin - Jan 27 2023

web the social phobia inventory spin provides a patient rated assessment of the three clinically important symptom domains of social phobia with the practical advantages of brevity simplicity and ease of scoring

screening social phobia in adolescents from general population - May 19 2022

web apr 16 2020 in this sample 27 of participants scored above the previously suggested spin cut off 15 points for adolescent sp we suggest using a somewhat higher cut off score 24 points when using the spin as a screen for

overview social phobia inventory spin and mini spin - Apr 29 2023

web the social phobia inventory spin was developed to measure the severity of social phobia sp which later became more often referred to as social anxiety disorder sad

social phobia inventory spin apta - Sep 22 2022

web summary what it measures screening tool for social phobia sp assesses a range of social fears avoidance behaviors and symptoms of physiological distress 1 target population validated for people 13 years old and up 2

social phobia inventory spin steven m steinke l i c s w - Aug 02 2023

web 11 i avoid having to give speeches page 1 of 2 serenity programmetm serene me uk social phobia inventory spin 12 i would do anything to avoid being criticized 13 heart palpitations bother me when i am around people 14 i am afraid of doing things when people might be watching

social anxiety spin greenspace us - May 31 2023

web nov 16 2020 the social phobia inventory spin is a 17 item self rating for social anxiety disorder or social phobia the scale is rated over the past week and includes items assessing each of the symptom domains of social anxiety disorder fear avoidance and physiologic arousal

mini social phobia inventory mini spin psychometric properties - Feb 13 2022

web nov 25 2017 however the german version of the short form of the social phobia inventory mini spin has not been evaluated yet therefore our aim was to determine reliability validity and population based norms of the german mini spin

psychometric properties of the social phobia inventory spin new - Jul 21 2022

web abstract sought to establish psychometric validation of the social phobia inventory spin including test retest reliability internal consistency convergent validity divergent validity construct validity predictive validity distribution

latent dimensions of social anxiety disorder a re evaluation of - Feb 25 2023

web the social phobia inventory spin connor et al 2000 is a well validated instrument for assessing severity of social anxiety disorder sad however evaluations of its factor structure have produced inconsistent results and this

social phobia inventory spin psychology tools - Jul 01 2023

web the social phobia inventory abbreviated as spin is a 17 item questionnaire developed by the psychiatry and behavioral sciences department at duke university it is effective in screening for and measuring the severity of social anxiety disorder

social phobia inventory spin wordsworth health centre - Oct 04 2023

web total score the spin is a 17 item self rating scale for social anxiety disorder social phobia the scale is rated over the past week and includes items assessing each of the symptom domains of social anxiety disorder fear avoidance and physiologic arousal

social phobia inventory spin psychological scales - Mar 17 2022

web the social phobia inventory abbreviated as spin is a 17 item questionnaire for screening and measuring severity of social anxiety disorder social phobia sp it was developed in 2000 by connor et al at the psychiatry and behavioral sciences department duke university usa

psychometric properties of the social phobia inventory further - Jun 19 2022

web aug 1 2006 finally the spin was sensitive to changes in social phobia severity following cognitive behavioral group treatment in conclusion the spin is both reliable and valid for the measurement of social phobia severity and outcome following psychological treatment

psychometric properties of the social phobia inventory further - Oct 24 2022

web aug 1 2006 finally the spin was sensitive to changes in social phobia severity following cognitive behavioral group treatment in conclusion the spin is both reliable and valid for the measurement of social phobia severity and outcome following psychological treatment

social phobia inventory wikipedia - Mar 29 2023

web social phobia inventory spin is a questionnaire developed by the department of psychiatry and behavioral sciences of duke university for screening and measuring severity of social anxiety disorder this self reported assessment scale consists of 17 items which cover the main spectrum of social phobia such as fear avoidance and

development of a brief version of the social phobia inventory - Dec 26 2022

web the social phobia inventory spin is a widely used measure in mental health settings and a 3 item version mini spin has been developed as a screening instrument for social anxiety disorder in the present study we examined the psychometric properties of the spin and developed a brief version mini spin r designed to assess social anxiety severity

Embark on a breathtaking journey through nature and adventure with Crafted by is mesmerizing ebook, Witness the Wonders in **Exmark Electrical Troubleshooting Guide** . This immersive experience, available for download in a PDF format (*), transports you to the heart of natural marvels and thrilling escapades. Download now and let the adventure begin!

https://offsite.creighton.edu/files/virtual-library/Documents/mh370_landed_in_diego_garcia.pdf

https://offsite.creighton.edu/files/virtual-library/Documents/meiosis_worksheet_vocabulary.pdf

https://offsite.creighton.edu/files/virtual-library/Documents/minneapolis_forestry_department.pdf

Table of Contents Exmark Electrical Troubleshooting Guide

1. Understanding the eBook Exmark Electrical Troubleshooting Guide
 - The Rise of Digital Reading Exmark Electrical Troubleshooting Guide
 - Advantages of eBooks Over Traditional Books
2. Identifying Exmark Electrical Troubleshooting Guide
 - Exploring Different Genres
 - Considering Fiction vs. Non-Fiction
 - Determining Your Reading Goals
3. Choosing the Right eBook Platform
 - Popular eBook Platforms
 - Features to Look for in an Exmark Electrical Troubleshooting Guide
 - User-Friendly Interface
4. Exploring eBook Recommendations from Exmark Electrical Troubleshooting Guide
 - Personalized Recommendations

- Exmark Electrical Troubleshooting Guide User Reviews and Ratings
- Exmark Electrical Troubleshooting Guide and Bestseller Lists
- 5. Accessing Exmark Electrical Troubleshooting Guide Free and Paid eBooks
 - Exmark Electrical Troubleshooting Guide Public Domain eBooks
 - Exmark Electrical Troubleshooting Guide eBook Subscription Services
 - Exmark Electrical Troubleshooting Guide Budget-Friendly Options
- 6. Navigating Exmark Electrical Troubleshooting Guide eBook Formats
 - ePub, PDF, MOBI, and More
 - Exmark Electrical Troubleshooting Guide Compatibility with Devices
 - Exmark Electrical Troubleshooting Guide Enhanced eBook Features
- 7. Enhancing Your Reading Experience
 - Adjustable Fonts and Text Sizes of Exmark Electrical Troubleshooting Guide
 - Highlighting and Note-Taking Exmark Electrical Troubleshooting Guide
 - Interactive Elements Exmark Electrical Troubleshooting Guide
- 8. Staying Engaged with Exmark Electrical Troubleshooting Guide
 - Joining Online Reading Communities
 - Participating in Virtual Book Clubs
 - Following Authors and Publishers Exmark Electrical Troubleshooting Guide
- 9. Balancing eBooks and Physical Books Exmark Electrical Troubleshooting Guide
 - Benefits of a Digital Library
 - Creating a Diverse Reading Collection Exmark Electrical Troubleshooting Guide
- 10. Overcoming Reading Challenges
 - Dealing with Digital Eye Strain
 - Minimizing Distractions
 - Managing Screen Time
- 11. Cultivating a Reading Routine Exmark Electrical Troubleshooting Guide
 - Setting Reading Goals Exmark Electrical Troubleshooting Guide
 - Carving Out Dedicated Reading Time
- 12. Sourcing Reliable Information of Exmark Electrical Troubleshooting Guide
 - Fact-Checking eBook Content of Exmark Electrical Troubleshooting Guide

- Distinguishing Credible Sources
- 13. Promoting Lifelong Learning
 - Utilizing eBooks for Skill Development
 - Exploring Educational eBooks
- 14. Embracing eBook Trends
 - Integration of Multimedia Elements
 - Interactive and Gamified eBooks

Exmark Electrical Troubleshooting Guide Introduction

In today's digital age, the availability of Exmark Electrical Troubleshooting Guide books and manuals for download has revolutionized the way we access information. Gone are the days of physically flipping through pages and carrying heavy textbooks or manuals. With just a few clicks, we can now access a wealth of knowledge from the comfort of our own homes or on the go. This article will explore the advantages of Exmark Electrical Troubleshooting Guide books and manuals for download, along with some popular platforms that offer these resources. One of the significant advantages of Exmark Electrical Troubleshooting Guide books and manuals for download is the cost-saving aspect. Traditional books and manuals can be costly, especially if you need to purchase several of them for educational or professional purposes. By accessing Exmark Electrical Troubleshooting Guide versions, you eliminate the need to spend money on physical copies. This not only saves you money but also reduces the environmental impact associated with book production and transportation.

Furthermore, Exmark Electrical Troubleshooting Guide books and manuals for download are incredibly convenient. With just a computer or smartphone and an internet connection, you can access a vast library of resources on any subject imaginable. Whether you're a student looking for textbooks, a professional seeking industry-specific manuals, or someone interested in self-improvement, these digital resources provide an efficient and accessible means of acquiring knowledge. Moreover, PDF books and manuals offer a range of benefits compared to other digital formats. PDF files are designed to retain their formatting regardless of the device used to open them. This ensures that the content appears exactly as intended by the author, with no loss of formatting or missing graphics. Additionally, PDF files can be easily annotated, bookmarked, and searched for specific terms, making them highly practical for studying or referencing. When it comes to accessing Exmark Electrical Troubleshooting Guide books and manuals, several platforms offer an extensive collection of resources. One such platform is Project Gutenberg, a nonprofit organization that provides over 60,000 free eBooks. These books are primarily in the public domain, meaning they can be freely distributed and downloaded. Project Gutenberg offers a wide range of classic literature, making it an excellent resource for literature enthusiasts. Another popular platform for Exmark Electrical

Troubleshooting Guide books and manuals is Open Library. Open Library is an initiative of the Internet Archive, a non-profit organization dedicated to digitizing cultural artifacts and making them accessible to the public. Open Library hosts millions of books, including both public domain works and contemporary titles. It also allows users to borrow digital copies of certain books for a limited period, similar to a library lending system. Additionally, many universities and educational institutions have their own digital libraries that provide free access to PDF books and manuals. These libraries often offer academic texts, research papers, and technical manuals, making them invaluable resources for students and researchers. Some notable examples include MIT OpenCourseWare, which offers free access to course materials from the Massachusetts Institute of Technology, and the Digital Public Library of America, which provides a vast collection of digitized books and historical documents. In conclusion, Exmark Electrical Troubleshooting Guide books and manuals for download have transformed the way we access information. They provide a cost-effective and convenient means of acquiring knowledge, offering the ability to access a vast library of resources at our fingertips. With platforms like Project Gutenberg, Open Library, and various digital libraries offered by educational institutions, we have access to an ever-expanding collection of books and manuals. Whether for educational, professional, or personal purposes, these digital resources serve as valuable tools for continuous learning and self-improvement. So why not take advantage of the vast world of Exmark Electrical Troubleshooting Guide books and manuals for download and embark on your journey of knowledge?

FAQs About Exmark Electrical Troubleshooting Guide Books

1. Where can I buy Exmark Electrical Troubleshooting Guide books? Bookstores: Physical bookstores like Barnes & Noble, Waterstones, and independent local stores. Online Retailers: Amazon, Book Depository, and various online bookstores offer a wide range of books in physical and digital formats.
2. What are the different book formats available? Hardcover: Sturdy and durable, usually more expensive. Paperback: Cheaper, lighter, and more portable than hardcovers. E-books: Digital books available for e-readers like Kindle or software like Apple Books, Kindle, and Google Play Books.
3. How do I choose a Exmark Electrical Troubleshooting Guide book to read? Genres: Consider the genre you enjoy (fiction, non-fiction, mystery, sci-fi, etc.). Recommendations: Ask friends, join book clubs, or explore online reviews and recommendations. Author: If you like a particular author, you might enjoy more of their work.
4. How do I take care of Exmark Electrical Troubleshooting Guide books? Storage: Keep them away from direct sunlight and in a dry environment. Handling: Avoid folding pages, use bookmarks, and handle them with clean hands. Cleaning:

- Gently dust the covers and pages occasionally.
5. Can I borrow books without buying them? **Public Libraries:** Local libraries offer a wide range of books for borrowing. **Book Swaps:** Community book exchanges or online platforms where people exchange books.
 6. How can I track my reading progress or manage my book collection? **Book Tracking Apps:** Goodreads, LibraryThing, and Book Catalogue are popular apps for tracking your reading progress and managing book collections. **Spreadsheets:** You can create your own spreadsheet to track books read, ratings, and other details.
 7. What are Exmark Electrical Troubleshooting Guide audiobooks, and where can I find them? **Audiobooks:** Audio recordings of books, perfect for listening while commuting or multitasking. **Platforms:** Audible, LibriVox, and Google Play Books offer a wide selection of audiobooks.
 8. How do I support authors or the book industry? **Buy Books:** Purchase books from authors or independent bookstores. **Reviews:** Leave reviews on platforms like Goodreads or Amazon. **Promotion:** Share your favorite books on social media or recommend them to friends.
 9. Are there book clubs or reading communities I can join? **Local Clubs:** Check for local book clubs in libraries or community centers. **Online Communities:** Platforms like Goodreads have virtual book clubs and discussion groups.
 10. Can I read Exmark Electrical Troubleshooting Guide books for free? **Public Domain Books:** Many classic books are available for free as they're in the public domain. **Free E-books:** Some websites offer free e-books legally, like Project Gutenberg or Open Library.

Find Exmark Electrical Troubleshooting Guide :

[mh370 landed in diego garcia](#)

[**meiosis worksheet vocabulary**](#)

[minneapolis forestry department](#)

microsoft access uses query design view as a qbe.

[**missouri probation office**](#)

[~~merry christmas puppy~~](#)

[metal lathe projects](#)

[**metro north mall abandoned**](#)

[**mindfulness and anger**](#)

[**michael stirling bridgerton**](#)

mn landlord tenant law handbook

michigan placement test

miep gies facts

minecraft stem lab

michael w smith draw me close

Exmark Electrical Troubleshooting Guide :