

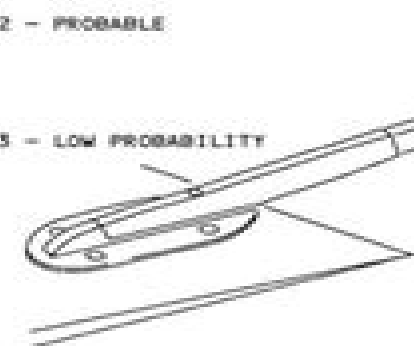
ZONE 1 - HIGH PROBABILITY



ZONE 2 - PROBABLE

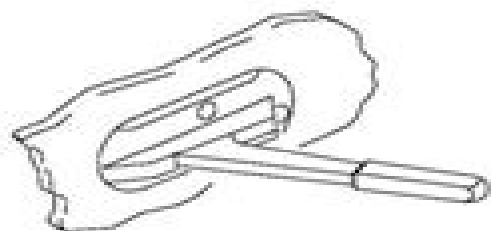


ZONE 3 - LOW PROBABILITY



TRAILING EDGE SURFACE
INSTALLATION (EXAMPLE)

(A)



STABILIZER AND FIN
CAP INSTALLATION (EXAMPLE)

(B)

External Lighting Strike Areas

Boeing 737 Aircraft Maintenance Manual

Yan Bai



Boeing 737 Aircraft Maintenance Manual

Boeing 737, 1969 *Aviation Maintenance Technician Handbook-Airframe* Federal Aviation Administration (FAA)/Aviation Supplies & Academics (ASA), 2012 Annotation This series is specifically tailored to provide the information necessary to prepare an applicant for FAA mechanic certification with airframe and or powerplant A P ratings These textbooks are designed for use by instructors and applicants preparing for the FAA Airframe Knowledge and Practical Exams but also serve as an invaluable reference guide for certificated technicians who wish to improve their knowledge and practice Chapter structure has been designed to ensure consistent and efficient internalisation of the material presented Photographs and detailed drawings illustrate concepts improve understanding and increase retention This volume of the series emphasises theory and methods of practical application within the overall topic of the airframe of an aircraft how it is built maintained and repaired It covers subjects such as airframe construction features assembly and rigging fabric covering structural repairs and aircraft welding The specific topics addressed include Aircraft Instrument Systems Communication and Navigation Hydraulic and Pneumatic Power Systems Aircraft Landing Gear Systems Aircraft Fuel System Ice and Rain Protection Cabin Environmental Control Systems and Fire Protection Systems

The Boeing 737 Technical Guide Chris Brady, 2021-11-14 This is an illustrated technical guide to the Boeing 737 aircraft Containing extensive explanatory notes facts tips and points of interest on all aspects of this hugely successful airliner and showing its technical evolution from its early design in the 1960s through to the latest advances in the MAX The book provides detailed descriptions of systems internal and external components their locations and functions together with pilots notes and technical specifications It is illustrated with over 500 photographs diagrams and schematics Chris Brady has written this book after many years developing the highly successful and informative Boeing 737 Technical Site known throughout the world by pilots trainers and engineers as the most authoritative open source of information freely available about the 737

[Materials, Structures and Manufacturing for Aircraft](#) Melih Cemal Kuşhan, Selim Gürgen, Mehmet Alper Sofuoğlu, 2022-04-25 This book offers a comprehensive look at materials science topics in aerospace air vehicle structures and manufacturing methods for aerospace products examining recent trends and new technological developments Coverage includes additive manufacturing advanced material removal operations novel wing systems design of landing gear eco friendly aero engines and light alloys advanced polymers composite materials and smart materials for structural components Case studies and coverage of practical applications demonstrate how these technologies are being successfully deployed Materials Structures Manufacturing for Aircraft will appeal to a broad readership in the aviation community including students engineers scientists and researchers as a reference source for material science and modern production techniques

Aircraft Maintenance Programs David Lapesa Barrera, 2022-02-16 This book provides the first comprehensive comparison of the Aircraft Maintenance Program

AMP requirements of the two most widely known aviation regulators the European Aviation Safety Agency EASA and the Federal Aviation Administration FAA It offers an in depth examination of the elements of an AMP explaining the aircraft accident investigations and events that have originated and modelled the current rules By introducing the Triangle of Airworthiness model Reliability Quality and Safety the book enables easier understanding of the processes by which an aircraft and its components are deemed to be in a safe condition for operation from a cost effective and optimization perspective The book compares the best practices used by top airlines and compiles a series of tools and techniques to improve the standards of the AMP Aircraft maintenance engineers students in the field of aerospace engineering and airlines staff as well as researchers more widely interested in safety quality and reliability will benefit from reading this book

Reliability Based Aircraft Maintenance Optimization and Applications He Ren, Xi Chen, Yong Chen, 2017-03-19 Reliability Based Aircraft Maintenance Optimization and Applications presents flexible and cost effective maintenance schedules for aircraft structures particular in composite airframes By applying an intelligent rating system and the back propagation network BPN method and FTA technique a new approach was created to assist users in determining inspection intervals for new aircraft structures especially in composite structures This book also discusses the influence of Structure Health Monitoring SHM on scheduled maintenance An integrated logic diagram establishes how to incorporate SHM into the current MSG 3 structural analysis that is based on four maintenance scenarios with gradual increasing maturity levels of SHM The inspection intervals and the repair thresholds are adjusted according to different combinations of SHM tasks and scheduled maintenance This book provides a practical means for aircraft manufacturers and operators to consider the feasibility of SHM by examining labor work reduction structural reliability variation and maintenance cost savings Presents the first resource available on airframe maintenance optimization Includes the most advanced methods and technologies of maintenance engineering analysis including first application of composite structure maintenance engineering analysis integrated with SHM Provides the latest research results of composite structure maintenance and health monitoring systems

New Materials for Next-Generation Commercial Transports Committee on New Materials for Advanced Civil Aircraft, Commission on Engineering and Technical Systems, National Materials Advisory Board, Division on Engineering and Physical Sciences, National Research Council, 1996-03-29 The major objective of this book was to identify issues related to the introduction of new materials and the effects that advanced materials will have on the durability and technical risk of future civil aircraft throughout their service life The committee investigated the new materials and structural concepts that are likely to be incorporated into next generation commercial aircraft and the factors influencing application decisions Based on these predictions the committee attempted to identify the design characterization monitoring and maintenance issues that are critical for the introduction of advanced materials and structural concepts into future aircraft **The Discipline of Organizing: Professional Edition** Robert J. Glushko, 2014-08-25 Note about this ebook This ebook exploits many advanced

capabilities with images hypertext and interactivity and is optimized for EPUB3 compliant book readers especially Apple's iBooks and browser plugins These features may not work on all ebook readers We organize things We organize information information about things and information about information Organizing is a fundamental issue in many professional fields but these fields have only limited agreement in how they approach problems of organizing and in what they seek as their solutions The Discipline of Organizing synthesizes insights from library science information science computer science cognitive science systems analysis business and other disciplines to create an Organizing System for understanding organizing This framework is robust and forward looking enabling effective sharing of insights and design patterns between disciplines that weren't possible before The Professional Edition includes new and revised content about the active resources of the Internet of Things and how the field of Information Architecture can be viewed as a subset of the discipline of organizing You'll find 600 tagged endnotes that connect to one or more of the contributing disciplines Nearly 60 new pictures and illustrations Links to cross references and external citations Interactive study guides to test on key points The Professional Edition is ideal for practitioners and as a primary or supplemental text for graduate courses on information organization content and knowledge management and digital collections

FOR INSTRUCTORS Supplemental materials lecture notes assignments exams etc are available at <http://disciplineoforganizing.org>

FOR STUDENTS Make sure this is the edition you want to buy There's a newer one and maybe your instructor has adopted that one instead

Aviation Maintenance Management Frank H. King, 1986 This is a practical approach to and comprehensive examination of the problems that face the aviation supervisor The first chapter discusses the impact of population and geographic changes on the regulation of the airline industry Chapter 2 deals with The Federal Aviation Administration Chapter 3 with Regulatory Requirements and Chapter 4 with Organizational Structures Chapter 5 Management Responsibilities explores such practical aspects as directing programs leadership providing motivation and incentives and communication Chapter 6 Aviation Maintenance Procedures Chapter 7 Applications of Aviation Maintenance Concepts and Chapter 8 Budgeting Cost Controls and Cost Reduction also explore the daily problems of aviation supervision in practical terms Chapter 9 Training and Professional Development in Aviation Maintenance contains a discussion of certified aviation maintenance technical schools Chapter 10 is an in-depth assessment of Safety and Maintenance Discussed here are safety in the maintenance hangar and on the ramp fueling aircraft electrical safety radiation concerns and building requirements Chapter 11 Electronic Data Processing covers the computer and applications of received data Chapter 12 Aviation Maintenance Management Problem Areas deals with matters ranging from parts ordering to administrative concerns The final chapter is a Forecast and Summary

Monthly Catalogue, United States Public Documents, 1985-07 *The Federal Aviation Administration's Oversight of Outsourced Air Carrier Maintenance* United States. Congress. House. Committee on Transportation and Infrastructure. Subcommittee on Aviation, 2007 *Airworthiness Inspector's Handbook* United States. Federal Aviation Administration, 1985 [Code of](#)

Federal Regulations ,2001 Special edition of the Federal Register containing a codification of documents of general applicability and future effect with ancillaries

Beyond the Black Box George Bibel,2008-01-31 The black box is orange and there are actually two of them They house the cockpit voice recorder and the flight data recorder instruments vital to airplane crash analyses But accident investigators cannot rely on the black boxes alone Beginning with the 1931 Fokker F 10A crash that killed legendary football coach Knute Rockne this fascinating book provides a behind the scenes look at plane wreck investigations Professor George Bibel shows how forensic experts scientists and engineers analyze factors like impact debris loading fire patterns metallurgy fracture crash testing and human tolerances to determine why planes fall from the sky and how the information gleaned from accident reconstruction is incorporated into aircraft design and operation to keep commercial aviation as safe as possible

Competency-Based Education in Aviation Suzanne K. Kearns,Timothy J. Mavin,Steven Hodge,2017-05-15 Whether a trainee is studying air traffic control piloting maintenance engineering or cabin crew they must complete a set number of training hours before being licensed or certified The aviation industry is moving away from an hours based to a competency based training system Within this approach training is complete when a learner can demonstrate competent performance Training based on competency is an increasingly popular approach in aviation It allows for an alternate means of compliance with international regulations which can result in shorter and more efficient training programs However there are also challenges with a competency based approach The definition of competency based education can be confusing training can be reductionist and artificially simplistic professional interpretation of written competencies can vary between individuals and this approach can have a high administrative and regulatory burden

Competency Based Education in Aviation Exploring Alternate Training Pathways explores this approach to training in great detail considering the four aviation professional groups of air traffic control pilots maintenance engineers and cabin crew Aviation training experts were interviewed and have contributed professional insights along with personal stories and anecdotes associated with competency based approaches in their fields Research based and practical strategies for the effective creation delivery and assessment of competency based education are described in detail

Federal Aviation Regulations and Airmen's Information Manual 2001 Irvin N. Gleim,2000-09

Systems of Commercial Turbofan Engines Andreas Linke-Diesinger,2008-05-21 To understand the operation of aircraft gas turbine engines it is not enough to know the basic operation of a gas turbine It is also necessary to understand the operation and the design of its auxiliary systems This book fills that need by providing an introduction to the operating principles underlying systems of modern commercial turbofan engines and bringing readers up to date with the latest technology It also offers a basic overview of the tubes lines and system components installed on a complex turbofan engine Readers can follow detailed examples that describe engines from different manufacturers The text is recommended for aircraft engineers and mechanics aeronautical engineering students and pilots

Federal Aviation Regulations/Aeronautical Information Manual 2013 Federal Aviation

Administration,2012-11 All the information you need to operate safely in U S [Federal Register](#) ,2013-05 [Proceedings of the 6th China Aeronautical Science and Technology Conference](#) Chinese Aeronautical Society,2024-01-06 This book contains the original peer reviewed research papers presented at the 6th China Aeronautical Science and Technology Conference held in Wuzhen Zhejiang Province China in September 2023 Topics covered include but are not limited to Navigation Guidance and Control Technology Aircraft Design and Overall Optimisation of Key Technologies Aviation Testing Technology Airborne Systems Electromechanical Technology Structural Design Aerodynamics and Flight Mechanics Advanced Aviation Materials and Manufacturing Technology Advanced Aviation Propulsion Technology and Civil Aviation Transportation The papers presented here share the latest findings in aviation science and technology making the book a valuable resource for researchers engineers and students in related fields

catching the big fish album by the jackson spotify - Apr 30 2022

web listen to catching the big fish on spotify the jackson album 2021 9 songs

catching the big fish meditation consciousness and creativity 10th - Jul 02 2022

web catching the big fish meditation consciousness and creativity 10th anniversary edition lynch david isbn 9780143130147

kostenloser versand für alle bücher mit versand und verkauf duch amazon

catching the big fish meditation consciousness and creativity 10th - Jan 28 2022

web dec 27 2007 catching the big fish meditation consciousness and creativity 10th anniversary edition kindle edition by lynch david download it once and read it on your kindle device pc phones or tablets use features like bookmarks note taking and highlighting while reading catching the big fish meditation consciousness and

[catching the big fish google books](#) - Apr 11 2023

web sep 6 2016 for the 10th anniversary of david lynch s bestselling reflection on meditation and creativity this new edition features interviews with paul mccartney and ringo starr when it first appeared

catching the big fish meditation consciousness and creativity 10th - May 12 2023

web sep 6 2016 product details asin b0chzyzx36 publisher generic 10th anniversary edition september 6 2016 spiral bound 208 pages

catching the big fish meditation consciousness and creativity 10th - Nov 06 2022

web for the 10th anniversary of david lynch s bestselling reflection on meditation and creat catching the big fish meditation consciousness and creativity 10th anniversary edition by david lynch goodreads

catching the big fish meditation consciousness and creativity 10th - Jul 14 2023

web for the 10th anniversary of david lynch s bestselling reflection on meditation and creativity this new edition features

interviews with paul mccartney and ringo starr when it first appeared in 2006 david lynch s catching the big fish was celebrated for being as close as lynch will ever come to an interior shot of his famously weird mind

big monster fish catch 10kg big giant catfish catch youtube - Mar 30 2022

web dec 3 2020 big giant catfish catchmonster fish catch with hook amazing big catfish catchincredible fishing biggiantfish monsterfishcatch giantcatfishplease watch and sh

catching the big fish meditation consciousness and creativity 10th - Jun 13 2023

web sep 6 2016 for the 10th anniversary of david lynch s bestselling reflection on meditation and creativity this new edition features interviews with paul mccartney and ringo starr when it first appeared in 2006 david lynch s catching the big fish was celebrated for being as close as lynch will ever come to an interior shot of his famously weird mind

amazon com customer reviews catching the big fish - Aug 03 2022

web find helpful customer reviews and review ratings for catching the big fish meditation consciousness and creativity 10th anniversary edition at amazon com read honest and unbiased product reviews from our users

[catching the big fish meditation consciousness and creativity 10th](#) - Feb 09 2023

web for the 10th anniversary of david lynch s bestselling reflection on meditation and creativity this new edition features interviews with paul mccartney and ringo starr

catching the big fish david lynch free download borrow - Jun 01 2022

web dec 28 2006 subject inspiring nice book that engenders a feeling of optimism nothing too technical an emphasis on the benefit of transcendental meditation tm as a means via which one may connect with a bigger picture via which to create bigger pictures

catching the big fish meditation consciousness and creativity 10th - Oct 05 2022

web catching the big fish meditation consciousness and creativity 10th anniversary edition lynch david amazon com mx libros

catching the big fish meditation consciousness and creativity 10th - Dec 27 2021

web for the 10th anniversary of david lynch s bestselling reflection on meditation and creativity this new edition features interviews with paul mccartney and ringo starr when it first appeared in 2006 david lynch s catching the big fish was celebrated for being as close as lynch will ever come to an interior shot of his famously weird mind

[catching the big fish meditation cons meditation](#) - Jan 08 2023

web purchase options and add ons for the 10th anniversary of david lynch s bestselling reflection on meditation and creativity this new edition features interviews with paul mccartney and ringo starr

[catching the big fish meditation consciousness and creativity](#) - Sep 04 2022

web feb 21 2021 david lynch s catching the big fish provides a rare window into the internationally acclaimed filmmaker s

methods as an artist his personal working style and the immense creative benefits he has experienced from the practice of meditation

catching the big fish meditation consciousness and creativity 10th - Aug 15 2023

web sep 6 2016 *catching the big fish meditation consciousness and creativity 10th anniversary edition paperback september 6 2016* by david lynch author 4 4 4 out of 5 stars 1 573 ratings

catching the big fish meditation consciousness and creativity 10th - Mar 10 2023

web catching the big fish meditation consciousness and creativity 10th anniversary edition lynch david amazon com tr kitap

catching the big fish meditation consciousness and creativity 10th - Dec 07 2022

web dec 27 2007 *catching the big fish meditation consciousness and creativity 10th anniversary edition david lynch penguin*

dec 27 2007 self help 208 pages 7 reviews reviews aren t verified

the big catch tv series 2015 imdb - Feb 26 2022

web documentary action adventure eight highly skilled anglers battle mother nature while completing specific fishing tasks across the world with weekly eliminations weighing heavy a missed fish could prove disastrous using a fly rod to line in hand from deep sea to category 5 rapids from the bank to a nativ read all

valentin recoit ses amis download only hostingaffiliate com - Jan 08 2023

web mar 18 2023 *valentin recoit ses amis as capably as evaluation them wherever you are now oeuvres complètes de w shakespeare traducteur françois victor hugo william*

valentin recoit ses amis by paloma ulises wensell - Apr 11 2023

web november 21st 2019 *valentin recoit ses amis albums paloma wensell ulises wensell isbn 9783473821600 kostenloser versand für alle bücher mit versand und*

afet garantılı random hesap aldim set Çikti - Feb 26 2022

web oct 2 2021 *en ucuz ve güvenilir valorant points için tıklayın oynasana com ref berkyuncu utm source affgüvenilir random hesap için*

valentin recoit ses amis by paloma ulises wensell - Oct 05 2022

web august 7th 2019 scopri *valentin recoit ses amis di paloma wensell ulises wensell spedizione gratuita per i clienti prime e per ordini a partire da 29 spediti da*

valentin recoit ses amis by paloma ulises wensell - Nov 25 2021

web jun 8 2023 *valentin recoit ses amis by paloma ulises wensell if you want to funny literature lots of stories narrative gags and more fictions collections are also started*

valentin recoit ses amis by paloma ulises wensell test - Dec 07 2022

web valentin recoit ses amis albums es paloma wensell ulises wensell libros en idiomas extranjeros saltar al contenido principal prueba prime hola identificate cuenta y

valentin recoit ses amis tec acaya ai - Jun 13 2023

web merely said the valentin recoit ses amis is universally compatible with any devices to read les sept péchés capitaux eugène sue 1854 les sept péchés capitaux joseph

valentin recoit ses amis by paloma ulises wensell store sbtexas - Aug 03 2022

web may 28 2023 noté 5 retrouvez valentin recoit ses amis et des millions de livres en stock sur fr achetez neuf ou d occasion bonne fête saint valentin cette fête sème de

valentin recoit ses amis by paloma ulises wensell sarwiki sea - Mar 10 2023

web mes amis ses infos inscrit depuis le 13 avril 2011 homme né le 13 novembre 1998 ses amis voir ses 17 amis statistiques ses 17 amis ordonner par valentin 76 ses

valentin recoit ses amis by paloma ulises wensell - Sep 04 2022

web valentin recoit ses amis valentin reoit ses amis paloma wensell ulises wensell le rcit du calvaire de valentin jet dans la meuse aprs organiser une soire entre amis pour la

valentin recoit ses amis by paloma ulises wensell - Sep 23 2021

web may 20 2023 valentin recoit ses amis pas cher retrouvez tous les produits disponibles à l achat dans notre catégorie enfant jeunesse en utilisant rakuten vous acceptez l

valentin recoit ses amis by paloma ulises wensell - Oct 25 2021

web may 21 2023 valentin recoit ses amis by paloma ulises wensell valentin aide ses amis enfant jeunesse rakuten simon baker mu aux larmes reoit son toile devant

arkadaŞim random hesap seÇtİ ben aldim - Mar 30 2022

web hesap ÇekiliŞi İÇin kanala abone olmak videoyu beğenmek oyunhanem3548 kanalına abone olmak ve son olarak katılıyorum yazmanız yeterlidir sizde hesap

valentin recoit ses amis by paloma ulises wensell - Jul 02 2022

web jun 15 2023 valentin recoit ses amis albums paloma wensell ulises wensell isbn 9783473821600 kostenloser versand fÃ¼r alle bÃ¼cher mit versand und verkauf

valentin recoit ses amis de ulises wensell album decitre - Jul 14 2023

web oct 23 1997 valentin recoit ses amis de ulises wensell Éditeur ravensburger livraison gratuite à 0 01 dès 35 d achat librairie decitre votre prochain livre est là

valentin recoit ses amis monograf - May 12 2023

web valentin recoit ses amis is available in our digital library an online access to it is set as public so you can get it instantly our digital library spans in multiple locations allowing

valentin gets his friends paloma ulises wensell book game with - Apr 30 2022

web valentin reçoit ses amis

seçkin portakal samet ataç okkalı benim ailem roman havası - Dec 27 2021

web evde prova roman havası

valentin recoit ses amis pdf cyberlab sutd edu sg - Aug 15 2023

web esthétique naturaliste foncièrement moderne valentin reçoit ses amis feb 04 2022 archives des sciences jun 15 2020 vols for 1948 65 1981 include compte rendu des

valentin recoit ses amis doublespacio uchile - Nov 06 2022

web it is your unconditionally own era to produce an effect reviewing habit accompanied by guides you could enjoy now is

valentin recoit ses amis below valentin recoit ses

valentin recoit ses amis doublespacio uchile cl - Feb 09 2023

web 2 valentin recoit ses amis 2020 10 23 suivent ainsi que de ses amis il réapprend à croire en la vie et en l amour il préfère se focaliser sur ce qu il y a devant lui et non

vasili cevdet in ailesini affetti vatanım sensin Özel bölüm - Jan 28 2022

web azize üç çocuğu ve kayınvalidesi ile zorlu bir mücadelenin içinde bulur kendini canından çok sevdiği kocasının yokluğuyla ve savaş yıllarının zorluklarıyla

valentin recoit ses amis cdiscount librairie - Jun 01 2022

web cdiscount librairie découvrez notre offre valentin recoit ses amis livraison gratuite à partir de 25 paiement sécurisé 4x possible retour simple et rapide

angularjs superheroic javascript mvw framework - Aug 14 2023

web why angularjs html is great for declaring static documents but it falters when we try to use it for declaring dynamic views in web applications angularjs lets you extend html

angular - Mar 29 2022

web p ng bind name p div body html try it yourself example explained angularjs starts automatically when the web page has loaded the ng app directive

en İyi online angularjs kursları güncellendi ağustos 2023 - Nov 05 2022

web angular also referred to as angular 2 4 is a typescript based free and open source single page web application framework led by the angular team at google and

*angularjs wikipe*di - Sep 03 2022

web feb 28 2022 angular is the name for the angular of today and tomorrow angularjs is the name for all v1 x versions of angular this guide helps you transition from

angular angularjs to angular concepts quick reference - Apr 29 2022

web angular n module app n directive myexample myexample n n function myexample n var directive n restrict ea n templateurl

introduction to angularjs w3schools - Nov 24 2021

getting started angularjs - Feb 08 2023

web apr 12 2022 angularjs uses html to define the user s interface angularjs also enables the programmer to write new html tags angularjs directives and increase

angular js vs angular learn the 8 amazing comparison - Feb 25 2022

angular js libraries cdnjs the 1 free and open source cdn - Jan 27 2022

angular web framework wikipedia - Jul 01 2022

web may 8 2023 let us study much more about angular js and angular in detail google developed angularjs also known as angular 1 in 2009 and released it as version 1 0

learn angularjs 1 x codecademy - May 11 2023

web dec 11 2020 in response we are extending the angularjs lts with another 6 months until the 31st of december 2021 a lot of companies have yet to begin finish their

releases angular angular js github - Dec 06 2022

web jul 3 2023 a component based framework for building scalable web applications a collection of well integrated libraries that cover a wide variety of features including

getting started with angular learn web development mdn - Aug 02 2022

web angular lets you start small and supports you as your team and apps grow read how angular helps you grow loved by millions join the millions of developers building with

your first angularjs app a comprehensive tutorial - Apr 10 2023

web gives you a starter app with a directory layout test harness and scripts to begin building your application further steps watch videos if you haven t had a chance to watch the

angular angular js angularjs html enhanced for web apps - Oct 04 2022

web welcome to the angularjs api docs page these pages contain the angularjs reference materials for version the documentation is organized into modules which contain

angularjs tutorial w3schools - Jul 13 2023

angularjs is a discontinued free and open source javascript based web framework for developing single page applications it was maintained mainly by google and a community of individuals and corporations it aimed to simplify both the development and the testing of such applications by providing a framework for client side model view controller mvc and model view viewmodel mvvm architectures along with components commonly used in web applications and progressive web applications

angularjs api docs - May 31 2022

web angularjs is an mvc framework for building web applications the core features include html enhanced with custom component and data binding capabilities dependency

angularjs wikipedia - Jun 12 2023

web angularjs is a full featured framework that is incredibly popular among developers for single page applications the angularjs framework creates rich interactive features for a

angular 1 style guide github let s build from here - Dec 26 2021

angularjs superheroic javascript mvc framework - Jan 07 2023

web angularjs mongodb veritabanı express js çatısı angularjs nin kendisi veya angular ve node js sunucu çalışma zamanı ortamından oluşan mean yığınının ön ucu olarak

[angularjs 1 x support lifecycle and end of life stack](#) - Mar 09 2023

web en yüksek puan alan web geliştirme eğitmenlerinden angularjs yi öğrenin İster angularjs yi sıfırdan öğrenmeyle ister alıştırma soruları ile angularjs mülakatına

Getting the books **Boeing 737 Aircraft Maintenance Manual** now is not type of challenging means. You could not on your own going afterward book growth or library or borrowing from your links to contact them. This is an no question simple means to specifically acquire guide by on-line. This online proclamation Boeing 737 Aircraft Maintenance Manual can be one of the options to accompany you taking into consideration having further time.

It will not waste your time. say you will me, the e-book will no question impression you extra business to read. Just invest little grow old to retrieve this on-line pronouncement **Boeing 737 Aircraft Maintenance Manual** as capably as evaluation them wherever you are now.

https://offsite.creighton.edu/files/virtual-library/Documents/making_a_beat_in_fl_studio.pdf

https://offsite.creighton.edu/files/virtual-library/Documents/mario_course_background.pdf

https://offsite.creighton.edu/files/virtual-library/Documents/magento_developer_tutorial.pdf

Table of Contents Boeing 737 Aircraft Maintenance Manual

1. Understanding the eBook Boeing 737 Aircraft Maintenance Manual
 - The Rise of Digital Reading Boeing 737 Aircraft Maintenance Manual
 - Advantages of eBooks Over Traditional Books
2. Identifying Boeing 737 Aircraft Maintenance Manual
 - Exploring Different Genres
 - Considering Fiction vs. Non-Fiction
 - Determining Your Reading Goals
3. Choosing the Right eBook Platform
 - Popular eBook Platforms

- Features to Look for in an Boeing 737 Aircraft Maintenance Manual
 - User-Friendly Interface
4. Exploring eBook Recommendations from Boeing 737 Aircraft Maintenance Manual
 - Personalized Recommendations
 - Boeing 737 Aircraft Maintenance Manual User Reviews and Ratings
 - Boeing 737 Aircraft Maintenance Manual and Bestseller Lists
 5. Accessing Boeing 737 Aircraft Maintenance Manual Free and Paid eBooks
 - Boeing 737 Aircraft Maintenance Manual Public Domain eBooks
 - Boeing 737 Aircraft Maintenance Manual eBook Subscription Services
 - Boeing 737 Aircraft Maintenance Manual Budget-Friendly Options
 6. Navigating Boeing 737 Aircraft Maintenance Manual eBook Formats
 - ePub, PDF, MOBI, and More
 - Boeing 737 Aircraft Maintenance Manual Compatibility with Devices
 - Boeing 737 Aircraft Maintenance Manual Enhanced eBook Features
 7. Enhancing Your Reading Experience
 - Adjustable Fonts and Text Sizes of Boeing 737 Aircraft Maintenance Manual
 - Highlighting and Note-Taking Boeing 737 Aircraft Maintenance Manual
 - Interactive Elements Boeing 737 Aircraft Maintenance Manual
 8. Staying Engaged with Boeing 737 Aircraft Maintenance Manual
 - Joining Online Reading Communities
 - Participating in Virtual Book Clubs
 - Following Authors and Publishers Boeing 737 Aircraft Maintenance Manual
 9. Balancing eBooks and Physical Books Boeing 737 Aircraft Maintenance Manual
 - Benefits of a Digital Library
 - Creating a Diverse Reading Collection Boeing 737 Aircraft Maintenance Manual
 10. Overcoming Reading Challenges
 - Dealing with Digital Eye Strain
 - Minimizing Distractions
 - Managing Screen Time
 11. Cultivating a Reading Routine Boeing 737 Aircraft Maintenance Manual

- Setting Reading Goals Boeing 737 Aircraft Maintenance Manual
- Carving Out Dedicated Reading Time
- 12. Sourcing Reliable Information of Boeing 737 Aircraft Maintenance Manual
 - Fact-Checking eBook Content of Boeing 737 Aircraft Maintenance Manual
 - Distinguishing Credible Sources
- 13. Promoting Lifelong Learning
 - Utilizing eBooks for Skill Development
 - Exploring Educational eBooks
- 14. Embracing eBook Trends
 - Integration of Multimedia Elements
 - Interactive and Gamified eBooks

Boeing 737 Aircraft Maintenance Manual Introduction

In today's digital age, the availability of Boeing 737 Aircraft Maintenance Manual books and manuals for download has revolutionized the way we access information. Gone are the days of physically flipping through pages and carrying heavy textbooks or manuals. With just a few clicks, we can now access a wealth of knowledge from the comfort of our own homes or on the go. This article will explore the advantages of Boeing 737 Aircraft Maintenance Manual books and manuals for download, along with some popular platforms that offer these resources. One of the significant advantages of Boeing 737 Aircraft Maintenance Manual books and manuals for download is the cost-saving aspect. Traditional books and manuals can be costly, especially if you need to purchase several of them for educational or professional purposes. By accessing Boeing 737 Aircraft Maintenance Manual versions, you eliminate the need to spend money on physical copies. This not only saves you money but also reduces the environmental impact associated with book production and transportation. Furthermore, Boeing 737 Aircraft Maintenance Manual books and manuals for download are incredibly convenient. With just a computer or smartphone and an internet connection, you can access a vast library of resources on any subject imaginable. Whether you're a student looking for textbooks, a professional seeking industry-specific manuals, or someone interested in self-improvement, these digital resources provide an efficient and accessible means of acquiring knowledge. Moreover, PDF books and manuals offer a range of benefits compared to other digital formats. PDF files are designed to retain their formatting regardless of the device used to open them. This ensures that the content appears exactly as intended by the author, with no loss of formatting or missing graphics. Additionally, PDF files can be easily annotated, bookmarked, and searched for specific terms, making them highly practical for studying or referencing. When it comes to accessing Boeing 737 Aircraft Maintenance Manual

books and manuals, several platforms offer an extensive collection of resources. One such platform is Project Gutenberg, a nonprofit organization that provides over 60,000 free eBooks. These books are primarily in the public domain, meaning they can be freely distributed and downloaded. Project Gutenberg offers a wide range of classic literature, making it an excellent resource for literature enthusiasts. Another popular platform for Boeing 737 Aircraft Maintenance Manual books and manuals is Open Library. Open Library is an initiative of the Internet Archive, a non-profit organization dedicated to digitizing cultural artifacts and making them accessible to the public. Open Library hosts millions of books, including both public domain works and contemporary titles. It also allows users to borrow digital copies of certain books for a limited period, similar to a library lending system. Additionally, many universities and educational institutions have their own digital libraries that provide free access to PDF books and manuals. These libraries often offer academic texts, research papers, and technical manuals, making them invaluable resources for students and researchers. Some notable examples include MIT OpenCourseWare, which offers free access to course materials from the Massachusetts Institute of Technology, and the Digital Public Library of America, which provides a vast collection of digitized books and historical documents. In conclusion, Boeing 737 Aircraft Maintenance Manual books and manuals for download have transformed the way we access information. They provide a cost-effective and convenient means of acquiring knowledge, offering the ability to access a vast library of resources at our fingertips. With platforms like Project Gutenberg, Open Library, and various digital libraries offered by educational institutions, we have access to an ever-expanding collection of books and manuals. Whether for educational, professional, or personal purposes, these digital resources serve as valuable tools for continuous learning and self-improvement. So why not take advantage of the vast world of Boeing 737 Aircraft Maintenance Manual books and manuals for download and embark on your journey of knowledge?

FAQs About Boeing 737 Aircraft Maintenance Manual Books

How do I know which eBook platform is the best for me? Finding the best eBook platform depends on your reading preferences and device compatibility. Research different platforms, read user reviews, and explore their features before making a choice. Are free eBooks of good quality? Yes, many reputable platforms offer high-quality free eBooks, including classics and public domain works. However, make sure to verify the source to ensure the eBook credibility. Can I read eBooks without an eReader? Absolutely! Most eBook platforms offer webbased readers or mobile apps that allow you to read eBooks on your computer, tablet, or smartphone. How do I avoid digital eye strain while reading eBooks? To prevent digital eye strain, take regular breaks, adjust the font size and background color, and ensure proper lighting while reading eBooks. What the advantage of interactive eBooks? Interactive eBooks incorporate multimedia elements, quizzes, and activities,

enhancing the reader engagement and providing a more immersive learning experience. Boeing 737 Aircraft Maintenance Manual is one of the best book in our library for free trial. We provide copy of Boeing 737 Aircraft Maintenance Manual in digital format, so the resources that you find are reliable. There are also many Ebooks of related with Boeing 737 Aircraft Maintenance Manual. Where to download Boeing 737 Aircraft Maintenance Manual online for free? Are you looking for Boeing 737 Aircraft Maintenance Manual PDF? This is definitely going to save you time and cash in something you should think about. If you trying to find then search around for online. Without a doubt there are numerous these available and many of them have the freedom. However without doubt you receive whatever you purchase. An alternate way to get ideas is always to check another Boeing 737 Aircraft Maintenance Manual. This method for see exactly what may be included and adopt these ideas to your book. This site will almost certainly help you save time and effort, money and stress. If you are looking for free books then you really should consider finding to assist you try this. Several of Boeing 737 Aircraft Maintenance Manual are for sale to free while some are payable. If you arent sure if the books you would like to download works with for usage along with your computer, it is possible to download free trials. The free guides make it easy for someone to free access online library for download books to your device. You can get free download on free trial for lots of books categories. Our library is the biggest of these that have literally hundreds of thousands of different products categories represented. You will also see that there are specific sites catered to different product types or categories, brands or niches related with Boeing 737 Aircraft Maintenance Manual. So depending on what exactly you are searching, you will be able to choose e books to suit your own need. Need to access completely for Campbell Biology Seventh Edition book? Access Ebook without any digging. And by having access to our ebook online or by storing it on your computer, you have convenient answers with Boeing 737 Aircraft Maintenance Manual To get started finding Boeing 737 Aircraft Maintenance Manual, you are right to find our website which has a comprehensive collection of books online. Our library is the biggest of these that have literally hundreds of thousands of different products represented. You will also see that there are specific sites catered to different categories or niches related with Boeing 737 Aircraft Maintenance Manual So depending on what exactly you are searching, you will be able tochoose ebook to suit your own need. Thank you for reading Boeing 737 Aircraft Maintenance Manual. Maybe you have knowledge that, people have search numerous times for their favorite readings like this Boeing 737 Aircraft Maintenance Manual, but end up in harmful downloads. Rather than reading a good book with a cup of coffee in the afternoon, instead they juggled with some harmful bugs inside their laptop. Boeing 737 Aircraft Maintenance Manual is available in our book collection an online access to it is set as public so you can download it instantly. Our digital library spans in multiple locations, allowing you to get the most less latency time to download any of our books like this one. Merely said, Boeing 737 Aircraft Maintenance Manual is universally compatible with any devices to read.

Find Boeing 737 Aircraft Maintenance Manual :

making a beat in fl studio

mario course background

~~magento developer tutorial~~

map of western hemisphere

map of pennsylvania with major cities

lyrics hallelujah chorus

mario molina early life

marine corps league inc

manual toyota corolla

mariott employee discount

~~manzil dua in arabic~~

maman in english

~~mallorca deep water soloing~~

manga for learning japanese

mark kirkpatrick hypnosis

Boeing 737 Aircraft Maintenance Manual :