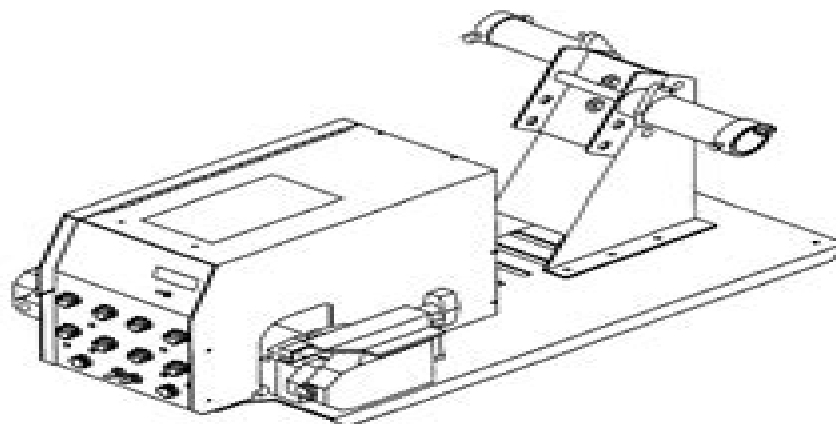




February 1992 FORM: OM-1582A
Effective With Serial No. KC174786

MODEL: D-62
D-64



OWNER'S MANUAL

► **IMPORTANT:** *Read and understand the entire contents of both this manual and the power source manual used with this unit, with special emphasis on the safety material throughout the manual, before installing, operating, or maintaining this equipment. This unit and these instructions are for use only by persons trained and experienced in the safe operation of welding equipment. Do not allow untrained persons to install, operate, or maintain this unit. Contact your distributor if you do not fully understand these instructions.*

MILLER ELECTRIC Mfg. Co.
A Miller Group Ltd. Company

P.O. Box 1079
Appleton, WI 54912 USA
Tel. 414-734-9821

Miller Welder Repair Manual

Guillaume Favre



Miller Welder Repair Manual

Welding For Dummies Steven Robert Farnsworth,2010-10-04 Get the know how to weld like a pro Being a skilled welder is a hot commodity in today s job market as well as a handy talent for industrious do it yourself repairpersons and hobbyists Welding For Dummies gives you all the information you need to perform this commonly used yet complex task This friendly practical guide takes you from evaluating the material to be welded all the way through the step by step welding process and everything in between Plus you ll get easy to follow guidance on how to apply finishing techniques and advice on how to adhere to safety procedures Explains each type of welding including stick tig mig and fluxcore welding as well as oxyfuel cutting which receives sparse coverage in other books on welding Tips on the best welding technique to choose for a specific project Required training and certification information Whether you have no prior experience in welding or are looking for a thorough reference to supplement traditional welding instruction the easy to understand information in Welding For Dummies is the ultimate resource for mastering this intricate skill

Audel Welding Pocket Reference James E. Brumbaugh,Rex Miller,2007-03-15 Featuring updated charts dealing with the most common situations welding workers face on the job this comprehensive pocket sized reference is based on recommendations from working professionals and covers welding symbols and definitions types of joints and welds typical welding station configurations oxygen cylinders arc welding charts U S metric measures and more

Audel Millwrights and Mechanics Guide Thomas B. Davis,Carl A. Nelson,2010-03-22 The hardcover fully updated edition of the only multi craft trade guide Respected by generations of skilled workers Audel Millwright s and Mechanic s Guide is the only trade manual to cover maintenance and troubleshooting for all the mechanical trades in a single volume Now available in hardcover it covers the newest equipment on shop floors as well as older machinery sometimes more than 30 years old for which little maintenance and repair information remains available Millwrights mechanics machinists carpenters pipe fitters electricians engineers and those who supervise them will find this book invaluable The only hardcover maintenance and repair manual to cover all the mechanical trades in one guide This updated guide covers new industrial machinery as well as 30 year old equipment for which little information can be found Essential for those who repair machinery as well as machinists carpenters pipe fitters electricians millwrights mechanics engineers mechanical technicians industrial maintenance managers and construction tradespeople This hardcover edition of Audel Millwright s and Mechanic s Guide is as valuable to today s skilled workers as previous editions were to their fathers and grandfathers

Welder's Handbook Richard Finch,2007-02-21 A newly updated state of the art guide to MIG and TIG arc welding technology Written by a noted authority in the field this revised edition of HP s bestselling automotive book for over 20 years is a detailed instructional manual on the theory technique equipment and proper procedures of metal inert gas MIG and tungsten inert gas TIG welding

Motorcycle Handling and Chassis Design Tony Foale,2006

Welding Todd Bridigum,2022-03-22 Expert advice and color photo sequences help young readers and beginners to get started welding safely and with confidence

Eye emergency manual ,2007

Learn to Weld Stephen Christena,2014 DIVMaster MIG welding and the metal fabrication techniques you need to repair create and duplicate projects in your home welding studio Learn to Weld starts with the basics setting up your studio the right safety gear and safety procedures and the equipment and materials you will need to begin with welding With the help of step by step metalworking photos and tutorials you will learn detailed techniques for cutting and grinding and for joinery using a MIG welder Practice the techniques and projects and you ll soon be able to repair create and duplicate metal fabrication projects in your own welding studio Best of all you will have both the fundamental skills and the confidence you need to create whatever is in your imagination With Learn to Weld you ll be equipped to conquer a world of welding projects div

Gender, Ethnicity and Place Linda Peake,D. Alissa Trotz,2002-09-11 This book is concerned with the nature of the relationship between gender ethnicity and poverty in the context of the external and internal dynamics of households in Guyana Using detailed data collected from male and female respondents in three separate locations two urban and one rural and across two major ethnic groups Afro Guyanese and Indo Guyanese the authors discuss the links between gender and race exploring development issues from a feminist perspective

Oxy-Acetylene Welding Manual Lorn Campbell,2009-12 Many of the earliest books particularly those dating back to the 1900s and before are now extremely scarce and increasingly expensive We are republishing these classic works in affordable high quality modern editions using the original text and artwork

Aws D1. 1/d1. 1m American Welding Society,2020-01-17

Mig Welding Guide K Weman,G Lindén,2006-04-30 MIG metal inert gas welding also known as gas metal arc welding GMAW is a key joining technology in manufacturing MIG welding guide provides a comprehensive practical and accessible guide to this widely used process Part one discusses the range of technologies used in MIG welding including power sources shielding gases and consumables Fluxed cored arc welding pulsed MIG welding and MIG brazing are also explored Part two reviews quality and safety issues such as improving productivity in MIG MAG welding assessing weld quality health and safety and methods for reducing costs The final part of the book takes a practical look at the applications of MIG welding with chapters dedicated to the welding of steel and aluminium the use of robotics in MIG welding and the application of MIG welding in the automotive industry MIG welding guide is essential reading for welding and production engineers designers and all those involved in manufacturing Provides extensive coverage on gas metal arc welding a key process in industrial manufacturing User friendly in its language and layout Looks at the practical applications of MIG welding

Making & Being Susan Jahoda,Caroline Woolard,2020-01-23 Making and Being draws on the lived experience of Susan Jahoda and Caroline Woolard visual arts educators who have developed a framework for teaching art with the collective BFAMFAPhD that emphasizes contemplation collaboration and political economy The authors share ideas and pedagogical strategies that they have adapted to spaces of learning which range widely from self organized workshops for professional artists to Foundations BFA and MFA thesis classes This hands on guide includes activities worksheets and assignments and is a critical resource for artists and art educators today Page 4 of cover

Handbook of Engineering Practice of Materials and Corrosion Jung-Chul (Thomas) Eun,2020-09-04 This handbook is an in depth guide to the practical aspects of materials and corrosion engineering in the energy and chemical industries The book covers materials corrosion welding heat treatment coating test and inspection and mechanical design and integrity A central focus is placed on industrial requirements including codes standards regulations and specifications that practicing material and corrosion engineers and technicians face in all roles and in all areas of responsibility The comprehensive resource provides expert guidance on general corrosion mechanisms and recommends materials for the control and prevention of corrosion damage and offers readers industry tested best practices rationales and case studies

Operator, Organizational, Direct and General Support, and Depot Maintenance Manual ,1969

Handbook of Steel Connection Design and Details Akbar R. Tamboli,2010 Surveys the leading methods for connecting structural steel components covering state of the art techniques and materials and includes new information on welding and connections Hundreds of detailed examples photographs and illustrations are found throughout this handbook from publisher description

Transformers ,2005 On cover Reclamation Managing Water in the West Describes how transformers work how they are maintained and how to test and evaluate their condition

Automotive Welding Manual Jay Storer,1995 DIY guide to welding processes and techniques

U. S. Navy Underwater Cutting and Welding Manual Naval Sea Systems Command,2002-06-01 Ship Salvage Harbor Clearance and Wreck Removal oftentimes require extensive underwater cutting and welding The lack of recent fleet experience in these areas dictates the need for a manual that incorporates state of the art equipment and tried and proven underwater cutting and welding techniques The knowledge contained in this manual is a collection of fleet and commercial experience It has been reviewed by technical experts with extensive salvage and underwater cutting and welding experience This revision of the Underwater Cutting and Welding Manual has been prepared to provide the most current information on equipment and procedures available All of the equipment covered may not be found on the Diving Equipment Authorized for Navy Use ANU list NAVSEAINST 10560 2 but is included in this manual as an aid to the salvor who finds himself in a must get the job done situation Further guidance can be found in Appendix E Due to limited time allocation there is a lack of realistic underwater cutting and welding training in the Navy s diving schools Students are given only the basics in school and thereafter must practice to become proficient and gain the experience necessary to become qualified underwater cutters and welders I therefore charge all diving officers master divers and diving supervisors to establish or maintain existing training programs for underwater cutting and welding Practice practice practice

Uncover the mysteries within is enigmatic creation, Embark on a Mystery with **Miller Welder Repair Manual** . This downloadable ebook, shrouded in suspense, is available in a PDF format (*). Dive into a world of uncertainty and anticipation. Download now to unravel the secrets hidden within the pages.

https://offsite.creighton.edu/results/virtual-library/fetch.php/labeling_digestive_system.pdf

https://offsite.creighton.edu/results/virtual-library/fetch.php/Kids_Christian_Coloring_Pages.pdf

https://offsite.creighton.edu/results/virtual-library/fetch.php/kristian_kwon_marine.pdf

Table of Contents Miller Welder Repair Manual

1. Understanding the eBook Miller Welder Repair Manual
 - The Rise of Digital Reading Miller Welder Repair Manual
 - Advantages of eBooks Over Traditional Books
2. Identifying Miller Welder Repair Manual
 - Exploring Different Genres
 - Considering Fiction vs. Non-Fiction
 - Determining Your Reading Goals
3. Choosing the Right eBook Platform
 - Popular eBook Platforms
 - Features to Look for in an Miller Welder Repair Manual
 - User-Friendly Interface
4. Exploring eBook Recommendations from Miller Welder Repair Manual
 - Personalized Recommendations
 - Miller Welder Repair Manual User Reviews and Ratings
 - Miller Welder Repair Manual and Bestseller Lists
5. Accessing Miller Welder Repair Manual Free and Paid eBooks
 - Miller Welder Repair Manual Public Domain eBooks
 - Miller Welder Repair Manual eBook Subscription Services
 - Miller Welder Repair Manual Budget-Friendly Options
6. Navigating Miller Welder Repair Manual eBook Formats

- ePub, PDF, MOBI, and More
 - Miller Welder Repair Manual Compatibility with Devices
 - Miller Welder Repair Manual Enhanced eBook Features
7. Enhancing Your Reading Experience
 - Adjustable Fonts and Text Sizes of Miller Welder Repair Manual
 - Highlighting and Note-Taking Miller Welder Repair Manual
 - Interactive Elements Miller Welder Repair Manual
 8. Staying Engaged with Miller Welder Repair Manual
 - Joining Online Reading Communities
 - Participating in Virtual Book Clubs
 - Following Authors and Publishers Miller Welder Repair Manual
 9. Balancing eBooks and Physical Books Miller Welder Repair Manual
 - Benefits of a Digital Library
 - Creating a Diverse Reading Collection Miller Welder Repair Manual
 10. Overcoming Reading Challenges
 - Dealing with Digital Eye Strain
 - Minimizing Distractions
 - Managing Screen Time
 11. Cultivating a Reading Routine Miller Welder Repair Manual
 - Setting Reading Goals Miller Welder Repair Manual
 - Carving Out Dedicated Reading Time
 12. Sourcing Reliable Information of Miller Welder Repair Manual
 - Fact-Checking eBook Content of Miller Welder Repair Manual
 - Distinguishing Credible Sources
 13. Promoting Lifelong Learning
 - Utilizing eBooks for Skill Development
 - Exploring Educational eBooks
 14. Embracing eBook Trends
 - Integration of Multimedia Elements
 - Interactive and Gamified eBooks

Miller Welder Repair Manual Introduction

In this digital age, the convenience of accessing information at our fingertips has become a necessity. Whether its research papers, eBooks, or user manuals, PDF files have become the preferred format for sharing and reading documents. However, the cost associated with purchasing PDF files can sometimes be a barrier for many individuals and organizations. Thankfully, there are numerous websites and platforms that allow users to download free PDF files legally. In this article, we will explore some of the best platforms to download free PDFs. One of the most popular platforms to download free PDF files is Project Gutenberg. This online library offers over 60,000 free eBooks that are in the public domain. From classic literature to historical documents, Project Gutenberg provides a wide range of PDF files that can be downloaded and enjoyed on various devices. The website is user-friendly and allows users to search for specific titles or browse through different categories. Another reliable platform for downloading Miller Welder Repair Manual free PDF files is Open Library. With its vast collection of over 1 million eBooks, Open Library has something for every reader. The website offers a seamless experience by providing options to borrow or download PDF files. Users simply need to create a free account to access this treasure trove of knowledge. Open Library also allows users to contribute by uploading and sharing their own PDF files, making it a collaborative platform for book enthusiasts. For those interested in academic resources, there are websites dedicated to providing free PDFs of research papers and scientific articles. One such website is Academia.edu, which allows researchers and scholars to share their work with a global audience. Users can download PDF files of research papers, theses, and dissertations covering a wide range of subjects. Academia.edu also provides a platform for discussions and networking within the academic community. When it comes to downloading Miller Welder Repair Manual free PDF files of magazines, brochures, and catalogs, Issuu is a popular choice. This digital publishing platform hosts a vast collection of publications from around the world. Users can search for specific titles or explore various categories and genres. Issuu offers a seamless reading experience with its user-friendly interface and allows users to download PDF files for offline reading. Apart from dedicated platforms, search engines also play a crucial role in finding free PDF files. Google, for instance, has an advanced search feature that allows users to filter results by file type. By specifying the file type as "PDF," users can find websites that offer free PDF downloads on a specific topic. While downloading Miller Welder Repair Manual free PDF files is convenient, its important to note that copyright laws must be respected. Always ensure that the PDF files you download are legally available for free. Many authors and publishers voluntarily provide free PDF versions of their work, but its essential to be cautious and verify the authenticity of the source before downloading Miller Welder Repair Manual. In conclusion, the internet offers numerous platforms and websites that allow users to download free PDF files legally. Whether its classic literature, research papers, or magazines, there is something for everyone. The platforms mentioned in this article, such as Project Gutenberg, Open Library, Academia.edu, and Issuu, provide access to a vast collection of PDF files. However, users

should always be cautious and verify the legality of the source before downloading Miller Welder Repair Manual any PDF files. With these platforms, the world of PDF downloads is just a click away.

FAQs About Miller Welder Repair Manual Books

How do I know which eBook platform is the best for me? Finding the best eBook platform depends on your reading preferences and device compatibility. Research different platforms, read user reviews, and explore their features before making a choice. Are free eBooks of good quality? Yes, many reputable platforms offer high-quality free eBooks, including classics and public domain works. However, make sure to verify the source to ensure the eBook credibility. Can I read eBooks without an eReader? Absolutely! Most eBook platforms offer webbased readers or mobile apps that allow you to read eBooks on your computer, tablet, or smartphone. How do I avoid digital eye strain while reading eBooks? To prevent digital eye strain, take regular breaks, adjust the font size and background color, and ensure proper lighting while reading eBooks. What the advantage of interactive eBooks? Interactive eBooks incorporate multimedia elements, quizzes, and activities, enhancing the reader engagement and providing a more immersive learning experience. Miller Welder Repair Manual is one of the best book in our library for free trial. We provide copy of Miller Welder Repair Manual in digital format, so the resources that you find are reliable. There are also many Ebooks of related with Miller Welder Repair Manual. Where to download Miller Welder Repair Manual online for free? Are you looking for Miller Welder Repair Manual PDF? This is definitely going to save you time and cash in something you should think about. If you trying to find then search around for online. Without a doubt there are numerous these available and many of them have the freedom. However without doubt you receive whatever you purchase. An alternate way to get ideas is always to check another Miller Welder Repair Manual. This method for see exactly what may be included and adopt these ideas to your book. This site will almost certainly help you save time and effort, money and stress. If you are looking for free books then you really should consider finding to assist you try this. Several of Miller Welder Repair Manual are for sale to free while some are payable. If you arent sure if the books you would like to download works with for usage along with your computer, it is possible to download free trials. The free guides make it easy for someone to free access online library for download books to your device. You can get free download on free trial for lots of books categories. Our library is the biggest of these that have literally hundreds of thousands of different products categories represented. You will also see that there are specific sites catered to different product types or categories, brands or niches related with Miller Welder Repair Manual. So depending on what exactly you are searching, you will be able to choose e books to suit your own need. Need to access completely for Campbell Biology Seventh Edition book? Access Ebook without any digging. And by having access to our ebook online or by storing it on your computer, you have

convenient answers with Miller Welder Repair Manual To get started finding Miller Welder Repair Manual, you are right to find our website which has a comprehensive collection of books online. Our library is the biggest of these that have literally hundreds of thousands of different products represented. You will also see that there are specific sites catered to different categories or niches related with Miller Welder Repair Manual So depending on what exactly you are searching, you will be able to choose ebook to suit your own need. Thank you for reading Miller Welder Repair Manual. Maybe you have knowledge that, people have search numerous times for their favorite readings like this Miller Welder Repair Manual, but end up in harmful downloads. Rather than reading a good book with a cup of coffee in the afternoon, instead they juggled with some harmful bugs inside their laptop. Miller Welder Repair Manual is available in our book collection an online access to it is set as public so you can download it instantly. Our digital library spans in multiple locations, allowing you to get the most less latency time to download any of our books like this one. Merely said, Miller Welder Repair Manual is universally compatible with any devices to read.

Find Miller Welder Repair Manual :

labeling digestive system

kids christian coloring pages

[kristian kwon marine](#)

kyoto osaka japan

king arthur and the knights of the round table book

koko meets mister rogers

[kids eat in color lentil muffins](#)

[kid friendly vacations in georgia](#)

korean war b 29

[kelly inouye perez daughter](#)

la folia restaurant

kevyn aucoin makeup looks

label the male external genitalia using the hints provided.

key concept builder lesson 1 answer key

[lady from shrek with mole](#)

Miller Welder Repair Manual :

operating & parts manual - model 75 This safety booklet describes important safety features on Brush Bandit® Chippers. This booklet involves safety for your employees and the chipper. The safety ... Support | Bandit Industries, Inc. | Bandit Equipment Bandit's legendary customer service includes everything from phone-based tech support to on-site repair, tech tips and more. Explore all the ways Bandit ... Bandit 250 xp Service Manual Oct 18, 2006 — Hi all I have a 1998 Brush Bandit 250 xp I bought some years ago from a rental company. it has been very good to me the only thing I have Brush bandit 150 Manuals Manuals and User Guides for Brush Bandit 150. We have 1 Brush Bandit 150 manual available for free PDF download: Operating & Parts Manual ... BRUSH CHIPPER clutch manufacturer's manual for proper service and operation. Do not work ... This Notice describes important safety information for all Brush Bandit wood ... BRUSH BANDIT® - Arborist Supply Engine parts, service and maintenance manuals MUST be purchased through the engine manufacturer or their dealer. NOTE - The producer of the Bandit Chipper ... Brush bandit 200 Manuals Manuals and User Guides for Brush Bandit 200. We have 1 Brush Bandit 200 manual available for free PDF download: Operating & Parts Manual ... MODELS 150 / 200 - Arborist Supply manual from your Bandit Dealer. Before operating ... This Notice describes important safety information for all Brush Bandit wood chipper owners and operators. Brush Bandit 65A 65AW Brush Chipper Operator Parts ... Brush Bandit 65A 65AW Brush Chipper Operator Parts Owners Manual Book Operating ; Quantity. 3 available ; Item Number. 256064744096 ; Brand. Brush Bandit ; Accurate ... 900-8901-67: bandit 15xp /1390 operating & parts manual Bandit parts have moved to our all-new parts portal, Modern Equipment Parts, featuring manuals, how-to videos and maintenance tips, and more! · Click here to ... The Logic Book, Sixth Edition ... answer is fairly simple. We want a derivation system to be truth-preserving ... key also gives the English readings of the predicates of PL we will use in ... The Logic Book 6th Edition Textbook Solutions Unlike static PDF The Logic Book 6th Edition solution manuals or printed answer keys, our experts show you how to solve each problem step-by-step. No need ... Student Solutions Manual To learn more about the book this website supports, please visit its Information Center. Patt, Online Learning Center. Instructor Edition. Student Edition ... The Logic Book Information Center: - Mheducation - McGraw Hill The Logic Book is a leading text for symbolic logic courses that presents all concepts and techniques with clear, comprehensive explanations. The Logic Book - 6th Edition - Solutions and Answers Find step-by-step solutions and answers to The Logic Book - 9781259412899, as well as thousands of textbooks so you can move forward with confidence. The logic book 6th edition The logic book 6th edition answer key. The logic book 6th edition solutions. The logic book 6th edition answers. The logic book 6th edition solutions pdf. The Logic Book with Student Solutions Manual This outstanding book is a leading text for symbolic or formal logic courses All techniques and concepts are presented with clear, ... Exercises 7 4 - The Logic Book: 6th Edition Insert at end... Use the following symbolization key to translate sentences a-r into fluent ... Which answer is a translation of this natural language sentence into formal logic?

Introduction to Logic II). Homework— The Logic Book (6e), Chapter 7. Review answers for 7.3 #2-4 (p. 294-6). Here is the portion of the student solutions manual for the relevant ... The Logic Book 6th edition Plus Solution Manual The Logic Book 6th edition Plus Solution Manual ; bunniscloset (25) ; Approx. £39.92. + £4.33 postage ; Item description from the sellerItem description from the ... The Icebound Land (Ranger's Apprentice, Book 3) Kidnapped and taken to a frozen land after the fierce battle with Lord Morgarath, Will and Evanlyn are bound for Skandia as captives aboard a fearsome ... The Icebound Land The Icebound Land is the third book in the Ranger's Apprentice book series written by Australian author John Flanagan. The book was released on 30 November ... The Icebound Land (Ranger's Apprentice, #3) ... Kidnapped after the fierce battle with Lord Morgarath, Will and Evanlyn are bound for Skandia as captives aboard a fearsome wolfship. The Icebound Land | Flanagan Wiki - Fandom Kidnapped and taken to a frozen land after the fierce battle with Lord Morgarath, Will and Evanlyn are bound for Skandia as captives. The Icebound Land — "Ranger's Apprentice" - Books A dark knight captures two friends and their friends try to make a daring rescue. The Icebound Land - Flip PDF Looking for The Icebound Land? Just check 579 flip PDFs. Like The Icebound Land? Share and download The Icebound Land for free. Ranger's Apprentice #03, The Icebound Land - PB Kidnapped after the fierce battle with Lord Morgarath, Will and Evanlyn are bound for Skandia as captives aboard a fearsome wolfship. Ages 12 and up. The Icebound Land (Ranger's Apprentice #3): John Flanagan The icebound land follows on from the burning bridge with Will and Evanlyn taken by the Skandians and across the ocean to Skandia where they will be turned into ... The Icebound Land: John Flanagan Kidnapped after the fierce battle with Lord Morgarath, Will and Evanlyn are bound for Skandia as captives aboard a fearsome wolfship. Halt has sworn to rescue ... Rangers Apprentice - Book 3: The Icebound Land - Chapter 1