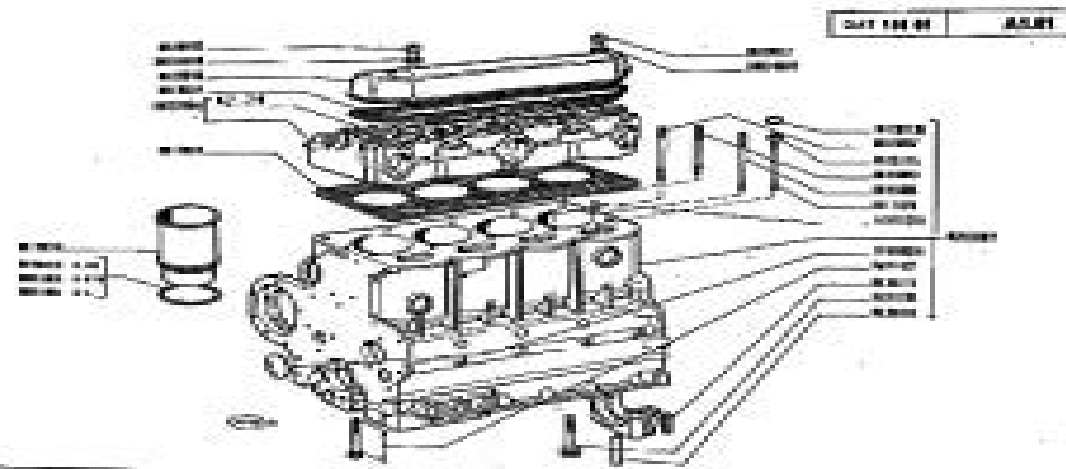




PARTS MANUAL



QNT 100 01 AL.01

<p>880-880 DT 01 00</p>	<p>BASAMENTO E TESTA CILINDRI <small>BASE of CYLINDER Manifold and Cylinder Head</small></p> <p><small>Cylinder and Cylinder Head Motor di Trattore e Pagine</small></p>	<p>AL.01</p>
-----------------------------	--	---------------------

Imt Af 180 Manual

Randy W. Beck



Imt Af 180 Manual

Instrument Flying Air Force,2013-09

Manual of Hypertension of the European Society of Hypertension, Third Edition Giuseppe Mancia,Guido Grassi,Konstantinos Tsioufis,Anna Dominiczak,Enrico Agabiti Rosei,2019-06-06 The Manual of Hypertension of the European Society of Hypertension reflects emerging concepts that have the potential to impact diagnostic and therapeutic approaches to hypertension Updating all material this new edition also delves into a number of areas that have received heightened interest in recent years or have become a matter of debate due to the controversial interpretation of the available data FEATURES Reflects emerging concepts impacting diagnostic and therapeutic approaches Explores background history epidemiology and risk factors Describes pharmacological nonpharmacological and medical treatments Examines hypertension in special populations and treatment

ASPC Manual of Preventive Cardiology Ezra A. Amsterdam,Nathan Wong,Ezra Amsterdam, MD,Roger Blumenthal, MD, FACC, FAHA,2014-10-23 Endorsed by the American Society for Preventive Cardiology this highly practical resource focuses on the application of current guidelines and practice standards in the clinical management of cardiovascular risk factors The Manual presents concise descriptions of each major cardiovascular risk factor and practical to the point discussions of current best practices in clinical management In addition the Manual includes chapters on peripheral arterial disease stroke smoking contemporary cardiovascular imaging heart failure metabolic syndrome thrombosis nutrition special populations novel risk factors and psychosocial stress Throughout the Manual recommendations are based on the most recent prevention guidelines of the American College of Cardiology and American Heart Association including those on Risk Assessment Lifestyle Recommendations Blood Cholesterol and Obesity as well as the new guidelines on Hypertension Chapter authors are recognized leaders in each area of practice and special efforts have been made by the authors and editors to ensure that the content of all chapters is as up to date as possible Key Features Presents a highly practical focus on the application of current guidelines and practice standards regarding cardiovascular risk factors Recommendations based on the most recent prevention guidelines Authored by recognized leaders in the field Covers all major cardiovascular risk factors key methodologies in risk assessment and special issues regarding specific patient populations

The Air Force Law Review ,1974

BSAVA Manual of Canine and Feline Haematology and Transfusion Medicine British Small Animal Veterinary Association, 2000 This unique book written by specialists from the UK the USA Canada Australia and South Africa bridges the disciplines of clinical pathology internal medicine and critical care in a single volume The Manual is divided into three sections haematology haemostasis and transfusion medicine Within each section review chapters are augmented by contributions on selected topics of interest to the practitioner Methods of sample collection and interpretation for routine haematology haemostatic function and bone marrow analysis are reviewed and new developments such as flow cytometry for typing leukaemias outlined The diagnosis and management of a range of major infectious immune mediated and neoplastic diseases of the haematopoietic system are discussed A chapter on canine babesiosis is timely given the recent reports of cases in the UK and a chapter is also included on the feline pathogen Haemobartonella felis A wealth of excellent colour photographs throughout the book illustrates cell types and abnormalities plus techniques such as blood transfusion The range of coverage and the practical information in this Manual will render it of great value in the practice setting BSAVA BVNA and FECAVA members can claim their member discount by ordering direct from British Small Animal Veterinary Association Woodrow House 1 Telford Way Waterwells Business Park Quedgeley Gloucester GL2 4AB Tel 01452 726709 Fax 01452 726701 E mail publications bsava com

TRADOC Pamphlet TP 600-4 The Soldier's Blue Book United States Government Us Army, 2019-12-14 This manual TRADOC Pamphlet TP 600 4 The Soldier s Blue Book The Guide for Initial Entry Soldiers August 2019 is the guide for all Initial Entry Training IET Soldiers who join our Army Profession It provides an introduction to being a Soldier and Trusted Army Professional certified in character competence and commitment to the Army The pamphlet introduces Soldiers to the Army Ethic Values Culture of Trust History Organizations and Training It provides information on pay leave Thrift Saving Plans TSPs and organizations that will be available to assist you and your Families The Soldier s Blue Book is mandated reading and will be maintained and available during BCT OSUT and AIT This pamphlet applies to all active Army U S Army Reserve and the Army National Guard enlisted IET conducted at service schools Army Training Centers and other training activities under the control of Headquarters TRADOC

Customary International Humanitarian Law Jean-Marie Henckaerts, Carolin Alvermann, Comité international de la Croix-Rouge, 2005-03-03 Customary International Humanitarian Law Volume I Rules is a comprehensive analysis of the customary rules of international humanitarian law applicable in international and non international armed conflicts In the absence of ratifications of important treaties in this area this is clearly a publication of major importance carried out at the express request of the international community In so doing this study identifies the common core of international humanitarian law binding on all parties to all armed conflicts Comment Don RWI

Recommendations on the Transport of Dangerous Goods United Nations,2020-01-06 The Manual of Tests and Criteria contains criteria test methods and procedures to be used for classification of dangerous goods according to the provisions of Parts 2 and 3 of the United Nations Recommendations on the Transport of Dangerous Goods Model Regulations as well as of chemicals presenting physical hazards according to the Globally Harmonized System of Classification and Labelling of Chemicals GHS As a consequence it supplements also national or international regulations which are derived from the United Nations Recommendations on the Transport of Dangerous Goods or the GHS At its ninth session 7 December 2018 the Committee adopted a set of amendments to the sixth revised edition of the Manual as amended by Amendment 1 This seventh revised edition takes account of these amendments In addition noting that the work to facilitate the use of the Manual in the context of the GHS had been completed the Committee considered that the reference to the Recommendations on the Transport of Dangerous Goods in the title of the Manual was no longer appropriate and decided that from now on the Manual should be entitled Manual of Tests and Criteria

The Soviet Partisan Movement, 1941-1944 Edgar M. Howell,2014-08-15 The purpose of this text is to provide the Army with a factual account of the organization and operations of the Soviet resistance movement behind the German forces on the Eastern Front during World War II This movement offers a particularly valuable case study for it can be viewed both in relation to the German occupation in the Soviet Union and to the offensive and defensive operations of the Wehrmacht and the Red Army The scope of the study includes an over all picture of a quasi military organization in relation to a larger conflict between two regular armies It is not a study in partisan tactics nor is it intended to be German measures taken to combat the partisan movement are sketched in but the story in large part remains that of an organization and how it operated The German planning for the invasion of Russia is treated at some length because many of the circumstances which favored the rise and development of the movement had their bases in errors the Germans made in their initial planning The operations of the Wehrmacht and the Red Army are likewise described in considerable detail as the backdrop against which the operations of the partisan units are projected Because of the lack of reliable Soviet sources the story has been told much as the Germans recorded it German documents written during the course of World War II constitute the principal sources but many survivors who had experience in Russia have made important contributions based upon their personal experience

German Northern Theater of Operations 1940-1945 [Illustrated Edition] Earl Ziemke, 2015-11-06 Includes 23 maps and 31 illustrations This volume describes two campaigns that the Germans conducted in their Northern Theater of Operations The first they launched on 9 April 1940 against Denmark and Norway The second they conducted out of Finland in partnership with the Finns against the Soviet Union The latter campaign began on 22 June 1941 and ended in the winter of 1944 45 after the Finnish Government had sued for peace The scene of these campaigns by the end of 1941 stretched from the North Sea to the Arctic Ocean and from Bergen on the west coast of Norway to Petrozavodsk the former capital of the Karelo Finnish Soviet Socialist Republic It faced east into the Soviet Union on a 700 mile long front and west on a 1 300 mile sea frontier Hitler regarded this theater as the keystone of his empire and after 1941 maintained in it two armies totaling over a half million men In spite of its vast area and the effort and worry which Hitler lavished on it the Northern Theater throughout most of the war constituted something of a military backwater The major operations which took place in the theater were overshadowed by events on other fronts and public attention focused on the theaters in which the strategically decisive operations were expected to take place Remoteness German security measures and the Russians well known penchant for secrecy combined to keep information concerning the Northern Theater down to a mere trickle much of that inaccurate Since the war through official and private publications a great deal more has become known The present volume is based in the main on the greatest remaining source of unexploited information the captured German military and naval records In addition a number of the participants on the German side have very generously contributed from their personal knowledge and experience

Strategy For Defeat: The Luftwaffe, 1933-1945 [Illustrated Edition] Williamson Murray, 2015-11-06 Includes the Aerial Warfare In Europe During World War II illustrations pack with over 200 maps plans and photos This book is a comprehensive analysis of an air force the Luftwaffe in World War II It follows the Germans from their prewar preparations to their final defeat There are many disturbing parallels with our current situation I urge every student of military science to read it carefully The lessons of the nature of warfare and the application of airpower can provide the guidance to develop our fighting forces and employment concepts to meet the significant challenges we are certain to face in the future

User's Guide for JOPES (Joint Operation Planning and Execution System). United States. Joint Chiefs of Staff, 1995

Corrosion Control for Offshore Structures Ramesh Singh, 2014-08-12 A variable game changer for those companies operating in hostile corrosive marine environments Corrosion Control for Offshore Structures provides critical corrosion control tips and techniques that will prolong structural life while saving millions in cost In this book Ramesh Singh explains the ABCs of prolonging structural life of platforms and pipelines while reducing cost and decreasing the risk of failure Corrosion Control for Offshore Structures places major emphasis on the popular use of cathodic protection CP combined with high efficiency coating to prevent subsea corrosion This reference begins with the fundamental science of corrosion and structures and then moves on to cover more advanced topics such as cathodic protection coating as corrosion prevention using mill applied coatings field applications and the advantages and limitations of some common coating systems In addition the author provides expert insight on a number of NACE and DNV standards and recommended practices as well as ISO and Standard and Test Methods Packed with tables charts and case studies Corrosion Control for Offshore Structures is a valuable guide to offshore corrosion control both in terms of its theory and application Prolong the structural life of your offshore platforms and pipelines Understand critical topics such as cathodic protection and coating as corrosion prevention with mill applied coatings Gain expert insight on a number of NACE and DNV standards and recommended practices as well as ISO and Standard Test Methods

Operation and Maintenance Manual for Electrostatic Precipitators ,1985

Mergent OTC Unlisted Manual ,2003

Functional Neurology for Practitioners of Manual Medicine E-Book Randy W. Beck,2011-09-21 Functional Neurology for Practitioners of Manual Medicine takes the reader from the embryonic beginnings of the nervous system through the biochemistry of receptor activation and on to the functional systems of the nervous system Concepts relationships and scientific mechanisms of the nervous system function are covered and this aids the practitioner in developing their clinical approach to a wide variety of patient presentations The text is fully referenced which allows the reader to immediately apply the concepts to practice situations New for this edition are new chapters on pain including headache and theoretical evidence plus extensive electronic resources supporting the text Utilizes our understanding of how the nervous system works in the treatment of a variety of clinical conditions Demystifies the clinical results seen in the practice of Functional Neurology and scientifically validates its clinical success Addresses function rather than pathology allowing the reader to gain a firm understanding of the neurological processes seen in health and disease Contains clinical cases which are designed to be read and answered before starting the chapter to allow the reader to gauge their current state of knowledge Quick Facts introduce new concepts or allow rapid review of information already presented in the text in a brief and succinct manner Contains a detailed overview of the concepts relating to our understanding of the development of emotion to demonstrate the link between physical health and the mind Contains abundant references to support controversial concepts Contains new chapters on theoretical evidence and the management of pain including headache Contains a wide range of additional case studies clinical conundrums and key questions and answers for each topic Bonus DVD contains fully searchable text a downloadable image bank brain dissection and video clips of the manipulative techniques and examination procedures found within the volume plus 200 multiple choice questions

Manual of Symbols and Terminology for Physicochemical Quantities and Units D. H. Whiffen,2013-10-22 Manual of Symbols and Terminology for Physicochemical Quantities and Units 1979 Edition contains physical quantity tabulations of products The Commission on Symbols Terminology and Units is a part of the Division of Physical Chemistry of the International Union of Pure and Applied Chemistry Its general responsibilities are to secure clarity and precision and wider agreement in the use of symbols by chemists in different countries among physicists chemists and engineers and by editors of scientific journals This book is composed of 13 chapters and begins with the determination of physical quantities and symbols for physical quantities which are generally organized in a dimensional system built upon seven base quantities The succeeding chapters deal with recommended names and symbols for quantities in chemistry and physics These topics are followed by discussions on units and symbols for units numbers that printed in upright type Other chapters describe physical quantities units and numerical values recommended mathematical symbols symbols for chemical elements nuclides and particles The final chapters consider the values of some fundamental constants This book will be of value to analytical and physical chemists

IAMSAR Manual International Maritime Organization,2002

Medical Terminology Barbara A. Gylys,Barbara A. Gylys, MeD, CMA-A,Mary Ellen Wedding,1999-02 Each chapter in the volume features outlines objectives line drawings pronunciation keys and worksheets for immediate feedback The book uses word building and the body systems approach to teach terminology Medical records sections relate the content to real life situations

Demeter's Manual of Parliamentary Law and Procedure George Demeter,1969

Imt Af 180 Manual: Bestsellers in 2023 The year 2023 has witnessed a noteworthy surge in literary brilliance, with numerous engrossing novels enthraling the hearts of readers worldwide. Lets delve into the realm of bestselling books, exploring the engaging narratives that have charmed audiences this year. The Must-Read : Colleen Hoover's "It Ends with Us" This touching tale of love, loss, and resilience has captivated readers with its raw and emotional exploration of domestic abuse. Hoover skillfully weaves a story of hope and healing, reminding us that even in the darkest of times, the human spirit can prevail. Uncover the Best : Taylor Jenkins Reids "The Seven Husbands of Evelyn Hugo" This captivating historical fiction novel unravels the life of Evelyn Hugo, a Hollywood icon who defies expectations and societal norms to pursue her dreams. Reids absorbing storytelling and compelling characters transport readers to a bygone era, immersing them in a world of glamour, ambition, and self-discovery. Discover the Magic : Delia Owens "Where the Crawdads Sing" This evocative coming-of-age story follows Kya Clark, a young woman who grows up alone in the marshes of North Carolina. Owens crafts a tale of resilience, survival, and the transformative power of nature, captivating readers with its evocative prose and mesmerizing setting. These popular novels represent just a fraction of the literary treasures that have emerged in 2023. Whether you seek tales of romance, adventure, or personal growth, the world of literature offers an abundance of captivating stories waiting to be discovered. The novel begins with Richard Papen, a bright but troubled young man, arriving at Hampden College. Richard is immediately drawn to the group of students who call themselves the Classics Club. The club is led by Henry Winter, a brilliant and charismatic young man. Henry is obsessed with Greek mythology and philosophy, and he quickly draws Richard into his world. The other members of the Classics Club are equally as fascinating. Bunny Corcoran is a wealthy and spoiled young man who is always looking for a good time. Charles Tavis is a quiet and reserved young man who is deeply in love with Henry. Camilla Macaulay is a beautiful and intelligent young woman who is drawn to the power and danger of the Classics Club. The students are all deeply in love with Morrow, and they are willing to do anything to please him. Morrow is a complex and mysterious figure, and he seems to be manipulating the students for his own purposes. As the students become more involved with Morrow, they begin to commit increasingly dangerous acts. The Secret History is a masterful and suspenseful novel that will keep you wondering until the very end. The novel is a cautionary tale about the dangers of obsession and the power of evil.

<https://offsite.creighton.edu/public/book-search/index.jsp/Kings%20Island%20Book.pdf>

https://offsite.creighton.edu/public/book-search/index.jsp/Lance_The_Wrapper.pdf

https://offsite.creighton.edu/public/book-search/index.jsp/lance_armstrong_win_tour_de_france.pdf

Table of Contents Imt Af 180 Manual

1. Understanding the eBook Imt Af 180 Manual
 - The Rise of Digital Reading Imt Af 180 Manual
 - Advantages of eBooks Over Traditional Books
2. Identifying Imt Af 180 Manual
 - Exploring Different Genres
 - Considering Fiction vs. Non-Fiction
 - Determining Your Reading Goals
3. Choosing the Right eBook Platform
 - Popular eBook Platforms
 - Features to Look for in an Imt Af 180 Manual
 - User-Friendly Interface
4. Exploring eBook Recommendations from Imt Af 180 Manual
 - Personalized Recommendations
 - Imt Af 180 Manual User Reviews and Ratings
 - Imt Af 180 Manual and Bestseller Lists
5. Accessing Imt Af 180 Manual Free and Paid eBooks
 - Imt Af 180 Manual Public Domain eBooks
 - Imt Af 180 Manual eBook Subscription Services
 - Imt Af 180 Manual Budget-Friendly Options
6. Navigating Imt Af 180 Manual eBook Formats
 - ePub, PDF, MOBI, and More
 - Imt Af 180 Manual Compatibility with Devices
 - Imt Af 180 Manual Enhanced eBook Features
7. Enhancing Your Reading Experience
 - Adjustable Fonts and Text Sizes of Imt Af 180 Manual
 - Highlighting and Note-Taking Imt Af 180 Manual
 - Interactive Elements Imt Af 180 Manual
8. Staying Engaged with Imt Af 180 Manual

- Joining Online Reading Communities
 - Participating in Virtual Book Clubs
 - Following Authors and Publishers Imt Af 180 Manual
9. Balancing eBooks and Physical Books Imt Af 180 Manual
- Benefits of a Digital Library
 - Creating a Diverse Reading Collection Imt Af 180 Manual
10. Overcoming Reading Challenges
- Dealing with Digital Eye Strain
 - Minimizing Distractions
 - Managing Screen Time
11. Cultivating a Reading Routine Imt Af 180 Manual
- Setting Reading Goals Imt Af 180 Manual
 - Carving Out Dedicated Reading Time
12. Sourcing Reliable Information of Imt Af 180 Manual
- Fact-Checking eBook Content of Imt Af 180 Manual
 - Distinguishing Credible Sources
13. Promoting Lifelong Learning
- Utilizing eBooks for Skill Development
 - Exploring Educational eBooks
14. Embracing eBook Trends
- Integration of Multimedia Elements
 - Interactive and Gamified eBooks

Imt Af 180 Manual Introduction

In today's digital age, the availability of Imt Af 180 Manual books and manuals for download has revolutionized the way we access information. Gone are the days of physically flipping through pages and carrying heavy textbooks or manuals. With just a few clicks, we can now access a wealth of knowledge from the comfort of our own homes or on the go. This article will explore the advantages of Imt Af 180 Manual books and manuals for download, along with some popular platforms that offer these resources. One of the significant advantages of Imt Af 180 Manual books and manuals for download is the cost-saving aspect. Traditional books and manuals can be costly, especially if you need to purchase several of them for educational or

professional purposes. By accessing Imt Af 180 Manual versions, you eliminate the need to spend money on physical copies. This not only saves you money but also reduces the environmental impact associated with book production and transportation. Furthermore, Imt Af 180 Manual books and manuals for download are incredibly convenient. With just a computer or smartphone and an internet connection, you can access a vast library of resources on any subject imaginable. Whether you're a student looking for textbooks, a professional seeking industry-specific manuals, or someone interested in self-improvement, these digital resources provide an efficient and accessible means of acquiring knowledge. Moreover, PDF books and manuals offer a range of benefits compared to other digital formats. PDF files are designed to retain their formatting regardless of the device used to open them. This ensures that the content appears exactly as intended by the author, with no loss of formatting or missing graphics. Additionally, PDF files can be easily annotated, bookmarked, and searched for specific terms, making them highly practical for studying or referencing. When it comes to accessing Imt Af 180 Manual books and manuals, several platforms offer an extensive collection of resources. One such platform is Project Gutenberg, a nonprofit organization that provides over 60,000 free eBooks. These books are primarily in the public domain, meaning they can be freely distributed and downloaded. Project Gutenberg offers a wide range of classic literature, making it an excellent resource for literature enthusiasts. Another popular platform for Imt Af 180 Manual books and manuals is Open Library. Open Library is an initiative of the Internet Archive, a non-profit organization dedicated to digitizing cultural artifacts and making them accessible to the public. Open Library hosts millions of books, including both public domain works and contemporary titles. It also allows users to borrow digital copies of certain books for a limited period, similar to a library lending system. Additionally, many universities and educational institutions have their own digital libraries that provide free access to PDF books and manuals. These libraries often offer academic texts, research papers, and technical manuals, making them invaluable resources for students and researchers. Some notable examples include MIT OpenCourseWare, which offers free access to course materials from the Massachusetts Institute of Technology, and the Digital Public Library of America, which provides a vast collection of digitized books and historical documents. In conclusion, Imt Af 180 Manual books and manuals for download have transformed the way we access information. They provide a cost-effective and convenient means of acquiring knowledge, offering the ability to access a vast library of resources at our fingertips. With platforms like Project Gutenberg, Open Library, and various digital libraries offered by educational institutions, we have access to an ever-expanding collection of books and manuals. Whether for educational, professional, or personal purposes, these digital resources serve as valuable tools for continuous learning and self-improvement. So why not take advantage of the vast world of Imt Af 180 Manual books and manuals for download and embark on your journey of knowledge?

FAQs About Imt Af 180 Manual Books

How do I know which eBook platform is the best for me? Finding the best eBook platform depends on your reading preferences and device compatibility. Research different platforms, read user reviews, and explore their features before making a choice. Are free eBooks of good quality? Yes, many reputable platforms offer high-quality free eBooks, including classics and public domain works. However, make sure to verify the source to ensure the eBook credibility. Can I read eBooks without an eReader? Absolutely! Most eBook platforms offer web-based readers or mobile apps that allow you to read eBooks on your computer, tablet, or smartphone. How do I avoid digital eye strain while reading eBooks? To prevent digital eye strain, take regular breaks, adjust the font size and background color, and ensure proper lighting while reading eBooks. What the advantage of interactive eBooks? Interactive eBooks incorporate multimedia elements, quizzes, and activities, enhancing the reader engagement and providing a more immersive learning experience. Imt Af 180 Manual is one of the best book in our library for free trial. We provide copy of Imt Af 180 Manual in digital format, so the resources that you find are reliable. There are also many Ebooks of related with Imt Af 180 Manual. Where to download Imt Af 180 Manual online for free? Are you looking for Imt Af 180 Manual PDF? This is definitely going to save you time and cash in something you should think about.

Find Imt Af 180 Manual :

kings island book

lance the wrapper

[lance armstrong win tour de france](#)

la ultima invitacion angeles sin alas

label the plant diagram

kid friendly scattergories lists

labeled western hemisphere map

kyoto osaka map

[lacrosse for beginners](#)

karl von terzaghi

kindergarten activity book

[landforms of the northeast](#)

khe sanh on map

la-petit-prince-pdf

komi can't communicate confession

Imt Af 180 Manual :

les recettes d alsace recettes de cuisine - Jul 02 2022

web jan 9 2023 de quel genre de recette d alsace avez vous envie choisissez un plat ou un ingrédient pour voir les recettes correspondantes recettes faciles d alsace sélection des recettes les plus faciles et rapides

les 17 plats typiquement alsaciens à essayer absolument - Aug 15 2023

web mar 2 2022 les 17 plats typiquement alsaciens à essayer absolument 2 mars 2022 par mona l alsace et la gastronomie c est tout une histoire souvent d influence germanique les plats originaux et délicieux ne manquent pas

salade alsacienne recette de salade alsacienne marmiton - Mar 30 2022

web salade alsacienne 4 7 5 25 commentaires 1 5 20 min très facile bon marché mon carnet partager ingrédients 4 personnes 2 tomates moyennes 200 g d emmental en dés 1 oignon persil 1 laitue ou autre salade tendre 6 tranches de jambon blanc 4 saucisses de strasbourg 4 oeufs durs 400 g de pomme de terre à chair ferme ratte charlotte

recettes alsaciennes traditionnelles viandes dessert - Apr 11 2023

web les recettes alsaciennes les plus populaires niveau sucré comme salé avec nos recettes alsaciennes vous serez comblés ces spécialités typiques de la région ou des plats concoctés à l alsacienne vous permettent de monter un menu de l entrée au dessert choucroute de la mer facile tarte flambée alsacienne flammekueche

les meilleures recettes de la gastronomie alsacienne vins alsace - Mar 10 2023

web découvrez les meilleures recettes et spécialités de la gastronomie alsacienne sur vins d alsace

la table alsacienne boutique en ligne de produit artisanal alsacien - Oct 05 2022

web le coeur de la table alsacienne est une spécialité de pain d épices traditionnelle alsacienne en forme de cœur préparé avec soin par les pâtisseries patrick christophe et laurent ce biscuit combine les saveurs douces et épicées du miel et des épices

les recettes de la table alsacienne broché fnac - Jan 08 2023

web oct 1 2012 les recettes de la table alsacienne joseph koscher antoine diss francis hinault charles euler chiron des milliers de livres avec la livraison chez vous en 1 jour ou en magasin avec 5 de réduction

boutique de produits alsacien la table alsacienne - Aug 03 2022

web la table alsacienne propose une palette de produits alsaciens authentiques tels que les fameux bredalas petits biscuits emblématiques de la pâtisserie alsacienne les délicats macarons coco les confitures artisanales récompensées par une

médaille d'or le savoureux pain d'épices et une gamme variée de miels

les recettes alsaciennes de jds fr - Jun 13 2023

web voici une bonne recette alsacienne qui vous rappellera sans doute des souvenirs parce que nos grand mères alsaciennes connaissaient toutes cette recette de galettes de semoule qui a l'avantage de remplir les estomacs sans coûter cher un plat de fin de mois qui en plus est rapide et facile à préparer

recettes cuisine alsacienne faciles et originales madame figaro - Dec 07 2022

web 21 recettes choucroute flammekueche kougelhopf ou kouglof savourez de bons petits plats du terroir alsacien parfaits pour agrémenter une longue soirée d'hiver

les recettes de l'alsacienne le gourmet et ses recettes - Sep 04 2022

web découvrez toutes les recettes de cuisine de les recettes de l'alsacienne dans le club chef simon

les recettes de la table alsacienne amazon fr - May 12 2023

web les recettes de la table alsacienne broché 1 janvier 2004 de joseph kosher auteur antoine diss auteur francis hinault auteur 4 6 8 évaluations afficher tous les formats et éditions

les recettes de la table alsacienne amazon com mx libros - Apr 30 2022

web j'ai été heureuse de trouver cette réédition d'un grand classique de la cuisine alsacienne les recettes de la table alsacienne que je croyais épuisé et introuvable j'ai toujours vu ma mère beaucoup s'en servir et j'avais envie de l'avoir sur mes étagères

les recettes de la table alsacienne abebooks - Dec 27 2021

web les recettes de la table alsacienne réalisations artistiques et prises de vues par alice bommer diss antoine francis hinault charles euler joseph kosher

les recettes de la table alsacienne open library - Jun 01 2022

web les recettes de la table alsacienne by 1969 saisons d'alsace edition in french français

recettes alsaciennes marmiton 76539 recettes de cuisine - Jan 28 2022

web recettes alsaciennes 5 recettes filtrer quenelles à la semoule vraie recette alsacienne 4 9 5 9 avis linzer torte la recette alsacienne 4 4 5 7 avis bibleskåse recette alsacienne au fromage blanc 5 5 1 avis cette recette alsacienne facile rapide et pas chère pour un repas gourmand berawecka spécialité alsacienne 4 5 5 2 avis

les recettes de la table alsacienne de joseph kosher decitre - Feb 26 2022

web jan 1 1991 les recettes de la table alsacienne de joseph kosher Éditeur chiron livraison gratuite à 0 01 dès 35 d'achat librairie decitre votre prochain livre est là

recettes de cuisine alsacienne les recettes les mieux notées - Nov 06 2022

web cuisine alsacienne la cuisine alsacienne est teintée d'influence allemande elle regorge de spécialités salées dont les plus connues restent la tarte à l'oignon la choucroute la potée et la tarte flambée mais aussi de préparations sucrées comme le gâteau au vin rouge la tarte au fromage blanc le pain d'épices etc

[les spécialités gourmandes alsaciennes visit alsace](#) - Jul 14 2023

web les spécialités gourmandes alsaciennes terre des plaisirs de la table l'alsace satisfait toutes les envies culinaires sur le pouce à table plaisir à partager ou en solo découvrez de nombreuses spécialités au bon goût de tradition

les délices traditionnels de la table alsacienne bredeles alsaciens - Feb 09 2023

web découvrez les macarons coco mélange de la table alsacienne de délicieuses gourmandises alliant la saveur exotique de la noix de coco à des notes de pistache de chocolat et de vanille confectionnés selon une recette traditionnelle ces macarons offrent une texture légère et un goût exquis

just 2 600 steps a day can benefit your health study finds - Apr 27 2022

web changing your habits steps to better health below reset your mindset how to win at weight loss donna court 2021 02 19 habits changes for better health melisa

healthy habits and effects how to improve wellbeing - Dec 04 2022

web before changes turn into new habits you may face challenges along the way but adopting new healthier habits may protect you from serious health problems such as diabetes

[changing your habits steps to better health](#) - Jul 31 2022

web apr 11 2011 pre contemplation contemplation it might be helpful to ask yourself about the pros benefits and cons drawbacks of changing your habits preparation this

changing your habits for better health niddk - Nov 03 2022

web mar 29 2019 here's how step 1 isolate the cue the cue is the thing that triggers you to perform your habit it can be something internal such as hunger or boredom or

how to make lifestyle changes and build new habits - Jun 29 2022

web 2 days ago cook more at home drink more water balance your meals it's important to be specific about your goal based on your current eating habits don't just look at the

[world diabetes day 2023 follow these night routine steps for](#) - Feb 11 2021

web jul 28 2023 changing yourself for the better is a two part process getting rid of a bad habit comes first but staying away from that habit in the future requires you to find a

changing your habits for better health niddk - Oct 14 2023

making the leap from thinking about change to taking action can be hard and may take time asking yourself about the pros

benefits and cons things that get in see more

creating healthy habits nih news in health - May 09 2023

web the first step in developing your personal plan for change is to figure out how you are feeling about changing your habits

the stages of change diagram describes four

how climate change affects life in the u s npr - Dec 12 2020

7 ways to jumpstart healthy change in your life harvard - Jul 11 2023

make your future a healthy one remember that eating healthy getting regular physical activity and other healthy habits are

lifelong behaviors not one time see more

catholic daily mass daily tv mass november 7 2023 - Nov 10 2020

changing habits health for all generations - Jan 25 2022

web 2 days ago the foods you eat every day can improve your eye health eating foods rich in vitamins a c and e beta

carotene omega 3 fatty acids lutein zeaxanthin and zinc

improving your eating habits healthy weight nutrition - Jan 05 2023

web changing your habits steps to better health publication bethesda md u s dept of health and human services national

institutes of health national institute of diabetes

changing your habits steps to better health download only - Jan 13 2021

web nov 3 2023 eat balanced meals the foods you eat every day can improve your eye health eating foods rich in vitamins a

c and e beta carotene omega 3 fatty acids

oral hygiene best practices instructions for good routine - May 17 2021

web changing your habits steps to better health reflexology apr 27 2022 guide for students and laypersons which provides

details on the background and application of

following heart healthy habits can reverse your biological age - Aug 20 2021

web nov 7 2023 he shares the surprising and encouraging initial findings from more than 20 000 listeners who tried to

incorporate movement breaks into their day also on this

8 habits that can slow your biological age by 6 years - Nov 22 2021

web nov 6 2023 cut back on salt and alcohol and avoid added sugars be more active aim for at least 150 minutes of

moderate to vigorous physical activity a week and two days a

improve your health by starting with one simple change - Mar 07 2023

web outlines four stages starting changing old habits to new healthier ones and provides ways to help improve eating and physical activity habits

changing your habits steps to better health umass chan - Sep 13 2023

if you are in the preparation stage you are about to take action to get started look at your list of pros and cons how can you make a plan and act on it the see more

how to improve memory 12 different ways at any age - Oct 22 2021

web changing your habits steps to better health self esteem take steps to feel better about yourself dec 20 2022 web jul 6 2022 you might also try these steps based on

how to break bad habits and change behaviors - Apr 08 2023

web sep 9 2015 starting on the path to better health can feel overwhelming the thought of trying to make a big change in your diet weight or exercise may seem drastic or

a little help here changing your habits healthline - Feb 06 2023

web if you re interested in changing your habits for better health this idea of using your strengths and being the author of your story can help self actualization is a process of

these activities can greatly improve your heart health and - Mar 15 2021

web nov 7 2023 starting at 8 a m et on ewtn holy mass on tuesday november 7 2023 today s celebrant is father matthew mary readings rom 12 5 16b lk 14 15 24

changing your habits steps to better health searchworks catalog - Sep 01 2022

web nov 9 2023 nick blackmer new research found that taking just 2 600 steps a day can improve your health despite the popular belief that 10 000 daily steps are needed for

changing your habits steps to better health - Dec 24 2021

web you can opt out at any time following eight simple habits can help improve your heart health to slow biological aging and add an average of six years onto your life new

a step by step guide for shifting to a healthier eating pattern - Feb 23 2022

web nov 8 2023 processed sugars trans fats present in many fried or processed foods fatty red meat dairy butter milk refined oils such as corn canola and vegetable oil

boost your eye health daily with these 10 tricks cnet - Sep 08 2020

the preliminary results from npr s body electric and columbia - Apr 15 2021

web 18 hours ago climate change makes life more expensive food housing labor it all gets pricier as the earth heats up

according to the national climate assessment climate

[8 ways to slow your biological aging a new report explains how](#) - Jul 19 2021

web 12 hours ago the more vigorous activities correlated to greater heart health benefits the researchers found even standing and sleeping had better cardiovascular effects than

[25 simple tips to make your diet healthier](#) - Jun 10 2023

web the answer is yes change is always possible and a person is never too out of shape overweight or old to make healthy changes this fact sheet offers strategies to help you

how to change a habit 13 steps with pictures [wikihow](#) - Oct 10 2020

[100 small changes you can make to improve your health](#) - May 29 2022

web support your health and eliminating those that cause inflammation and weight gain we help you gain an understanding of your body s specific needs what foods will actually

10 hacks to naturally boost your eye health [cnet](#) - Sep 20 2021

web apr 21 2022 here are some general oral hygiene instructions to keep your smile healthy brush your teeth at least twice a day use fluoride toothpaste and a soft bristled

[changing your habits steps to better health](#) [hope4health](#) - Mar 27 2022

web nov 6 2023 the checklist includes getting good sleep abstaining from smoking engaging in regular physical activity eating a healthy diet maintaining a healthy weight having

changing your habits steps to better health [adph org](#) - Aug 12 2023

you are making real changes to your lifestyle which is fantastic to stick with your new habits 1 review your plan 2 look at the goals you set and how well you see more

changing your habits for better health start today with these 5 - Oct 02 2022

web nov 2 2016 1 cut out soda 2 cut out juices 3 drink more water 8 8 oz cups per day 4 walk to work if distance permits 5 get a gym membership 6 come up with a

[changing your habits steps to better health full pdf](#) - Jun 17 2021

web nov 10 2023 1 monitor blood sugar levels before starting your night routine check your blood sugar levels to gauge where they are at and determine any necessary adjustments

fuse box diagram chevrolet impala 2000 2005 - Jun 11 2023

web fuse box diagram location and assignment of electrical fuses and relays for chevrolet chevy impala 2000 2001 2002 2003 2004 2005

solved fuse box diagram fixya - Dec 25 2021

web 2009 chevrolet impala fuse box diagram startmycar startmycar com impala fuse box the 2009 chevrolet impala has 2 different fuse boxes instrument panel fuse block diagram underhood fuse block diagram chevrolet impala fuse box chevrolet impala 2006 2013 fuse box diagram auto

chevrolet impala mk8 eighth generation 2000 2006 fuse box diagram - Feb 24 2022

web oct 6 2021 chevrolet impala mk8 eighth generation 2000 2006 fuse box diagram jonathan yarden oct 06 2021 5 min read in this article you will find a description of fuses and relays chevrolet with photos of block diagrams and their locations

2015 chevrolet impala fuse box diagrams dot report - Apr 28 2022

web dot report chevrolet impala 2015 fuse box dot report provides a detailed list of fuse box diagrams relay information and fuse box location information for the 2015 chevrolet impala click on an image to find detailed resources for that fuse box or watch any embedded videos for location information and diagrams for the fuse boxes of your vehicle

chevrolet impala ix 2006 2016 fuse box diagrams schemes - Mar 28 2022

web chevrolet impala ix 2006 2016 fuse box diagrams schemes years of production 2006 2007 2008 2009 2010 2011 2012 2013 2014 2015 2016 table of contents instrument panel fuse block underhood fuse block

chevrolet impala 2006 2013 fuse box diagrams youtube - Nov 04 2022

web mar 3 2020 more about chevy impala fuses see our website fusecheck com chevrolet chevr fuse box diagram chevy impala ls ltz and ss ix 2006 2007 2008 2009 2010 2 more more

fuse box diagram chevrolet - Jan 26 2022

web chevrolet impala 2014 2020 fuse box diagram location and assignment of electrical fuses and relays for chevrolet chevy impala 2014 2015 2016 2017 2018 2019 2020

fuse box chevrolet impala fusesdiagram com - Mar 08 2023

web legend fuse box in passenger compartment chevrolet impala fuse box location the fuse block is on the passenger side of the vehicle in the carpet molding remove the fuse block door to access the fuses fuse box layout locate fuse and relay fuse box diagram identifying and legend fuse box chevrolet impala 2006 2013

chevrolet impala mk10 tenth generation from 2014 fuse box diagram - Dec 05 2022

web oct 6 2021 chevrolet impala mk10 tenth generation from 2014 fuse box diagram jonathan yarden oct 06 2021 5 min read in this article you will find a description of fuses and relays chevrolet with photos of block diagrams and their locations highlighted the cigarette lighter fuse as the most popular thing people look for

chevrolet impala x 2014 2018 fuse box diagrams schemes - May 30 2022

web chevrolet impala x 2014 2018 fuse box diagrams schemes years of production 2014 2015 2016 2017 2018 table of

contents engine compartment fuse block instrument panel fuse block information about the model related diagrams schemes
chevrolet impala ix 2006 2016 fuse box engine compartment fuse block

chevrolet impala mk9 ninth generation 2006 2014 fuse box diagram - Aug 01 2022

web oct 6 2021 chevrolet impala mk9 ninth generation 2006 2014 fuse box diagram jonathan yarden oct 06 2021 5 min read
in this article you will find a description of fuses and relays chevrolet with photos of block diagrams and their locations

fuse box diagram chevrolet impala 2014 2020 - Sep 14 2023

web here you will find fuse box diagrams of chevrolet impala 2014 2015 2016 2017 2018 2019 and 2020 get information
about the location of the fuse panels inside the car and learn about the assignment of each fuse fuse layout and relay see
other chevrolet impala chevrolet impala 2000 2005 chevrolet impala 2006 2013

▯ *chevrolet impala 2006 2013 fuse box diagram fuses guru* - Jan 06 2023

web mar 25 2021 in this article you will find a description of fuses and relays chevrolet with photos of block diagrams and
their locations highlighted the cigarette lighter fuse as the most popular thing people look for get tips on blown fuses
replacing a fuse and more

fuse box location and diagrams chevrolet impala 2014 2018 - Feb 07 2023

web dec 24 2018 see more on our website fuse box info chevrolet chevrolet impala 2014 2018 fuses and relayfuse box
diagram location and assignment of electrical fu

2007 chevrolet impala fuse box diagram startmycar - Jun 30 2022

web doesn't match your car ask for your diagram found a mistake let us know source chevrolet impala 2007 owner's manual
chevrolet impala 2006 2013 fuse diagram fusecheck.com - Jul 12 2023

web fuse box diagram fuse layout location and assignment of fuses and relays chevrolet impala ix 2006 2007 2008 2009 2010
2011 2012 2013 checking and replacing fuses the wiring circuits in your vehicle are protected from short circuits by a
combination of fuses and circuit breakers

chevrolet impala 2006 2014 fuse box diagram - Oct 03 2022

web feb 7 2018 chevrolet impala 2006 2014 fuse box diagram year of production 2006 2007 2008 2009 2010 2011 2012
2013 2014 instrument panel fuse block the fuse block is located on the passenger side of the vehicle in the carpet molding

[chevrolet impala 2014 2016 fuse box diagram](#) - Sep 02 2022

web feb 7 2018 electrical distribution fuse panel chevrolet impala 2014 2016 fuse box diagram year of production 2014
2015 2016 engine compartment fuse block the engine compartment fuse block is on the driver side of the engine
compartment near the

fuse box location and diagrams chevrolet impala 2006 2013 - Nov 23 2021

web dec 24 2018 see more on our website fuse box info chevrolet chevr fuse box diagram location and assignment of electrical fuses and relays for chevrolet impala 2006 2007 2008 2009 2010 2011

fuse box diagram chevrolet impala 2006 2013 - Aug 13 2023

web here you will find fuse box diagrams of chevrolet impala 2006 2007 2008 2009 2010 2011 2012 and 2013 get information about the location of the fuse panels inside the car and learn about the assignment of each fuse fuse layout and relay

chevrolet impala 2006 2013 fuse box diagram auto genius - Apr 09 2023

web mar 10 2019 passenger compartment fuse box 53 60 antilock brake system abs motor 54 40 starter 55 60 secondary air injection pump relay 56 60 antilock brake system abs motor 57 40 rear window defogger 58 60 passenger compartment fuse box 59 30 cooling fan relay no 1 60 30 cooling fan relay no 2 cooling fan

fuse box location and diagrams chevrolet impala 2000 2005 - Oct 23 2021

web apr 11 2019 7 years ago 1 year ago see more on our website fuse box info chevrolet chevrolet impala 2000 2005 fuses and relay fuse box diagram location and assignment of electrical

chevrolet impala fuse box diagrams for all years startmycar - May 10 2023

web fuse box and relays diagrams explore interactive fuse box and relay diagrams for the chevrolet impala fuse boxes change across years pick the year of your vehicle