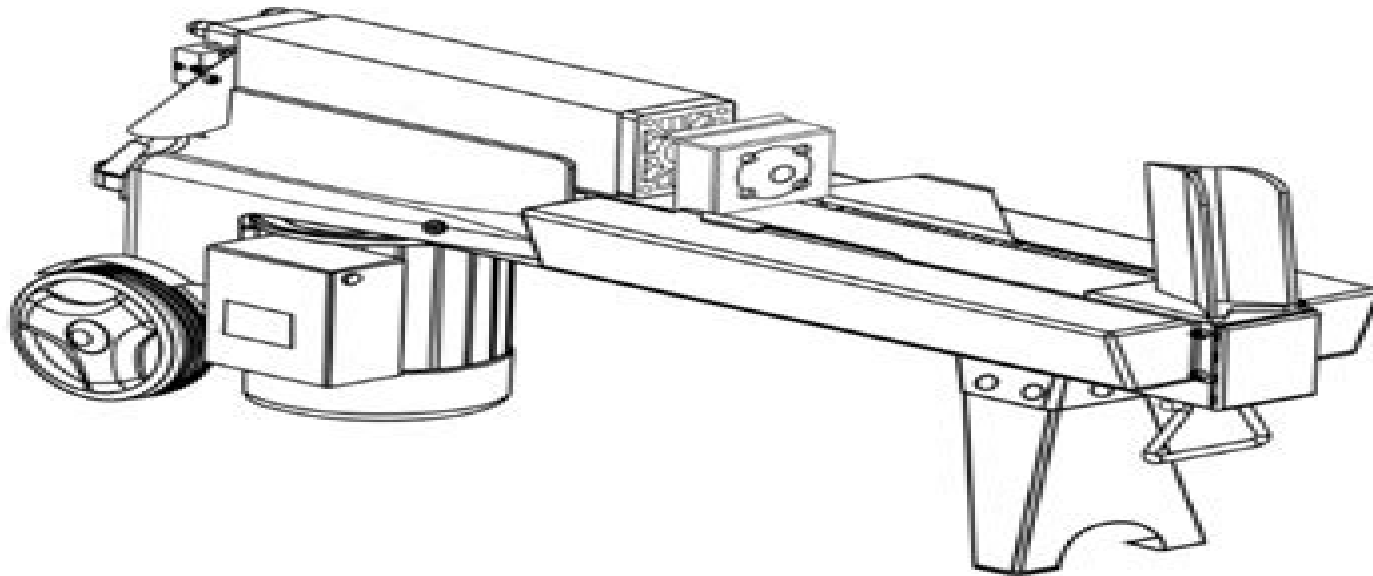


# **5-TON LOG SPLITTER OWNER'S MANUAL**



**⚠ WARNING:** Read carefully and understand **RULES FOR SAFE OPERATION** and instructions before operating. Failure to follow the safety rules and other basic safety precautions may result in serious personal injury.

**Item #334842**

# Philips Log Splitter User Manual

**Marco Casella**



# Philips Log Splitter User Manual

[amazon it calligrafia corsivo](#) - Mar 30 2022

web quaderno di calligrafia per adulti bambini e anziani impara a scrivere con questo libro di calligrafia impara a scrivere in italiano migliora e testi per migliorare la tua calligrafia di daniel valcarce

**il quaderno del corsivo inglese libro macrolibrarsi** - Jan 08 2023

web agnieszka kossowska insegna con questo quaderno di lavoro come scrivere in una grafia sinuosa ad elegante con pennino e inchiostro il carattere corsivo inglese nella metà del settecento lo sviluppo economico in inghilterra e la rivoluzione industriale trasformano profondamente anche l'industria della stampa

**il quaderno del corsivo inglese associazione editori veneti** - Apr 11 2023

web il quaderno del corsivo inglese per scrivere in bella calligrafia nella metà del settecento lo sviluppo economico in inghilterra e la rivoluzione industriale trasformano profondamente anche l'industria della stampa

*il quaderno del corsivo inglese per scrivere in bella calligrafia* - May 12 2023

web dec 1 2015 non mi stancherò mai di lodare i quaderni di agnieszka kossowska semplici per il neofita curati con tanti esercizi e con una parte introduttiva sufficiente per capire il contesto storico formato molto adatto al trasporto per essere letto in qualunque luogo e anche nei ritagli di tempo per esempio nella pausa pranzo

*amazon it il quadernino del corsivo* - Aug 03 2022

web il quaderno dei dinosauri per scuola università e tempo libero ideale per annotare pensieri prendere appunti e scrivere in corsivo bambini e ragazzi di guendalina bosco 5 0 su 5 stelle 4

**loading interface goodreads** - Jun 01 2022

web discover and share books you love on goodreads

**prova il quaderno del corsivo inglese** - Mar 10 2023

web il quaderno del corsivo inglese la grafia dei professionisti della bella scrittura con spiegazioni esempi ed esercizi pratici di agnieszka kossowska kellermann editore

[quaderno del corsivo in pdf da stampare pianetabambini it](#) - Apr 30 2022

web sep 27 2022 le lettere del quaderno del corsivo l'elenco che segue vi permetterà di accedere a tutto il materiale di pregrafismo delle lettere di cui avrete bisogno nel corso del primo anno della scuola primaria

**quaderni il quaderno del corsivo inglese kellermann editore** - Jul 14 2023

web il quaderno del corsivo inglese la grafia dei professionisti della bella scrittura con spiegazioni esempi ed esercizi pratici di agnieszka kossowska kellermann editore

il quaderno del corsivo inglese per scrivere in bella calligrafia - Dec 07 2022

web il quaderno del corsivo inglese per scrivere in bella calligrafia pubblicato da kellermann dai un voto prezzo online 9 00 o 3 rate da 3 00 senza interessi disponibilità immediata la disponibilità è espressa in giorni lavorativi e fa riferimento ad un singolo pezzo 18 punti carta payback formati disponibili rilegato 15 20

**amazon it recensioni clienti il quaderno del corsivo inglese** - Sep 04 2022

web consultare utili recensioni cliente e valutazioni per il quaderno del corsivo inglese su amazon it consultare recensioni obiettive e imparziali sui prodotti fornite dagli utenti

**il quaderno del corsivo inglese cartoidea** - Jan 28 2022

web il quaderno del corsivo inglese cartoidea casa creatività scrittura creativa libri il quaderno del corsivo inglese il quaderno del corsivo inglese 0 ancora non ci sono recensioni 9 00 per sviluppare uno stile raffinato oltre alle spiegazioni numerosi esempi dotato di spazio per gli esercizi di scrittura aggiungi al carrello

il quaderno del corsivo inglese per scrivere in bella calligrafia - Feb 09 2023

web il quaderno del corsivo inglese per scrivere in bella calligrafia è un libro a cura di a kossowaska pubblicato da kellermann editore nella collana i quaderni acquista su ibs a 9 00

**il quaderno del corsivo inglese kossowska a amazon it libri** - Aug 15 2023

web dalla fine del 700 ai primi dell ottocento le tecniche di riproduzione a stampa cominciarono a togliere terreno alla scrittura a mano la calligrafia italiana o inglese riuscì a mantenere un ruolo proprio per la ricercatezza della forma e la raffinatezza delle sue applicazioni

**il quaderno del corsivo inglese per scrivere in bella calligrafia** - Jul 02 2022

web il quaderno del corsivo inglese per scrivere in bella calligrafia kossowaska a amazon de books

il quaderno del corsivo inglese per scrivere in bella calligrafia - Nov 06 2022

web buy il quaderno del corsivo inglese per scrivere in bella calligrafia by online on amazon ae at best prices fast and free shipping free returns cash on delivery available on eligible purchase

**il quaderno del corsivo inglese per scrivere in bella calligrafia** - Oct 05 2022

web il quaderno del corsivo inglese per scrivere in bella calligrafia kossowaska a isbn 9788867670338 kostenloser versand für alle bücher mit versand und verkauf durch amazon

**il quaderno del corsivo inglese per scrivere in bella calligrafia** - Jun 13 2023

web il quaderno del corsivo inglese per scrivere in bella calligrafia amazon com tr

*il quaderno del corsivo inglese 2 brb org - Dec 27 2021*

web e il tentativo è molto lontano dall'originale il corsivo inglese segni base parte i corsivo inglese lettera a minuscola la storia del corsivo come cambiare scrittura scrivere bene video le basi del corsivo inglese

**il quaderno del corsivo inglese** - Feb 26 2022

web il quaderno del corsivo inglese la rivista botteghe oscure e marguerite caetani la scrittura da ritrovare compendio d algebra teorico pratica ad uso dei corsi tecnici e liceali e delle scuole militari pubblicati per cura di a c il primo passo all inglese ossia the english narrator con traduzione letterale e colla

**incest taboo stories top rated literotica** - Mar 09 2023

web sep 11 2023 incest taboo stories top rated erotic stories incest taboo top top rated stories submitted in today last 7 last 30 days 4 66 snowbound 09 07 23 hiking

**taboo stories wattpad** - Dec 06 2022

web read the most popular taboo stories on wattpad the world's largest social storytelling platform

*taboo stories lush stories* - Nov 05 2022

web it was a small couch susan had her head resting on one of the armrests of the couch and her toes were almost touching the other armrest incest fantasy nudist taboo family

*taboo sex stories a z quality erotic and sex stories* - May 31 2022

web nov 17 2022 a mom gets caught by her daughter and then by two teens as she is taken by a doggie a mother and daughter tag team match a mother and her lesbian lover try

*taboo stories by niche a sex stories* - Feb 08 2023

web sep 13 2023 first time with sis after 4 years away i return to discover sister has grown into a world class hottie close encounters naked showers and taboo sex makes a very

*taboo literotica com* - Jun 12 2023

web jul 30 2023 fine works nate and kaya keep exploring each other twins get a little too excited too close to each other the desires that arise which is more enjoyable

**taboo sex stories literotica** - Aug 02 2022

web sep 13 2023 five stars and a favorite point sex4lf57 on the preacher's daughter 1 i love romantic stories like this that don't have 10 cocks and 44eee tits five stars and a

*taboo stories lush stories* - May 11 2023

web taboo stories taboo sex stories relate to the restrictions placed on sexual activities and relationships sex outside of marriage adultery intermarriage often the term is used for

[taboo literotica com](#) - Jul 13 2023

web sep 9 2023 is there more to the new student than appears ffiction brings catryn home for christmas son tries seducing mom but what about his sister a mother and son are

**taboo sex stories literotica** - Aug 14 2023

web sep 13 2023 free incest and taboo sex stories from literotica includes short fiction as well as novels change picture  
*free sex stories erotic stories xnxx com* - Sep 03 2022

web free sex stories erotic stories xnxx com information true story alien 819 anal 12623 asian 1482 ass to mouth 2768 ass to pussy 795 authoritarian 2602 bdsm

*incest fantasies lush stories* - Apr 29 2022

web incest fantasies incest stories are concerned with relationships among siblings other family members or closely related persons incest is defined as sexual relations between

*taboo and incest sex stories xxx family affairs* - Apr 10 2023

web sep 4 2023 man thinks he is meeting his longtime lover for 3some but she has a surprise jim had been dating a woman from a city a little over 2 hours from him they met in an

**young literotica com** - Mar 29 2022

web sep 8 2023 their new found love continues farewell to the ruby acquiring new girls amy vs the sea monster the sweet seduction of his son s girlfriend my husband

**daddy daughter relationship archive of our own** - Jul 01 2022

web taboo lactation kink cheating summary when harry and his wife stays with their lactating daughter sam he didn t expect to peep on her and find out that she harboured

**taboo quality erotic and sex stories** - Dec 26 2021

web asstr porn sex stories taboo teen a young college student begins an affair with her older step brother okay this is the short version of the story my brother and i had always

[taboo sex stories men and women on the most taboo thing](#) - Jan 27 2022

web sep 30 2019 taboo tales is an instagram account that has real people write in about there most taboo stories the slogan of the account is the more we all talk about how

**incest and taboo sex stories the underground sex club** - Oct 04 2022

web incest and taboo sex stories read and create fun sexy and erotic sex stories for the category incest and taboo

[taboo sex stories taboostories com](#) - Feb 25 2022

web taboo stories is so explicit it is our priority to restrict access to minors providing your billing information helps us to

verify that you are over the age of 18 i don t want any adult

[free family sex stories incest within the family onlysexstories](#) - Jan 07 2023

web read all our family sex stories about incest within the family sex between moms dads sisters daughters sons nephews grandma and more incest and dirty taboo stories

**indoor liquid chiller with integrated hydraulic module** - Jun 03 2022

web envelope of the chiller with this in mind trane builds the chillers to make the most efficient use of the available installation space the compact indoor aquastream<sup>2</sup> range chiller is an excellent choice for any retrofit or replacement job it is smaller than most chillers it might replace and easier to fit into existing buildings all

**trane chiller pdf heat pump gas compressor scribd** - Apr 01 2022

web 5 trane rotary screw air cooled chiller 100 ton model rtaa 1004xf01a1cokbdfn s n u96d33776 2 trane compressors model chhn050 84 amp draw 460 volt each 10 fans 2 1 2 hp 1 5 amp draw 460 volt overall dimensions 87 in h x 207 in l x 90 in w model rtaa 1004xf01a1cokbdfn serial no u96d33776

*products scroll air cooled chillers ecgcl trane hong kong* - Oct 07 2022

web thermal insulation of the water connections and of the evaporator loss of water flow protection provided by a differential pressostat operation up to 40 c external temperature shipped with rubber pads centrifugal fans which allow to obtain a static pressure up to 500 pa a resistance heater placed on the evaporator to avoid freeze up

[products model cvgf](#) - Jul 04 2022

web the basic gear driven centrifugal water chiller design was introduced in 1976 and has been proven in thousands of installations trane continues to deliver its reliability and energy fi tness commitment on its newest line of gear drive centrifugal water chillers the model cvgf the major advantages of the model cvgf are high reliability

**air cooled scroll chillers model cgam trane heating air** - Jul 16 2023

web 2023 trane cg svx063a en introduction read this manual thoroughly before operating or servicing this unit warnings cautions cgam air cooled scroll packaged chiller digit 5 6 7 nominal tonnage 020 20 tons 026 26 tons 030 30 tons 035 35 tons 040 40 tons 052 52 tons 060 60 tons 070 70 tons 080 80 tons

*air water chillers trane heating air conditioning* - Oct 19 2023

web trane models cgcm are air cooled water chillers with centrifugal plug fan and hermetic scroll compressors suitable for indoor installation in buildings with air ducted intake and discharge the units are available both with vertical and horizontal discharge cgcm chillers are available in 14 sizes and in the following versions energy versions

[trane cgcn chiller installation operation maintenance manualslib](#) - Jan 10 2023

web chiller trane cgam installation operation manual air cooled scroll chillers 20 130tons 152 pages chiller trane cgad020c

manual liquid chillers air cooled scroll compressor 20 to 150 tons 33 pages chiller trane aquastream cgwn 205 installation operation maintenance indoor liquid chiller with integrated hydraulic module 64 pages

*chillers trane heating air conditioning* - Sep 18 2023

web trane chillers air cooled chillers cgam air cooled scroll chiller at a glance capacity range 20 to 130 tons 50 and 60 hz refrigerant r 410a energy efficiency rating eer iplv 13 7 16 6 high efficiency 14 5 16 9 extra high efficiency sintesis air cooled chillers at a glance capacity range 115 to 520 tons

**air cooled water chiller with centrifugal fans** - Apr 13 2023

web surveillance of the chiller if a safety function is activated an output via a dry contact is provided inputs are available to partially or completely stop the operation of the chiller an analog input 4 20 ma or 0 10 v allows for the adjustment of the chilled water temperature setpoint remote control via serial link it is possible to

*chillers trane* - Feb 28 2022

web terms of use privacy policy all trademarks referenced are the trademarks of their respective owners 2023 trane all rights reserved

*installation operation and maintenance cold generator* - May 14 2023

web chillers model cgwr and ccar 20 to 75 tons 60 hz water cooled and compressor chillers installation operation and maintenance april 2020 cg svx038d en trane believes that responsible refrigerant practices are important to the environment our customers and the air conditioning industry

**product catalog air cooled scroll chillers model cgam made** - Jun 15 2023

web 2023 trane cg prc017u en introduction design and manufacturing excellence makes trane a leader in the air cooled chiller market place this tradition of using excellence to meet market demands is illustrated with the trane 20 to 130 ton air cooled scroll chiller this next generation chiller is an exciting step forward in energy efficiency

**installation operation and maintenance air cooled scroll chillers** - Aug 17 2023

web air cooled scroll chillers model cgam 20 to 130 tons made in usa installation operation and maintenance march 2021 cg svx17m en model cgam 2021 trane cg svx17m en introduction read this manual thoroughly before operating or servicing this unit warnings cautions and notices

**products chillers trane hong kong** - Sep 06 2022

web the extensive trane chiller product line was developed based on decades of knowledge and industry leadership and includes centrifugal helical rotary and scroll compressor chillers ranging in capacities from 20 to 4 000 tons trane chillers are relied upon for both comfort and process applications in every corner of the world trane products

**air cooled chillers trane commercial** - Aug 05 2022



web sintesis chillers are among our most environmentally conscious and sustainable air cooled units they are the first air cooled chillers from trane to offer customers the choice of either r 134a or r 513a a next generation low global warming potential gwp refrigerant this gives customers the option to choose when to transition to a

*air cooled chillers trane technologies* - Dec 09 2022

web trane s air cooled chiller lineup gives you the flexibility to choose from a wide range of capacities and features from outstanding efficiency to amazing acoustics to occupant comfort and well being you can have it all in varying degrees get the results you need

*cgam air cooled chiller trane commercial* - May 02 2022

web the cgam chiller use trane proprietary strategies to respond to normal extreme or adverse conditions the sophisticated algorithms intelligently maximize uptime while protecting equipment from damage the chiller manages time of day scheduling for small office buildings or schools without a building automation system

**cold generator scroll chillers cgwr series trane heating** - Feb 11 2023

web trane commercial hvac chillers cold generator scroll chillers cold generator scroll chillers cgwr series select cold generator scroll chillers cgwr capacity range from 20 to 75 tons highly efficient water cooled comfort and process cooling solution

product catalog air cooled scroll chillers model cgam made - Mar 12 2023

web product catalog 2022 trane cg prc017r en introduction design and manufacturing excellence makes trane a leader in the air cooled chiller market place this tradition of using excellence to meet market demands is illustrated with the trane 20 to 130 ton air cooled scroll chiller

*controller user guide for cgcm cxcm chillers and heat pumps* - Nov 08 2022

web tice trane explicitly rejects any liability for any direct or indirect damage in the broadest sense of the term arising from or related to the use and or interpretation of this publication it is strongly recommended to sign a maintenance contract with an authorized service center to ensure an efficient and trouble free

When somebody should go to the book stores, search initiation by shop, shelf by shelf, it is truly problematic. This is why we offer the books compilations in this website. It will totally ease you to see guide **Philips Log Splitter User Manual** as you such as.

By searching the title, publisher, or authors of guide you in fact want, you can discover them rapidly. In the house, workplace, or perhaps in your method can be every best area within net connections. If you target to download and install the Philips Log Splitter User Manual, it is categorically easy then, back currently we extend the associate to purchase and make bargains to download and install Philips Log Splitter User Manual consequently simple!

[https://offsite.creighton.edu/files/virtual-library/Documents/hooked\\_on\\_phonics\\_customer\\_support.pdf](https://offsite.creighton.edu/files/virtual-library/Documents/hooked_on_phonics_customer_support.pdf)

[https://offsite.creighton.edu/files/virtual-library/Documents/how\\_to\\_become\\_a\\_drummer.pdf](https://offsite.creighton.edu/files/virtual-library/Documents/how_to_become_a_drummer.pdf)

[https://offsite.creighton.edu/files/virtual-library/Documents/how\\_did\\_robert\\_kardashian\\_get\\_rich.pdf](https://offsite.creighton.edu/files/virtual-library/Documents/how_did_robert_kardashian_get_rich.pdf)

## **Table of Contents Philips Log Splitter User Manual**

1. Understanding the eBook Philips Log Splitter User Manual
  - The Rise of Digital Reading Philips Log Splitter User Manual
  - Advantages of eBooks Over Traditional Books
2. Identifying Philips Log Splitter User Manual
  - Exploring Different Genres
  - Considering Fiction vs. Non-Fiction
  - Determining Your Reading Goals
3. Choosing the Right eBook Platform
  - Popular eBook Platforms

- Features to Look for in an Philips Log Splitter User Manual
- User-Friendly Interface
- 4. Exploring eBook Recommendations from Philips Log Splitter User Manual
  - Personalized Recommendations
  - Philips Log Splitter User Manual User Reviews and Ratings
  - Philips Log Splitter User Manual and Bestseller Lists
- 5. Accessing Philips Log Splitter User Manual Free and Paid eBooks
  - Philips Log Splitter User Manual Public Domain eBooks
  - Philips Log Splitter User Manual eBook Subscription Services
  - Philips Log Splitter User Manual Budget-Friendly Options
- 6. Navigating Philips Log Splitter User Manual eBook Formats
  - ePub, PDF, MOBI, and More
  - Philips Log Splitter User Manual Compatibility with Devices
  - Philips Log Splitter User Manual Enhanced eBook Features
- 7. Enhancing Your Reading Experience
  - Adjustable Fonts and Text Sizes of Philips Log Splitter User Manual
  - Highlighting and Note-Taking Philips Log Splitter User Manual
  - Interactive Elements Philips Log Splitter User Manual
- 8. Staying Engaged with Philips Log Splitter User Manual
  - Joining Online Reading Communities
  - Participating in Virtual Book Clubs
  - Following Authors and Publishers Philips Log Splitter User Manual
- 9. Balancing eBooks and Physical Books Philips Log Splitter User Manual
  - Benefits of a Digital Library
  - Creating a Diverse Reading Collection Philips Log Splitter User Manual
- 10. Overcoming Reading Challenges
  - Dealing with Digital Eye Strain
  - Minimizing Distractions
  - Managing Screen Time
- 11. Cultivating a Reading Routine Philips Log Splitter User Manual

- Setting Reading Goals Philips Log Splitter User Manual
- Carving Out Dedicated Reading Time
- 12. Sourcing Reliable Information of Philips Log Splitter User Manual
  - Fact-Checking eBook Content of Philips Log Splitter User Manual
  - Distinguishing Credible Sources
- 13. Promoting Lifelong Learning
  - Utilizing eBooks for Skill Development
  - Exploring Educational eBooks
- 14. Embracing eBook Trends
  - Integration of Multimedia Elements
  - Interactive and Gamified eBooks

### **Philips Log Splitter User Manual Introduction**

In today's digital age, the availability of Philips Log Splitter User Manual books and manuals for download has revolutionized the way we access information. Gone are the days of physically flipping through pages and carrying heavy textbooks or manuals. With just a few clicks, we can now access a wealth of knowledge from the comfort of our own homes or on the go. This article will explore the advantages of Philips Log Splitter User Manual books and manuals for download, along with some popular platforms that offer these resources. One of the significant advantages of Philips Log Splitter User Manual books and manuals for download is the cost-saving aspect. Traditional books and manuals can be costly, especially if you need to purchase several of them for educational or professional purposes. By accessing Philips Log Splitter User Manual versions, you eliminate the need to spend money on physical copies. This not only saves you money but also reduces the environmental impact associated with book production and transportation. Furthermore, Philips Log Splitter User Manual books and manuals for download are incredibly convenient. With just a computer or smartphone and an internet connection, you can access a vast library of resources on any subject imaginable. Whether you're a student looking for textbooks, a professional seeking industry-specific manuals, or someone interested in self-improvement, these digital resources provide an efficient and accessible means of acquiring knowledge. Moreover, PDF books and manuals offer a range of benefits compared to other digital formats. PDF files are designed to retain their formatting regardless of the device used to open them. This ensures that the content appears exactly as intended by the author, with no loss of formatting or missing graphics. Additionally, PDF files can be easily annotated, bookmarked, and searched for specific terms, making them highly practical for studying or referencing. When it comes to accessing Philips Log Splitter User Manual books and manuals, several

platforms offer an extensive collection of resources. One such platform is Project Gutenberg, a nonprofit organization that provides over 60,000 free eBooks. These books are primarily in the public domain, meaning they can be freely distributed and downloaded. Project Gutenberg offers a wide range of classic literature, making it an excellent resource for literature enthusiasts. Another popular platform for Philips Log Splitter User Manual books and manuals is Open Library. Open Library is an initiative of the Internet Archive, a non-profit organization dedicated to digitizing cultural artifacts and making them accessible to the public. Open Library hosts millions of books, including both public domain works and contemporary titles. It also allows users to borrow digital copies of certain books for a limited period, similar to a library lending system. Additionally, many universities and educational institutions have their own digital libraries that provide free access to PDF books and manuals. These libraries often offer academic texts, research papers, and technical manuals, making them invaluable resources for students and researchers. Some notable examples include MIT OpenCourseWare, which offers free access to course materials from the Massachusetts Institute of Technology, and the Digital Public Library of America, which provides a vast collection of digitized books and historical documents. In conclusion, Philips Log Splitter User Manual books and manuals for download have transformed the way we access information. They provide a cost-effective and convenient means of acquiring knowledge, offering the ability to access a vast library of resources at our fingertips. With platforms like Project Gutenberg, Open Library, and various digital libraries offered by educational institutions, we have access to an ever-expanding collection of books and manuals. Whether for educational, professional, or personal purposes, these digital resources serve as valuable tools for continuous learning and self-improvement. So why not take advantage of the vast world of Philips Log Splitter User Manual books and manuals for download and embark on your journey of knowledge?

### **FAQs About Philips Log Splitter User Manual Books**

How do I know which eBook platform is the best for me? Finding the best eBook platform depends on your reading preferences and device compatibility. Research different platforms, read user reviews, and explore their features before making a choice. Are free eBooks of good quality? Yes, many reputable platforms offer high-quality free eBooks, including classics and public domain works. However, make sure to verify the source to ensure the eBook credibility. Can I read eBooks without an eReader? Absolutely! Most eBook platforms offer webbased readers or mobile apps that allow you to read eBooks on your computer, tablet, or smartphone. How do I avoid digital eye strain while reading eBooks? To prevent digital eye strain, take regular breaks, adjust the font size and background color, and ensure proper lighting while reading eBooks. What the advantage of interactive eBooks? Interactive eBooks incorporate multimedia elements, quizzes, and activities, enhancing the reader engagement and providing a more immersive learning experience. Philips Log Splitter User Manual is

one of the best book in our library for free trial. We provide copy of Philips Log Splitter User Manual in digital format, so the resources that you find are reliable. There are also many Ebooks of related with Philips Log Splitter User Manual. Where to download Philips Log Splitter User Manual online for free? Are you looking for Philips Log Splitter User Manual PDF? This is definitely going to save you time and cash in something you should think about. If you trying to find then search around for online. Without a doubt there are numerous these available and many of them have the freedom. However without doubt you receive whatever you purchase. An alternate way to get ideas is always to check another Philips Log Splitter User Manual. This method for see exactly what may be included and adopt these ideas to your book. This site will almost certainly help you save time and effort, money and stress. If you are looking for free books then you really should consider finding to assist you try this. Several of Philips Log Splitter User Manual are for sale to free while some are payable. If you arent sure if the books you would like to download works with for usage along with your computer, it is possible to download free trials. The free guides make it easy for someone to free access online library for download books to your device. You can get free download on free trial for lots of books categories. Our library is the biggest of these that have literally hundreds of thousands of different products categories represented. You will also see that there are specific sites catered to different product types or categories, brands or niches related with Philips Log Splitter User Manual. So depending on what exactly you are searching, you will be able to choose e books to suit your own need. Need to access completely for Campbell Biology Seventh Edition book? Access Ebook without any digging. And by having access to our ebook online or by storing it on your computer, you have convenient answers with Philips Log Splitter User Manual To get started finding Philips Log Splitter User Manual, you are right to find our website which has a comprehensive collection of books online. Our library is the biggest of these that have literally hundreds of thousands of different products represented. You will also see that there are specific sites catered to different categories or niches related with Philips Log Splitter User Manual So depending on what exactly you are searching, you will be able tochoose ebook to suit your own need. Thank you for reading Philips Log Splitter User Manual. Maybe you have knowledge that, people have search numerous times for their favorite readings like this Philips Log Splitter User Manual, but end up in harmful downloads. Rather than reading a good book with a cup of coffee in the afternoon, instead they juggled with some harmful bugs inside their laptop. Philips Log Splitter User Manual is available in our book collection an online access to it is set as public so you can download it instantly. Our digital library spans in multiple locations, allowing you to get the most less latency time to download any of our books like this one. Merely said, Philips Log Splitter User Manual is universally compatible with any devices to read.

### **Find Philips Log Splitter User Manual :**

*hooked on phonics customer support*

*how to become a drummer*

**how did robert kardashian get rich**

*how many books are in the blood and ash series*

*homework machine shel silverstein*

**how long does a hayward pool pump last**

how to become a signing agent in illinois

**honda civic sport 2000**

**how old is kirsten page**

homeopathic medicine for kids

homologous analogous structures

how did louis pasteur discover pasteurization

**how many lighthouses in rhode island**

*hospicing modernity pdf*

how many of queen victoria's grandchildren had hemophilia

**Philips Log Splitter User Manual :**